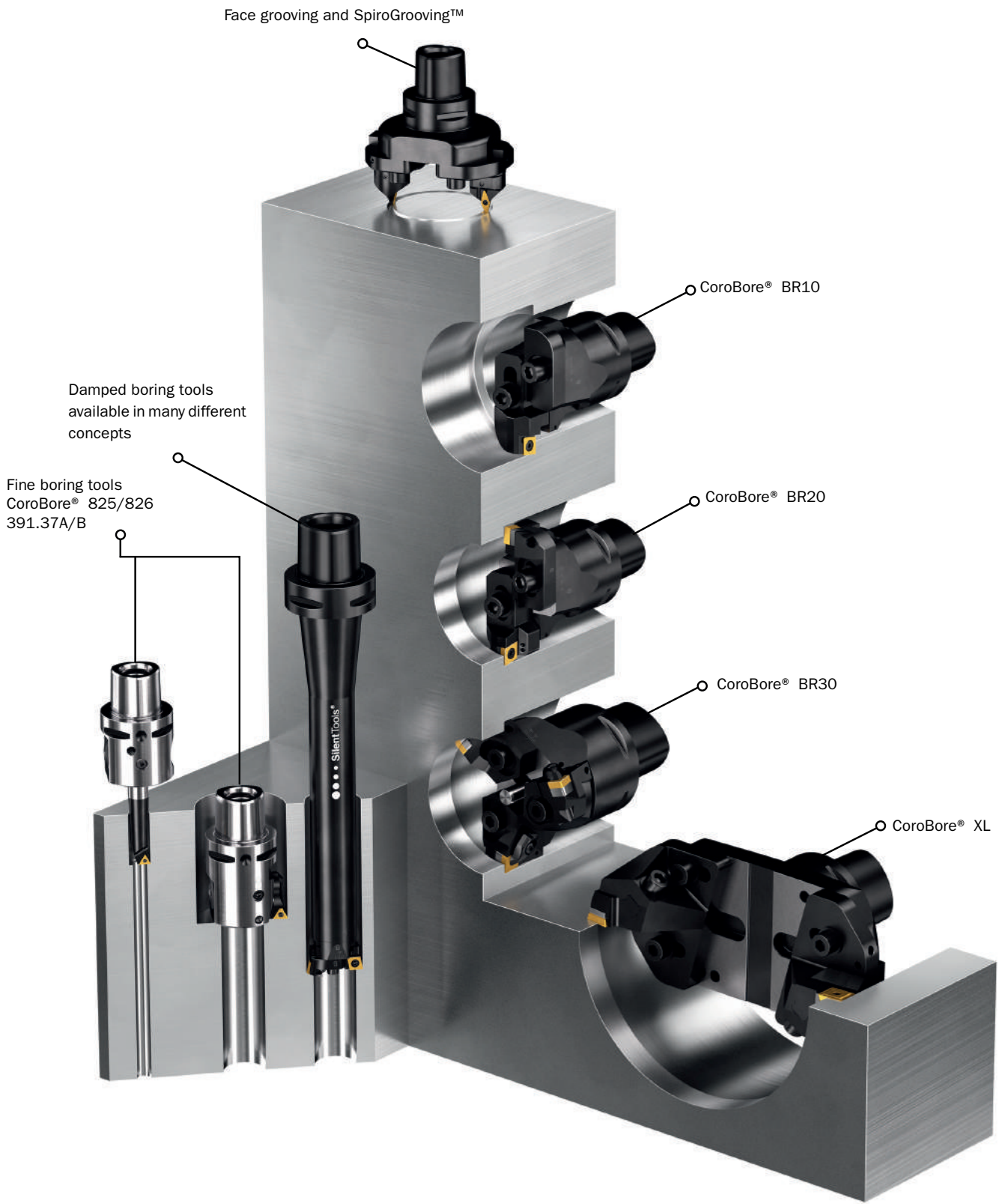


Boring systems

ROTATING BORING TOOLS



Boring



Face grooving and SpiroGrooving™

CoroBore® BR10

Damped boring tools
available in many different
concepts

Fine boring tools
CoroBore® 825/826
391.37A/B

CoroBore® BR20

CoroBore® BR30

CoroBore® XL

Silent Tools®

Rough boring	5
CoroBore® BR10	6
CoroBore® BR20	15
CoroBore® BR30	47
CoroBore® 820 XL	70
Fine boring	105
CoroBore® 824	106
Fine boring head	111
CoroBore® 826	122
CoroBore® 825	139
CoroBore® 825 XL	161
CoroBore® 826 XL	161
Face grooving	208
CoroCut® MB adaptor	209
CoroBore® 825 SL	211
SpiroGrooving™	230
Interpolation turning	241
Adaptors	249
CoroBore® cartridges for boring	255
Accessories	260
Additional information	262

How to choose your boring tool

Identify tool concepts

- 1
 - Define type of application
 - Identify your application type: roughing, finishing or face grooving. Note characteristics regarding the hole to be machined, limitations, material and the machine.
 - Select a boring system
 - Identify your operation type: multi-edge boring, single-edge boring, step-boring, backboring or external boring to find available diameter ranges and required accessories.

Note: Always try to use the largest applicable coupling. Remember to calculate the power and torque consumption of the application.

Select your insert

- 2
 - Choose the inserts depending on your hole requirements: define entering angle and insert type. Dedicated boring inserts can be found here in the boring chapter. ISO inserts are found in the general turning chapter of the Turning tools catalogue.
 - For information regarding start recommendations and insert recommendations for boring operations see page .

Selection of tooling systems components

- 3
 - If needed, find the complete selection of machine interface adaptors, extensions and reductions to build your modular assembly, see page .
 - Always try to keep the tools as short as possible.

Boring tool components

- Included parts and additional components can be found at www.sandvik.coromant.com

Accessories and spare parts

- Related accessories and spare parts to all boring tool families can be found at www.sandvik.coromant.com

How to choose a face grooving tool

Select your tool

- 1
 - The tool assembly without SL head and insert is chosen depending on your requirements of diameter and machine side coupling.

Selection of SL heads

- 2
 - Identify SL heads for face grooving:
 - The first cut diameter of the SL head needs to correspond to the diameter of the face grooving application.
 - The width of the groove will influence the choice of SL heads and inserts.
 - Use only SL heads with machine side interface SL32, left-hand, A-curved.
 - The SL head dimension LF=18 mm grants maximum diameter according to tool kit code. LF=14 mm reduces the diameter range of face grooving tool with 8 mm.
 - See CoroCut 1-2 in the Turning tools catalogue for SL head assortment.

Selection of inserts

- 3
 - Choose between CoroCut 1-2 system inserts.

Rough boring

	Tool concept	Diameter range, mm (inch)	Hole tolerance	Cutting edges	Operation	Insert choice	Machine side interface	Page
CoroBore® BR10 	Conventional	32-170 (1.260-6.693)	IT9	1	- Single edge back-boring	- CoroTurn® 107	- Coromant Capto® - Coromant EH	6-7
	CoroBore® BR20  	Conventional	23-150 (.906-5.906)	IT9	2	- Single edge back-boring - Boring - Step boring - Single edge boring	- CoroTurn® 107 - T-Max® P - CoroBore® 111	- Coromant Capto® - Coromant EH
	Damped	23-150 (.906-5.906)	IT9	2	- Boring - Step boring - Single edge boring	- CoroTurn® 107 - CoroBore® 111	- Coromant Capto®	23-25
CoroBore® BR30  Cavity boring 	Conventional	35-214 (1.378-8.425)	IT9	3	- Boring - Step boring - Single edge boring	- CoroTurn® 107 - T-Max® P - CoroBore® 111	- Coromant Capto®	47-52
	Conventional	85-205 (3.346-8.071)	IT9	4,6,8	- Boring - Step boring	- CoroTurn® 107* - CoroBore® 111	- Coromant Capto®	53
CoroBore® 820   	Conventional	148-300 (350**) (5.827 - 11.811) (13.780**) 298-1260 (11.732 - 49.606)	IT9	2	- Boring - Step boring - Single edge boring	- CoroTurn® 107 - T-Max® P - CoroBore® 111	- Coromant Capto® - 40X with 4 bolt circle	70-72 75-78
	Lightweight	148-300 (5.827 - 11.811)	IT9	2	- Boring - Step boring - Single edge boring	- CoroTurn® 107 - CoroBore® 111	- 40S with 4 bolt circle	73
	Damped	148-300 (5.827 - 11.811)	IT9	2	- Boring - Step boring - Single edge boring	- CoroTurn® 107 - CoroBore® 111	- A33 damped adaptor	74

*Not included in kit, components to be ordered separately

**Components to be ordered separately

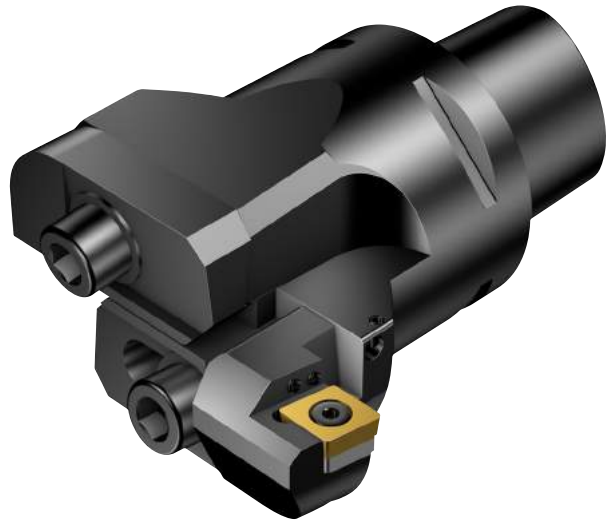
CoroBore® BR10

Single-edge back boring tools

Application

- Rough boring
- Back boring

ISO application area:



Benefits and features

- Laser-marked scale on adaptor for increased user-friendliness when setting diameter
- Possibility to easily be assembled as a twin edge boring tool, using BR20 slides
- Coolant nozzles with high precision capability built into slide for precise coolant direction
- Cutting fluid through the tool for good chip evacuation
- Modularity with Coromant Capto® and Coromant EH

www.sandvik.coromant.com/coroborebr10

Tools

Couplings:

- Coromant Capto®
- Coromant EH

Inserts

- Standard CoroTurn® 107 inserts with a wide selection of grades and geometries for all materials.

The back boring tool is based on the CoroBore® BR20 adaptor together with a unique back boring slide and cover.



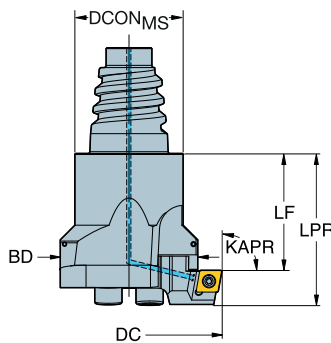
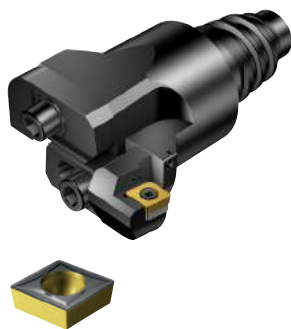
Available as complete back boring assembly kit or separate back boring slide and cover as additional items.



CoroBore® BR10 rough boring tool for back-boring

Coromant EH - Internal coolant supply

KAPR 90°



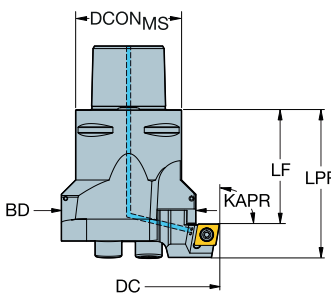
CCMT, CCGT
CCGX, CCET

CCMW

						Dimensions, mm, inch										
DCN	DCX			CZC _{MS}	CNSC	Ordering code	DCON _{MS}	ADJLX _{RDL}	LF	LPR	BD ₁			CICT	MIID	
32.00	38.00	06	1/4	E20	1	BR10-38CC06F-EH20	19.30	3.00	15.00	25.00	20.00	70	0.070	1	CCMT 06 02 04	
1.260	1.496						.760	.118	.591	.984	.787	1015				
37.00	45.00	06	1/4	E25	1	BR10-45CC06F-EH25	24.20	4.00	14.00	24.00	24.00	70	0.110	1	CCMT 06 02 04	
1.457	1.772						.953	.157	.551	.945	.945	1015				

Coromant Capto® - Internal coolant supply

KAPR 90°



CCMT, CCGT
CCGX, CCET

CCMW

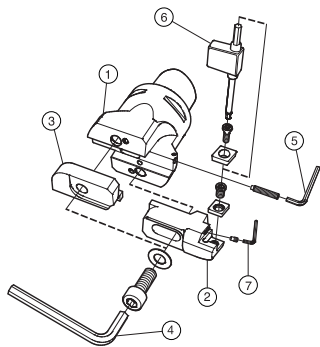
						Dimensions, mm, inch										
DCN	DCX			CZC _{MS}	CNSC	Ordering code	DCON _{MS}	ADJLX _{RDL}	LF	LPR	BD ₁			CICT	MIID	
44.00	54.00	06	1/4	C3	3	BR10-54CC06F-C3	32.00	5.00	35.00	45.00	30.00	70	0.560	1	CCMT 06 02 04	
1.732	2.126						1.260	.197	1.378	1.772	1.181	1015				
53.00	65.00	06	1/4	C4	3	BR10-65CC06F-C4	40.00	6.00	43.00	53.00	39.00	70	0.560	1	CCMT 06 02 04	
2.087	2.559						1.575	.236	1.693	2.087	1.535	1015				
64.00	76.00	09	3/8	C4	3	BR10-76CC09F-C4	40.00	6.00	43.00	58.00	39.00	70	0.560	1	CCMT 09 T3 08	
2.520	2.992						1.575	.236	1.693	2.283	1.535	1015				
75.00	91.00	12	1/2	C5	3	BR10-91CC12F-C5	50.00	8.00	48.00	68.00	50.00	70	0.860	1	CCMT 12 04 08	
2.953	3.583						1.969	.315	1.890	2.677	1.969	1015				
90.00	110.00	12	1/2	C5	3	BR10-110CC12F-C5	50.00	10.00	50.00	70.00	63.00	70	1.230	1	CCMT 12 04 08	
3.543	4.331						1.969	.394	1.969	2.756	2.480	1015				
109.00	136.00	12	1/2	C6	3	BR10-136CC12F-C6	63.00	13.50	68.00	88.00	82.00	70	2.080	1	CCMT 12 04 08	
4.291	5.354						2.480	.531	2.677	3.465	3.228	1015				
135.00	170.00	12	1/2	C6	3	BR10-170CC12F-C6	63.00	17.50	78.00	98.00	108.00	70	2.380	1	CCMT 12 04 08	
5.315	6.693						2.480	.689	3.071	3.858	4.252	1015				

For inserts, see Turning tools catalogue



Included parts

CoroBore® BR10 rough boring tool for back-boring



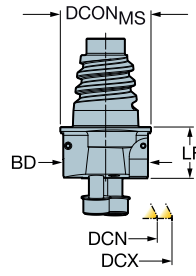
Coromant EH

	Included parts		Spare parts	Included parts
	1	2	3	4
Ordering code	Adaptor	Slide	Cover	Key
BR10-38CC06F-EH20	EH20-BR20-A-015	BR10-AA-CC06F-00	BR10-AC	3021 010-030
BR10-45CC06F-EH25	EH25-BR20-B-014	BR10-BA-CC06F-00	BR10-BC	3021 010-030
	Included parts			
	5	6		
Ordering code	Key	Key		
BR10-38CC06F-EH20	3021 012-013	5680 041-01		
BR10-45CC06F-EH25	3021 012-013	5680 041-01		

Coromant Capto®

	Included parts		Spare parts	Included parts
	1	2	3	4
Ordering code	Adaptor	Slide	Cover	Key
BR10-54CC06F-C3	C3-BR20-C-035	BR10-CA-CC06F-00	BR10-CC	3021 010-040
BR10-65CC06F-C4	C4-BR20-D-043	BR10-DA-CC06F-00	BR10-DC	3021 010-050
BR10-76CC09F-C4	C4-BR20-D-043	BR10-DB-CC09F-00	BR10-DC	3021 010-050
BR10-91CC12F-C5	C5-BR20-E-048	BR10-EA-CC12F-00	BR10-EC	3021 010-060
BR10-110CC12F-C5	C5-BR20-F-050	BR10-FA-CC12F-00	BR10-FC	3021 010-080
BR10-136CC12F-C6	C6-BR20-G-068	BR10-GA-CC12F-00	BR10-GC	3021 010-080
BR10-170CC12F-C6	C6-BR20-H-068	BR10-HA-CC12F-00	BR10-HC	3021 010-080
	Included parts			
	5	6	7	
Ordering code	Key	Key	Key	
BR10-54CC06F-C3	3021 012-015	5680 041-01		
BR10-65CC06F-C4	3021 012-015	5680 041-01		
BR10-76CC09F-C4	3021 012-015	5680 049-02		
BR10-91CC12F-C5	3021 012-020	5680 049-02	3021 012-015	
BR10-110CC12F-C5	3021 012-020	5680 049-02	3021 012-015	
BR10-136CC12F-C6	3021 010-025	5680 049-02	3021 012-015	
BR10-170CC12F-C6	3021 010-025	5680 049-02	3021 012-015	

Coromant EH to CoroBore® BR20 tool body



					Dimensions, mm, inch									
DCN	DCX	CZC _{MS}	CZC _{WS}	CNSC	Ordering code	DCON _{MS}	LF	LF ₂	WF	BD ₁	BAR PSI	NM	KG	
23.00	29.00	E20	AB	1	EH20-BR20-A-015	19.30	15.00	14.80	1.40	20.00	70	4.8	0.050	
.906	1.142					.760	.591	.583	.055	.787	1015			
28.00	36.00	E25	BB	1	EH25-BR20-B-014	24.20	14.00	13.80	2.55	24.00	70	4.8	0.070	
1.102	1.417					.953	.551	.543	.100	.945	1015			



289

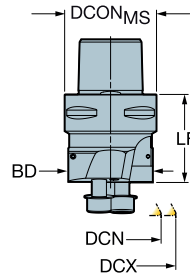


282

Coromant Capto® to CoroBore® BR20 tool body

STDNO

ISO26623-1



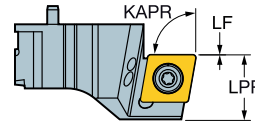
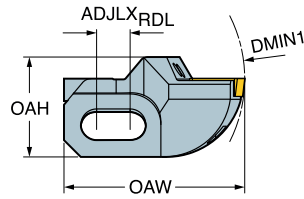
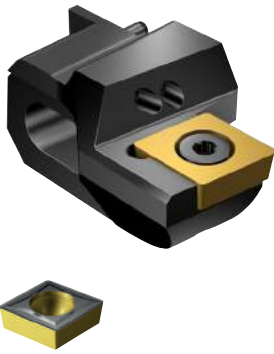
						Dimensions, mm, inch									
DCN	DCX	CZC _{MS}	CZC _{MS}	CNSC	Ordering code	DCON _{MS}	LF	LF	LF ₂	WF	WF	BD ₁	BAR PSI	KG	
23.00	29.00	C3	AB	3	C3-BR20-A-066	32.00	66.00	65.80		1.40	20.00	70	0.240		
.906	1.142					1.260	2.598	2.591		.055	.787	1015			
28.00	36.00	C3	BB	3	C3-BR20-B-072	32.00	72.00	71.80		2.55	24.00	70	0.320		
1.102	1.417					1.260	2.835	2.827		.100	.945	1015			
35.00	45.00	C3	CB	3	C3-BR20-C-035	32.00	35.00			2.50	30.00	70	0.210		
1.378	1.772					1.260	1.378			.098	1.181	1015			
35.00	45.00	C4	CB	3	C4-BR20-C-070	40.00	70.00	69.80		2.50	30.00	70	0.500		
1.378	1.772					1.575	2.756	2.748		.098	1.181	1015			
44.00	56.00	C4	DB	3	C4-BR20-D-043	40.00	43.00	42.80		4.50	39.00	70	0.420		
1.732	2.205					1.575	1.693	1.685		.177	1.535	1015			
44.00	56.00	C5	DB	3	C5-BR20-D-085	50.00	85.00	84.80		4.50	39.00	70	0.950		
1.732	2.205					1.969	3.346	3.339		.177	1.535	1015			
55.00	71.00	C5	EB	3	C5-BR20-E-048	50.00	48.00	47.70		6.25	50.00	70	0.720		
2.165	2.795					1.969	1.890	1.878		.246	1.969	1015			
55.00	71.00	C6	EB	3	C6-BR20-E-102	63.00	102.00	101.70		6.25	50.00	70	1.800		
2.165	2.795					2.480	4.016	4.004		.246	1.969	1015			
70.00	90.00	C5	FB	3	C5-BR20-F-050	50.00	50.00	49.70		8.00	62.00	70	0.874		
2.756	3.543					1.969	1.969	1.957		.315	2.441	1015			
70.00	90.00	C6	FB	3	C6-BR20-F-058	63.00	58.00	57.70		8.00	62.00	70	1.340		
2.756	3.543					2.480	2.283	2.272		.315	2.441	1015			
89.00	116.00	C6	GB	3	C6-BR20-G-068	63.00	68.00	67.70		12.00	82.00	70	1.740		
3.504	4.567					2.480	2.677	2.665		.472	3.228	1015			
89.00	116.00	C8	GB	3	C8-BR20-G-072	80.00	72.00	71.70		12.00	82.00	70	2.650		
3.504	4.567					3.150	2.835	2.823		.472	3.228	1015			
115.00	150.00	C6	HB	3	C6-BR20-H-068	63.00	68.00	67.70		27.00	106.00	70	1.960		
4.528	5.906					2.480	2.677	2.665		1.063	4.173	1015			
115.00	150.00	C8	HB	3	C8-BR20-H-078	80.00	78.00	77.70		27.00	106.00	70	3.210		
4.528	5.906					3.150	3.071	3.059		1.063	4.173	1015			



Slide-set for CoroBore® BR10

KAPR

90°



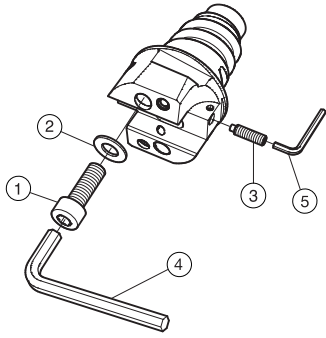
- CCMT, CCGT
CCGX, CCET
- CCMW

		Dimensions, mm, inch													
DMIN ₁		CZC _{MS}	CNCS	Ordering code	ADJLX _{RDL}	LF	LPR	WF	OAH	OAW			CICT	MIID	
32.0	06	1/4	AA	1	BR10-AA-CC06F-00	3.00	0.00	10.00	14.60	13.00	22.40	70	0.010	1	CCMT 06 02 04
1.260						.118	.000	.394	.575	.512	.882	1015			
37.0	06	1/4	BA	1	BR10-BA-CC06F-00	4.00	0.00	10.00	15.95	14.00	24.90	70	0.026	1	CCMT 06 02 04
1.457						.157	.000	.394	.628	.551	.980	1015			
44.0	06	1/4	CA	1	BR10-CA-CC06F-00	5.00	0.00	10.00	19.50	18.90	30.50	70	0.030	1	CCMT 06 02 04
1.732						.197	.000	.394	.768	.744	1.201	1015			
53.0	06	1/4	DA	1	BR10-DA-CC06F-00	6.00	0.00	10.00	22.00	21.50	35.50	70	0.046	1	CCMT 06 02 04
2.087						.236	.000	.394	.866	.846	1.398	1015			
64.0	09	3/8	DA	1	BR10-DB-CC09F-00	6.00	0.00	15.00	27.50	21.50	41.00	70	0.050	1	CCMT 09 T3 08
2.520						.236	.000	.591	1.083	.846	1.614	1015			
75.0	12	1/2	EA	1	BR10-EA-CC12F-00	8.00	0.00	20.00	31.25	26.80	47.50	70	0.090	1	CCMT 12 04 08
2.953						.315	.000	.787	1.230	1.055	1.870	1015			
90.0	12	1/2	FA	1	BR10-FA-CC12F-00	10.00	0.00	20.00	37.00	30.90	58.60	70	0.145	1	CCMT 12 04 08
3.543						.394	.000	.787	1.457	1.217	2.307	1015			
109.0	12	1/2	GA	1	BR10-GA-CC12F-00	13.50	0.00	20.00	42.50	32.80	71.00	70	0.200	1	CCMT 12 04 08
4.291						.531	.000	.787	1.673	1.291	2.795	1015			
135.0	12	1/2	HA	1	BR10-HA-CC12F-00	17.50	0.00	20.00	40.50	32.80	89.00	70	0.250	1	CCMT 12 04 08
5.315						.689	.000	.787	1.594	1.291	3.504	1015			



Spare parts

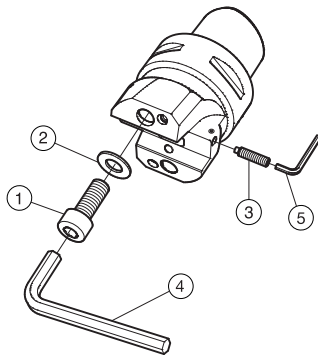
Coromant EH to CoroBore® BR20 tool body



	Spare parts			Accessories
	1	2	3	4
Ordering code	Screw	Washer	Set screw	Key
EH20-BR20-A-015	5512 060-32	5565 010-16	3214 020-155	3021 010-025
EH25-BR20-B-014	3212 010-258	3846 010-014	3214 020-156	3021 010-030
	Accessories			
	5			
Ordering code	Key			
EH20-BR20-A-015	3021 012-013			
EH25-BR20-B-014	3021 012-013			

Spare parts

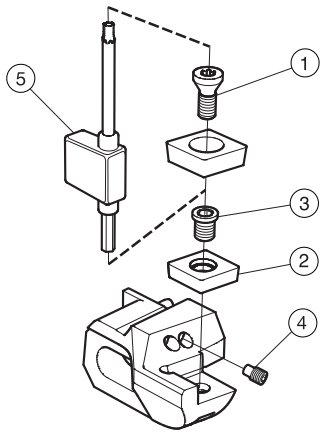
Coromant Capto® to CoroBore® BR20 tool body



	Spare parts			Accessories
	1	2	3	4
Ordering code	Screw	Cup spring	Set screw	Key
C3-BR20-A-066	5512 060-32	5565 010-16	3214 020-155	3021 010-025
C3-BR20-B-072	3212 010-258	3846 010-014	3214 020-156	3021 010-030
C3-BR20-C-035	3212 010-349	3846 010-023	3214 020-207	3021 010-040
C4-BR20-C-070	3212 010-349	3846 010-023	3214 020-207	3021 010-040
C4-BR20-D-043	3212 010-359	3846 010-033	3214 020-208	3021 010-050
C5-BR20-D-085	3212 010-359	3846 010-033	3214 020-208	3021 010-050
C5-BR20-E-048	3212 010-410	3846 010-048	3214 020-259	3021 010-060
C6-BR20-E-102	3212 010-410	3846 010-048	3214 020-259	3021 010-060
C5-BR20-F-050	3212 010-461	3846 010-069	3214 020-260	3021 010-080
C6-BR20-F-058	3212 010-461	3846 010-069	3214 020-260	3021 010-080
C6-BR20-G-068	3212 010-461	3846 010-069	3214 020-311	3021 010-080
C8-BR20-G-072	3212 010-461	3846 010-069	3214 020-311	3021 010-080
C6-BR20-H-068	3212 010-461	3846 010-069	3214 020-312	3021 010-080
C8-BR20-H-078	3212 010-461	3846 010-069	3214 020-312	3021 010-080
	Accessories			
	5			
Ordering code	Key			
C3-BR20-A-066	3021 012-013			
C3-BR20-B-072	3021 012-013			
C3-BR20-C-035	3021 012-015			
C4-BR20-C-070	3021 012-015			
C4-BR20-D-043	3021 012-015			
C5-BR20-D-085	3021 012-015			
C5-BR20-E-048	3021 012-020			
C6-BR20-E-102	3021 012-020			
C5-BR20-F-050	3021 012-020			
C6-BR20-F-058	3021 012-020			
C6-BR20-G-068	3021 010-025			
C8-BR20-G-072	3021 010-025			
C6-BR20-H-068	3021 010-025			
C8-BR20-H-078	3021 010-025			

Spare parts

Slide-set for CoroBore® BR10



Spare parts				
	1	2	3	4
Ordering code	Insert screw	Shim	Shim screw	Nozzle
BR10-AA-CC06F-00	5513 020-03			
BR10-BA-CC06F-00	5513 020-03			
BR10-CA-CC06F-00	5513 020-03			
BR10-DA-CC06F-00	5513 020-03			
BR10-DB-CC09F-00	5513 020-09			
BR10-EA-CC12F-00	5513 020-17			5691 026-13
BR10-FA-CC12F-00	5513 020-17	5322 232-02	5512 090-03	5691 026-13
BR10-GA-CC12F-00	5513 020-17	5322 232-02	5512 090-03	5691 026-13
BR10-HA-CC12F-00	5513 020-17	5322 232-02	5512 090-03	5691 026-13
Accessories				
	5			
Ordering code	Key			
BR10-AA-CC06F-00	5680 041-01			
BR10-BA-CC06F-00	5680 041-01			
BR10-CA-CC06F-00	5680 041-01			
BR10-DA-CC06F-00	5680 041-01			
BR10-DB-CC09F-00	5680 049-02			
BR10-EA-CC12F-00	5680 049-02			
BR10-FA-CC12F-00	5680 049-02			
BR10-GA-CC12F-00	5680 049-02			
BR10-HA-CC12F-00	5680 049-02			

CoroBore® BR20

Twin-edge rough boring tools for flexible boring

Application

- Rough boring
- Twin-edge boring
- Step boring
- Back boring
- Single edge boring

ISO application area:



Benefits and features

- Laser-marked scale on adaptor for increased user-friendliness when setting diameter
- Possibility to easily be assembled as a back boring tool, using a unique slide and cover
- Built-in step boring functionality without any additional need of an extra shim
- Differential pitch reduces vibration tendencies - tools can be used at longer overhangs and larger depth of cuts
- Dedicated four-edged inserts with grades optimized for rough boring
- Coolant nozzles with high precision capability built into slide for precise coolant direction.
- Cutting fluid through the tool for good chip evacuation
- Also available as damped boring tool assortment



www.sandvik.coromant.com/coroborebr20

Tools

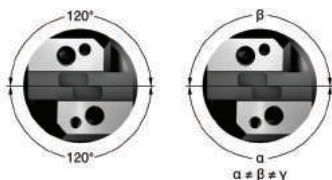
Couplings:

- Coromant Capto®
- Coromant EH

Inserts

Standard inserts with dedicated grades and geometries for all materials

- CoroBore® 111
- CoroTurn® 107



The differential pitch reduces vibration tendencies – tools can be used at longer overhangs and larger depth of cuts.



Dedicated CoroBore® 111 rough boring inserts. With excellent chip breaking and increased lifetime.



●●● SilentTools®

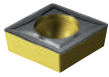
Problem-solver when working with long overhangs. When using Silent Tools™, you have the opportunity to double the depth of cut, while maintaining productive boring.

CoroBore® BR20 twin-edge rough boring tool

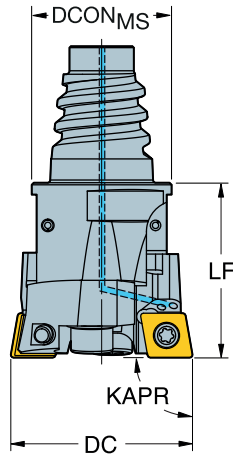
Coromant EH - Internal coolant supply

KAPR

90°



- CCMT, CCGT
CCGX, CCET
- CCMW



						Dimensions, mm, inch							
DCN	DCX			CZC _{MS}	CNSC	Ordering code	DCON _{MS}	ADJLX _{RDL}	LF			CICT	MIID
23.00	29.00	06	1/4	E20	1	BR20-29CC06F-EH20	19.30	3.00	25.00	70	0.070	2	CCMT 06 02 04
.906	1.142						.760	.118	.984	1015			
28.00	36.00	06	1/4	E25	1	BR20-36CC06F-EH25	24.20	4.00	25.00	70	0.110	2	CCMT 06 02 04
1.102	1.417						.953	.157	.984	1015			

For inserts, see Turning tools catalogue



CoroBore® BR20 twin-edge rough boring tool

Coromant Capto® - Internal coolant supply

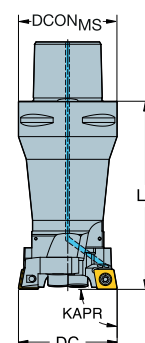
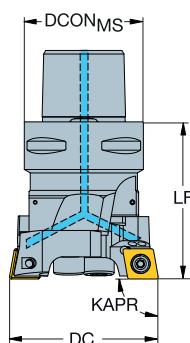


- CCMT, CCGT
CCGX, CCET
- CCMW

KAPR
DSGN

90°
1

90°
2



								Dimensions, mm, inch										
DCN	DCX			CZC _{MS}	CNSC	DSGN	Ordering code	DCON _{MS}	ADJLX _{REL}	ULDR	LF	BD ₁			CICT	MIID		
23.00	29.00	06	1/4	C3	3	2	BR20-29CC06F-C3	32.00	3.00	2.00	76.00	20.00	70	0.260	2	CCMT 06 02 04		
.906	1.142							1.260	.118		2.992	.787	1015					
28.00	36.00	06	1/4	C3	3	2	BR20-36CC06F-C3	32.00	4.00	2.00	83.00	24.00	70	0.360	2	CCMT 06 02 04		
1.102	1.417							1.260	.157		3.268	.945	1015					
35.00	45.00	09	3/8	C3	3	1	BR20-45CC09F-C3	32.00	5.00		48.00		70	0.270	2	CCMT 09 T3 08		
1.378	1.772							1.260	.197		1.890		1015					
35.00	45.00	09	3/8	C4	3	2	BR20-45CC09F-C4	40.00	5.00	1.50	83.00	30.00	70	0.560	2	CCMT 09 T3 08		
1.378	1.772							1.575	.197		3.268	1.181	1015					
44.00	56.00	09	3/8	C4	3	1	BR20-56CC09F-C4	40.00	6.00		56.00		70	0.480	2	CCMT 09 T3 08		
1.732	2.205							1.575	.236		2.205		1015					
44.00	56.00	09	3/8	C5	3	2	BR20-56CC09F-C5	50.00	6.00	1.50	98.00	39.00	70	1.030	2	CCMT 09 T3 08		
1.732	2.205							1.969	.236		3.858	1.535	1015					
55.00	71.00	12	1/2	C5	3	1	BR20-71CC12F-C5	50.00	8.00		66.00		70	0.860	2	CCMT 12 04 08		
2.165	2.795							1.969	.315		2.598		1015					
55.00	71.00	12	1/2	C6	3	2	BR20-71CC12F-C6	63.00	8.00	1.50	120.00	50.00	70	1.940	2	CCMT 12 04 08		
2.165	2.795							2.480	.315		4.724	1.969	1015					
70.00	90.00	12	1/2	C5	3	1	BR20-90CC12F-C5	50.00	10.00		70.00		70	1.230	2	CCMT 12 04 08		
2.756	3.543							1.969	.394		2.756		1015					
70.00	90.00	12	1/2	C6	3	1	BR20-90CC12F-C6	63.00	10.00		78.00		70	1.580	2	CCMT 12 04 08		
2.756	3.543							2.480	.394		3.071		1015					
89.00	116.00	12	1/2	C6	3	1	BR20-116CC12F-C6	63.00	13.50		90.00		70	2.080	2	CCMT 12 04 08		
3.504	4.567							2.480	.531		3.543		1015					
89.00	116.00	12	1/2	C8	3	1	BR20-116CC12F-C8	80.00	13.50		94.00		70	2.990	2	CCMT 12 04 08		
3.504	4.567							3.150	.531		3.701		1015					
115.00	150.00	12	1/2	C6	3	1	BR20-150CC12F-C6	63.00	17.50		90.00		70	2.380	2	CCMT 12 04 08		
4.528	5.906							2.480	.689		3.543		1015					
115.00	150.00	12	1/2	C8	3	1	BR20-150CC12F-C8	80.00	17.50		100.00		70	3.630	2	CCMT 12 04 08		
4.528	5.906							3.150	.689		3.937		1015					

For inserts, see Turning tools catalogue

For all DSGN 2; LU = DC*ULDR

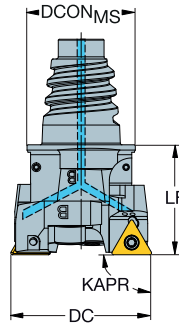





CoroBore® BR20 twin-edge rough boring tool

Coromant EH - Internal coolant supply

KAPR

90°



-  TCMT, TCMX, TCGT, TCGX
-  TCEX
-  TCMW

		Dimensions, mm, inch			
DCN	DCX	DCN _{MS}	ADJLX _{RDL}	LF	MIID
28.00	36.00	24.20	4.00	25.00	TCMT 09 02 04
1.102	1.417	.953	.157	.984	

For inserts, see Turning tools catalogue



CoroBore® BR20 twin-edge rough boring tool

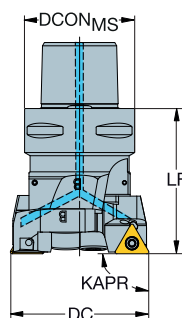
Coromant Capto® - Internal coolant supply



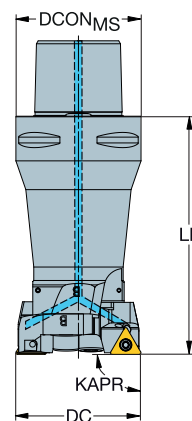
- TCMT, TCMX, TCGT, TCGX
- TCEX
- TCMW

KAPR
DSGN

90°
1



90°
2



							Dimensions, mm, inch										
DCN	DCX			CZC _{MS}	CNSC	DSGN	Ordering code	DCON _{MS}	ADJLX _{RDL}	ULDR	LF	BD ₁			CIGT	MIID	
28.00	36.00	09	7/32	C3	3	2	BR20-36TC09F-C3	32.00	4.00	2.00	83.00	24.00	70	0.380	2	TCMT 09 02 04	
1.102	1.417							1.260	.157		3.268	.945	1015				
35.00	45.00	11	1/4	C3	3	1	BR20-45TC11F-C3	32.00	5.00		48.00		70	0.270	2	TCMT 11 03 04	
1.378	1.772							1.260	.197		1.890		1015				
44.00	56.00	11	1/4	C4	3	1	BR20-56TC11F-C4	40.00	6.00		56.00		70	1.000	2	TCMT 11 03 04	
1.732	2.205							1.575	.236		2.205		1015				
55.00	71.00	16	3/8	C5	3	1	BR20-71TC16F-C5	50.00	8.00		66.00		70	0.860	2	TCMT 16 T3 08	
2.165	2.795							1.969	.315		2.598		1015				
70.00	90.00	16	3/8	C5	3	1	BR20-90TC16F-C5	50.00	10.00		70.00		70	1.250	2	TCMT 16 T3 08	
2.756	3.543							1.969	.394		2.756		1015				
70.00	90.00	16	3/8	C6	3	1	BR20-90TC16F-C6	63.00	10.00		78.00		70	1.600	2	TCMT 16 T3 08	
2.756	3.543							2.480	.394		3.071		1015				
89.00	116.00	16	3/8	C6	3	1	BR20-116TC16F-C6	63.00	13.50		90.00		70	2.100	2	TCMT 16 T3 08	
3.504	4.567							2.480	.531		3.543		1015				
115.00	150.00	16	3/8	C8	3	1	BR20-150TC16F-C8	80.00	17.50		100.00		70	3.650	2	TCMT 16 T3 08	
4.528	5.906							3.150	.689		3.937		1015				

For inserts, see Turning tools catalogue

For all DSGN 2; LU = DC*ULDR



262



289



282



265

CoroBore® BR20 twin-edge rough boring tool

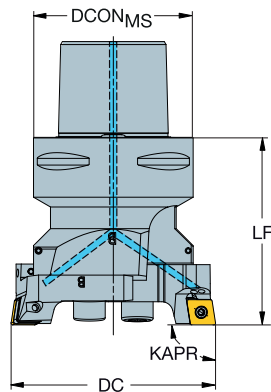
Coromant Capto® - Internal coolant supply

KAPR

90°



CNMU



							Dimensions, mm, inch						
DCN	DCX	IC	IC	CZC _{MS}	CNSC	Ordering code	DCON _{MS}	ADJLX _{RDL}	LF	BAR PSI	KG	CICT	MIID
70.00	90.00	12	1/2	C6	3	BR20-90CN12F-C6	63.00	10.00	78.00	70	2.200	2	CNMU 12 04 12
2.756	3.543						2.480	.394	3.071	1015			
89.00	116.00	12	1/2	C8	3	BR20-116CN12F-C8	80.00	13.50	94.00	70	2.900	2	CNMU 12 04 12
3.504	4.567						3.150	.531	3.701	1015			
115.00	150.00	12	1/2	C8	3	BR20-150CN12F-C8	80.00	17.50	100.00	70	3.690	2	CNMU 12 04 12
4.528	5.906						3.150	.689	3.937	1015			

For inserts, see Turning tools catalogue



CoroBore® BR20 twin-edge rough boring tool

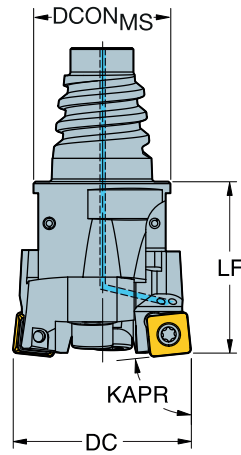
Coromant EH - Internal coolant supply

KAPR

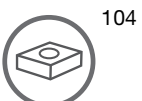
84°



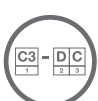
SPMT



								Dimensions, mm, inch					
DCN	DCX	IC	IC	CZC _{MS}	CNSC	Ordering code	DCON _{MS}	ADJLX _{RDL}	LF		CICT	MIID	
23.00	29.00	06	06	E20	1	BR20-29SP06Y-EH20	19.30	3.00	25.00	70	0.070	2	SPMT 0606-BM
.906	1.142						.760	.118	.984	1015			
28.00	36.00	06	06	E25	1	BR20-36SP06Y-EH25	24.20	4.00	25.00	70	0.110	2	SPMT 0606-BM
1.102	1.417						.953	.157	.984	1015			



104



262



289



282



265



CoroBore® BR20 twin-edge rough boring tool

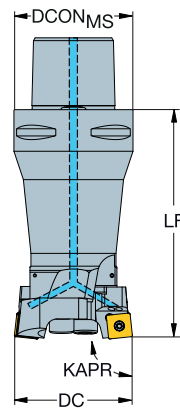
Coromant Capto® - Internal coolant supply



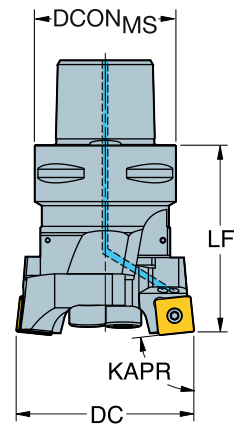
SPMT

KAPR
DSGN

84°
2



84°
1

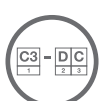


								Dimensions, mm, inch										
DCN	DCX			CZC _{MS}	CNSC	DSGN	Ordering code	DCON _{MS}	ADJLX _{RDL}	ULDR	LF	BD ₁			CICT	MIID		
23.00	29.00	06	06	C3	3	2	BR20-29SP06Y-C3	32.00	3.00	2.00	76.00	20.00	70	0.260	2	SPMT 0606-BM		
.906	1.142							1.260	.118		2.992	.787	1015					
28.00	36.00	06	06	C3	3	2	BR20-36SP06Y-C3	32.00	4.00	2.00	83.00	24.00	70	0.360	2	SPMT 0606-BM		
1.102	1.417							1.260	.157		3.268	.945	1015					
35.00	45.00	08	08	C3	3	1	BR20-45SP08Y-C3	32.00	5.00		48.00		70	0.270	2	SPMT 0808-BM		
1.378	1.772							1.260	.197		1.890		1015					
35.00	45.00	08	08	C4	3	2	BR20-45SP08Y-C4	40.00	5.00	1.50	83.00	30.00	70	0.560	2	SPMT 0808-BM		
1.378	1.772							1.575	.197		3.268	1.181	1015					
44.00	56.00	08	08	C4	3	1	BR20-56SP08Y-C4	40.00	6.00		56.00		70	0.480	2	SPMT 0808-BM		
1.732	2.205							1.575	.236		2.205		1015					
44.00	56.00	08	08	C5	3	2	BR20-56SP08Y-C5	50.00	6.00	1.50	98.00	39.00	70	1.030	2	SPMT 0808-BM		
1.732	2.205							1.969	.236		3.858	1.535	1015					
55.00	71.00	12	12	C5	3	1	BR20-71SP12Y-C5	50.00	8.00		66.00		70	0.860	2	SPMT 1210-BM		
2.165	2.795							1.969	.315		2.598		1015					
55.00	71.00	12	12	C6	3	2	BR20-71SP12Y-C6	63.00	8.00	1.50	120.00	50.00	70	1.940	2	SPMT 1210-BM		
2.165	2.795							2.480	.315		4.724	1.969	1015					
70.00	90.00	12	12	C5	3	1	BR20-90SP12Y-C5	50.00	10.00		70.00		70	1.230	2	SPMT 1210-BM		
2.756	3.543							1.969	.394		2.756		1015					
70.00	90.00	12	12	C6	3	1	BR20-90SP12Y-C6	63.00	10.00		78.00		70	1.580	2	SPMT 1210-BM		
2.756	3.543							2.480	.394		3.071		1015					
89.00	116.00	12	12	C6	3	1	BR20-116SP12Y-C6	63.00	13.50		90.00		70	2.080	2	SPMT 1210-BM		
3.504	4.567							2.480	.531		3.543		1015					
89.00	116.00	12	12	C8	3	1	BR20-116SP12Y-C8	80.00	13.50		94.00		70	2.990	2	SPMT 1210-BM		
3.504	4.567							3.150	.531		3.701		1015					
115.00	150.00	12	12	C6	3	1	BR20-150SP12Y-C6	63.00	17.50		90.00		70	2.380	2	SPMT 1210-BM		
4.528	5.906							2.480	.689		3.543		1015					
115.00	150.00	12	12	C8	3	1	BR20-150SP12Y-C8	80.00	17.50		100.00		70	3.630	2	SPMT 1210-BM		
4.528	5.906							3.150	.689		3.937		1015					

For all DSGN 2; LU = DC*ULDR



104



262



289



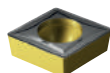
282



265

CoroBore® BR20 twin-edge damped rough boring tool

Coromant Capto® - Internal coolant supply

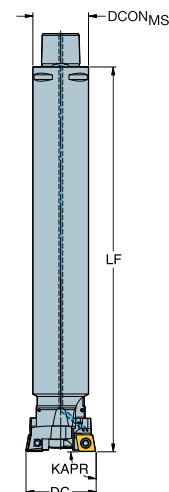


- CCMT, CCGT
CCGX, CCET
- CCMW

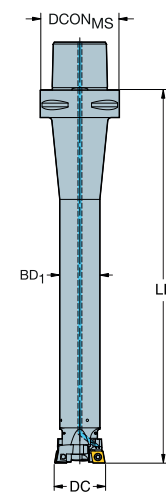
●●● SilentTools®

KAPR
DSGN

90°
1



90°
2



								Dimensions, mm, inch								
DCN	DCX			CZC _{MS}	CNSC	DSGN	Ordering code	DCON _{MS}	ADJLX _{RDL}	ULDR	LF	BD ₁			CICT	MIID
23.00	29.00	06	1/4	C4	3	2	BR20D-29CC06F-C4L	40.00	3.00	6.00	199.00	20.00	70	0.740	2	CCMT 06 02 04
.906	1.142							1.575	.118		7.835	.787	1015			
28.00	36.00	06	1/4	C3	3	2	BR20D-36CC06F-C3L	32.00	4.00	6.00	216.00	25.00	70	1.030	2	CCMT 06 02 04
1.102	1.417							1.260	.157		8.504	.984	1015			
35.00	45.00	09	3/8	C3	3	1	BR20D-45CC09F-C3L	32.00	5.00		221.00		70	1.540	2	CCMT 09 T3 08
1.378	1.772							1.260	.197		8.701		1015			
35.00	45.00	09	3/8	C4	3	2	BR20D-45CC09F-C4L	40.00	5.00	6.00	270.00	32.00	70	1.980	2	CCMT 09 T3 08
1.378	1.772							1.575	.197		10.630	1.260	1015			
35.00	45.00	09	3/8	C6	3	2	BR20D-45CC09F-C6L	63.00	5.00	6.00	297.00	32.00	70	2.620	2	CCMT 09 T3 08
1.378	1.772							2.480	.197		11.693	1.260	1015			
44.00	56.00	09	3/8	C4	3	1	BR20D-56CC09F-C4L	40.00	6.00		220.00		70	2.380	2	CCMT 09 T3 08
1.732	2.205							1.575	.236		8.661		1015			
44.00	56.00	09	3/8	C5	3	2	BR20D-56CC09F-C5L	50.00	6.00	6.00	336.00	40.00	70	3.720	2	CCMT 09 T3 08
1.732	2.205							1.969	.236		13.228	1.575	1015			
44.00	56.00	09	3/8	C6	3	2	BR20D-56CC09F-C6L	63.00	6.00	6.00	363.00	40.00	70	4.350	2	CCMT 09 T3 08
1.732	2.205							2.480	.236		14.291	1.575	1015			
55.00	71.00	12	1/2	C5	3	1	BR20D-71CC12F-C5M	50.00	8.00		300.00		70	5.080	2	CCMT 12 04 08
2.165	2.795							1.969	.315		11.811		1015			
55.00	71.00	12	1/2	C6	3	2	BR20D-71CC12F-C6M	63.00	8.00	5.60	400.00	50.00	70	6.940	2	CCMT 12 04 08
2.165	2.795							2.480	.315		15.748	1.969	1015			
70.00	90.00	12	1/2	C6	3	1	BR20D-90CC12F-C6M	63.00	10.00		400.00		70	9.910	2	CCMT 12 04 08
2.756	3.543							2.480	.394		15.748		1015			
70.00	90.00	12	1/2	C8	3	2	BR20D-90CC12F-C8M	80.00	10.00	5.60	500.00	63.00	70	12.660	2	CCMT 12 04 08
2.756	3.543							3.150	.394		19.685	2.480	1015			
89.00	116.00	12	1/2	C8	3	1	BR20D-116CC12F-C8M	80.00	13.50		500.00		70	18.490	2	CCMT 12 04 08
3.504	4.567							3.150	.531		19.685		1015			
89.00	116.00	12	1/2	C8	3	1	BR20D-116CC12F-C8S	80.00	13.50		410.00		70	16.140	2	CCMT 12 04 08
3.504	4.567							3.150	.531		16.142		1015			
115.00	150.00	12	1/2	C8	3	1	BR20D-150CC12F-C8M	80.00	17.50		500.00		70	18.620	2	CCMT 12 04 08
4.528	5.906							3.150	.689		19.685		1015			

For inserts, see Turning tools catalogue

For all DSGN 2; LU = DC*ULDR



CoroBore® BR20 twin-edge damped rough boring tool

Coromant Capto® - Internal coolant supply

ENG

●●● SilentTools®

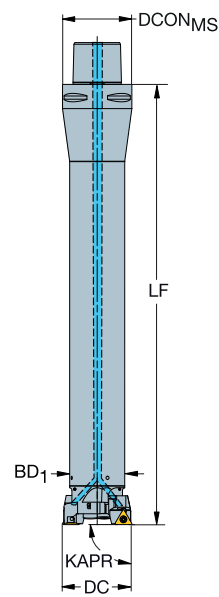
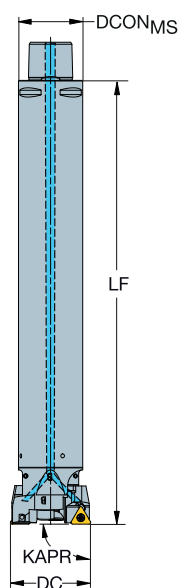
KAPR
DSGN

90°
1

90°
2



- TCMT, TCMX, TCGT, TCGX, TCEX
- TCMW



										Dimensions, mm, inch						
DCN	DCX			CZC _{MS}	CNSC	DSGN	Ordering code	DCON _{MS}	ADJLX _{RDL}	ULDR	LF	BD ₁			CICT	MIID
28.00	36.00	09	7/32	C3	3	2	BR20D-36TC09F-C3L	32.00	4.00	6.00	216.00	25.00	70	1.718	2	TCMT 09 02 04
1.102	1.417							1.260	.157		8.504	.984	1015			
35.00	45.00	11	1/4	C3	3	1	BR20D-45TC11F-C3L	32.00	5.00		221.00		70	2.330	2	TCMT 11 03 04
1.378	1.772							1.260	.197		8.701		1015			
35.00	45.00	11	1/4	C4	3	2	BR20D-45TC11F-C4L	40.00	5.00	6.00	270.00	32.00	70	1.980	2	TCMT 11 03 04
1.378	1.772							1.575	.197		10.630	1.260	1015			
44.00	56.00	11	1/4	C4	3	1	BR20D-56TC11F-C4L	40.00	6.00		220.00		70	2.400	2	TCMT 11 03 04
1.732	2.205							1.575	.236		8.661		1015			
44.00	56.00	11	1/4	C5	3	2	BR20D-56TC11F-C5L	50.00	6.00	6.00	336.00	40.00	70	5.740	2	TCMT 11 03 04
1.732	2.205							1.969	.236		13.228	1.575	1015			
55.00	71.00	16	3/8	C5	3	1	BR20D-71TC16F-C5M	50.00	8.00		300.00		70	5.080	2	TCMT 16 T3 08
2.165	2.795							1.969	.315		11.811		1015			
70.00	90.00	16	3/8	C6	3	1	BR20D-90TC16F-C6M	63.00	10.00		400.00		70	9.930	2	TCMT 16 T3 08
2.756	3.543							2.480	.394		15.748		1015			
89.00	116.00	16	3/8	C8	3	1	BR20D-116TC16F-C8M	80.00	13.50		500.00		70	22.085	2	TCMT 16 T3 08
3.504	4.567							3.150	.531		19.685		1015			
89.00	116.00	16	3/8	C8	3	1	BR20D-116TC16F-C8S	80.00	13.50		410.00		70	16.160	2	TCMT 16 T3 08
3.504	4.567							3.150	.531		16.142		1015			
115.00	150.00	16	3/8	C8	3	1	BR20D-150TC16F-C8M	80.00	17.50		500.00		70	23.200	2	TCMT 16 T3 08
4.528	5.906							3.150	.689		19.685		1015			

For inserts, see Turning tools catalogue

For all DSGN 2; LU = DC*ULDR



CoroBore® BR20 twin-edge damped rough boring tool

Coromant Capto® - Internal coolant supply

KAPR
DSGN

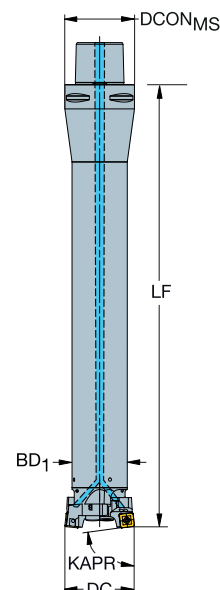
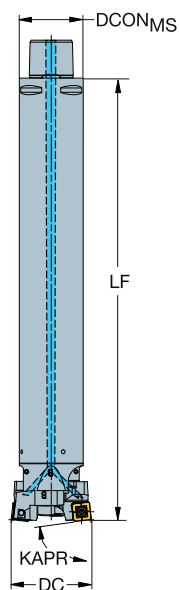
84°
1

84°
2

●●● SilentTools®

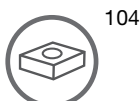


SPMT



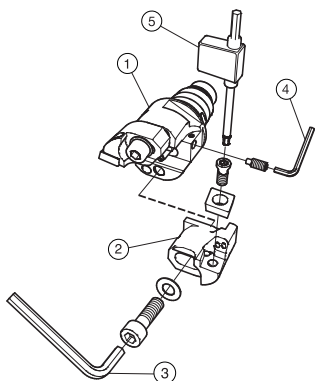
										Dimensions, mm, inch						
DCN	DCX	IC	IC	CZC _{MS}	CNSC	DSGN	Ordering code	DCON _{MS}	ADJLX _{RDL}	ULDR	LF	BD ₁	BAR PSI	KG	CICT	MIID
23.00	29.00	06	06	C4	3	2	BR20D-29SP06Y-C4L	40.00	3.00	6.00	199.00	20.00	70	0.740	2	SPMT 0606-BM
.906	1.142							1.575	.118		7.835	.787	1015			
28.00	36.00	06	06	C3	3	2	BR20D-36SP06Y-C3L	32.00	4.00	6.00	216.00	25.00	70	1.030	2	SPMT 0606-BM
1.102	1.417							1.260	.157		8.504	.984	1015			
35.00	45.00	08	08	C3	3	1	BR20D-45SP08Y-C3L	32.00	5.00		221.00		70	2.330	2	SPMT 0808-BM
1.378	1.772							1.260	.197		8.701		1015			
35.00	45.00	08	08	C4	3	2	BR20D-45SP08Y-C4L	40.00	5.00	6.00	270.00	32.00	70	4.500	2	SPMT 0808-BM
1.378	1.772							1.575	.197		10.630	1.260	1015			
35.00	45.00	08	08	C6	3	2	BR20D-45SP08Y-C6L	63.00	5.00	6.00	297.00	32.00	70	2.630	2	SPMT 0808-BM
1.378	1.772							2.480	.197		11.693	1.260	1015			
44.00	56.00	08	08	C4	3	1	BR20D-56SP08Y-C4L	40.00	6.00		220.00		70	5.120	2	SPMT 0808-BM
1.732	2.205							1.575	.236		8.661		1015			
44.00	56.00	08	08	C5	3	2	BR20D-56SP08Y-C5L	50.00	6.00	6.00	336.00	40.00	70	3.720	2	SPMT 0808-BM
1.732	2.205							1.969	.236		13.228	1.575	1015			
44.00	56.00	08	08	C6	3	1	BR20D-56SP08Y-C6L	63.00	6.00	6.00	363.00	40.00	70	4.350	2	SPMT 0808-BM
1.732	2.205							2.480	.236		14.291	1.575	1015			
55.00	71.00	12	12	C5	3	1	BR20D-71SP12Y-C5M	50.00	8.00		300.00		70	7.672	2	SPMT 1210-BM
2.165	2.795							1.969	.315		11.811		1015			
55.00	71.00	12	12	C6	3	2	BR20D-71SP12Y-C6M	63.00	8.00	5.60	400.00	50.00	70	6.940	2	SPMT 1210-BM
2.165	2.795							2.480	.315		15.748	1.969	1015			
70.00	90.00	12	12	C6	3	1	BR20D-90SP12Y-C6M	63.00	10.00		400.00		70	12.000	2	SPMT 1210-BM
2.756	3.543							2.480	.394		15.748		1015			
70.00	90.00	12	12	C8	3	2	BR20D-90SP12Y-C8M	80.00	10.00	5.60	500.00	63.00	70	16.183	2	SPMT 1210-BM
2.756	3.543							3.150	.394		19.685	2.480	1015			
89.00	116.00	12	12	C8	3	1	BR20D-116SP12Y-C8M	80.00	13.50		500.00		70	22.125	2	SPMT 1210-BM
3.504	4.567							3.150	.531		19.685		1015			
89.00	116.00	12	12	C8	3	1	BR20D-116SP12Y-C8S	80.00	13.50		410.00		70	16.140	2	SPMT 1210-BM
3.504	4.567							3.150	.531		16.142		1015			
115.00	150.00	12	12	C8	3	1	BR20D-150SP12Y-C8M	80.00	17.50		500.00		70	18.620	2	SPMT 1210-BM
4.528	5.906							3.150	.689		19.685		1015			

For all DSGN 2; LU = DC*ULDR



Included parts

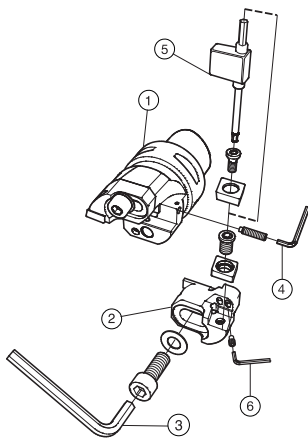
CoroBore® BR20 twin-edge rough boring tool



Included parts				
	1	2a	2b	3
Ordering code	Adaptor	Slide	Slide	Key
BR20-29CC06F-EH20	EH20-BR20-A-015	BR20-AA-CC06F-10	BR20-AB-CC06F-10	3021 010-025
BR20-36CC06F-EH25	EH25-BR20-B-014	BR20-BA-CC06F-11	BR20-BB-CC06F-11	3021 010-030
Included parts				
	4	5		
Ordering code	Key	Key		
BR20-29CC06F-EH20	3021 012-013	5680 051-02		
BR20-36CC06F-EH25	3021 012-013	5680 051-02		
Included parts				
	1	2a	2b	3
Ordering code	Adaptor	Slide	Slide	Key
BR20-29SP06Y-EH20	EH20-BR20-A-015	BR20-AA-SP06Y-10	BR20-AB-SP06Y-10	3021 010-025
BR20-36SP06Y-EH25	EH25-BR20-B-014	BR20-BA-SP06Y-11	BR20-BB-SP06Y-11	3021 010-030
Included parts				
	4	5		
Ordering code	Key	Key		
BR20-29SP06Y-EH20	3021 012-013	5680 051-02		
BR20-36SP06Y-EH25	3021 012-013	5680 051-02		

Included parts

CoroBore® BR20 twin-edge rough boring tool

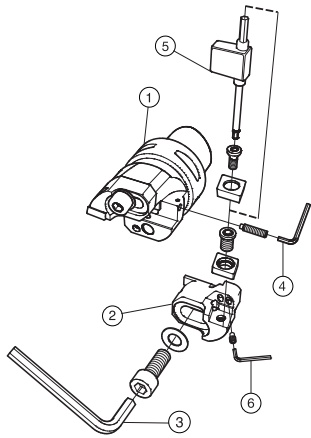


Included parts				
Ordering code	1 Adaptor	2a Slide	2b Slide	3 Key
BR20-29CC06F-C3	C3-BR20-A-066	BR20-AA-CC06F-10	BR20-AB-CC06F-10	3021 010-025
BR20-36CC06F-C3	C3-BR20-B-072	BR20-BA-CC06F-11	BR20-BB-CC06F-11	3021 010-030
BR20-45CC09F-C3	C3-BR20-C-035	BR20-CA-CC09F-13	BR20-CB-CC09F-13	3021 010-040
BR20-45CC09F-C4	C4-BR20-C-070	BR20-CA-CC09F-13	BR20-CB-CC09F-13	3021 010-040
BR20-56CC09F-C4	C4-BR20-D-043	BR20-DA-CC09F-13	BR20-DB-CC09F-13	3021 010-050
BR20-56CC09F-C5	C5-BR20-D-085	BR20-DA-CC09F-13	BR20-DB-CC09F-13	3021 010-050
BR20-71CC12F-C5	C5-BR20-E-048	BR20-EA-CC12F-18	BR20-EB-CC12F-18	3021 010-060
BR20-71CC12F-C6	C6-BR20-E-102	BR20-EA-CC12F-18	BR20-EB-CC12F-18	3021 010-060
BR20-90CC12F-C5	C5-BR20-F-050	BR20-FA-CC12F-20	BR20-FB-CC12F-20	3021 010-080
BR20-90CC12F-C6	C6-BR20-F-058	BR20-FA-CC12F-20	BR20-FB-CC12F-20	3021 010-080
BR20-116CC12F-C6	C6-BR20-G-068	BR20-GA-CC12F-22	BR20-GB-CC12F-22	3021 010-080
BR20-116CC12F-C8	C8-BR20-G-072	BR20-GA-CC12F-22	BR20-GB-CC12F-22	3021 010-080
BR20-150CC12F-C6	C6-BR20-H-068	BR20-HA-CC12F-22	BR20-HB-CC12F-22	3021 010-080
BR20-150CC12F-C8	C8-BR20-H-078	BR20-HA-CC12F-22	BR20-HB-CC12F-22	3021 010-080

Included parts				Accessories
Ordering code	4 Key	5 Key	6 Key	7 Cover
BR20-29CC06F-C3	3021 012-013	5680 051-02		BR10-AC
BR20-36CC06F-C3	3021 012-013	5680 051-02		BR10-BC
BR20-45CC09F-C3	3021 012-015	5680 049-02		BR10-CC
BR20-45CC09F-C4	3021 012-015	5680 049-02		BR10-CC
BR20-56CC09F-C4	3021 012-015	5680 049-02		BR10-DC
BR20-56CC09F-C5	3021 012-015	5680 049-02		BR10-DC
BR20-71CC12F-C5	3021 012-020	5680 049-02	3021 012-015	BR10-EC
BR20-71CC12F-C6	3021 012-020	5680 049-02	3021 012-015	BR10-EC
BR20-90CC12F-C5	3021 012-020	5680 049-02	3021 012-015	BR10-FC
BR20-90CC12F-C6	3021 012-020	5680 049-02	3021 012-015	BR10-FC
BR20-116CC12F-C6	3021 010-025	5680 049-02	3021 012-015	BR10-GC
BR20-116CC12F-C8	3021 010-025	5680 049-02	3021 012-015	BR10-GC
BR20-150CC12F-C6	3021 010-025	5680 049-02	3021 012-015	BR10-HC
BR20-150CC12F-C8	3021 010-025	5680 049-02	3021 012-015	BR10-HC

Included parts

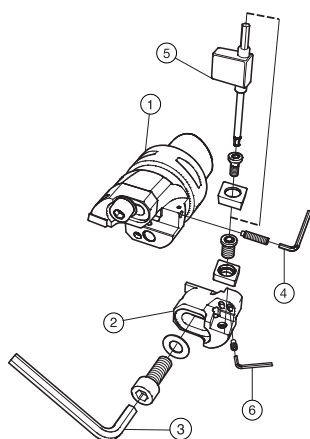
CoroBore® BR20 twin-edge rough boring tool



Included parts				
	1	2a	2b	3
Ordering code	Adaptor	Slide	Slide	Key
BR20-29SP06Y-C3	C3-BR20-A-066	BR20-AA-SP06Y-10	BR20-AB-SP06Y-10	3021 010-025
BR20-36SP06Y-C3	C3-BR20-B-072	BR20-BA-SP06Y-11	BR20-BB-SP06Y-11	3021 010-030
BR20-45SP08Y-C3	C3-BR20-C-035	BR20-CA-SP08Y-13	BR20-CB-SP08Y-13	3021 010-040
BR20-45SP08Y-C4	C4-BR20-C-070	BR20-CA-SP08Y-13	BR20-CB-SP08Y-13	3021 010-040
BR20-56SP08Y-C4	C4-BR20-D-043	BR20-DA-SP08Y-13	BR20-DB-SP08Y-13	3021 010-050
BR20-56SP08Y-C5	C5-BR20-D-085	BR20-DA-SP08Y-13	BR20-DB-SP08Y-13	3021 010-050
BR20-71SP12Y-C5	C5-BR20-E-048	BR20-EA-SP12Y-18	BR20-EB-SP12Y-18	3021 010-060
BR20-71SP12Y-C6	C6-BR20-E-102	BR20-EA-SP12Y-18	BR20-EB-SP12Y-18	3021 010-060
BR20-90SP12Y-C5	C5-BR20-F-050	BR20-FA-SP12Y-20	BR20-FB-SP12Y-20	3021 010-080
BR20-90SP12Y-C6	C6-BR20-F-058	BR20-FA-SP12Y-20	BR20-FB-SP12Y-20	3021 010-080
BR20-116SP12Y-C6	C6-BR20-G-068	BR20-GA-SP12Y-22	BR20-GB-SP12Y-22	3021 010-080
BR20-116SP12Y-C8	C8-BR20-G-072	BR20-GA-SP12Y-22	BR20-GB-SP12Y-22	3021 010-080
BR20-150SP12Y-C6	C6-BR20-H-068	BR20-HA-SP12Y-22	BR20-HB-SP12Y-22	3021 010-080
BR20-150SP12Y-C8	C8-BR20-H-078	BR20-HA-SP12Y-22	BR20-HB-SP12Y-22	3021 010-080
Included parts				Accessories
	4	5	6	7
Ordering code	Key	Key	Key	Cover
BR20-29SP06Y-C3	3021 012-013	5680 051-02		BR10-AC
BR20-36SP06Y-C3	3021 012-013	5680 051-02		BR10-BC
BR20-45SP08Y-C3	3021 012-015	5680 049-03		BR10-CC
BR20-45SP08Y-C4	3021 012-015	5680 049-03		BR10-CC
BR20-56SP08Y-C4	3021 012-015	5680 049-03		BR10-DC
BR20-56SP08Y-C5	3021 012-015	5680 049-03		BR10-DC
BR20-71SP12Y-C5	3021 012-020	5680 049-04	3021 012-015	BR10-EC
BR20-71SP12Y-C6	3021 012-020	5680 049-04	3021 012-015	BR10-EC
BR20-90SP12Y-C5	3021 012-020	5680 049-04	3021 012-015	BR10-FC
BR20-90SP12Y-C6	3021 012-020	5680 049-04	3021 012-015	BR10-FC
BR20-116SP12Y-C6	3021 010-025	5680 049-04	3021 012-015	BR10-GC
BR20-116SP12Y-C8	3021 010-025	5680 049-04	3021 012-015	BR10-GC
BR20-150SP12Y-C6	3021 010-025	5680 049-04	3021 012-015	BR10-HC
BR20-150SP12Y-C8	3021 010-025	5680 049-04	3021 012-015	BR10-HC

Included parts

CoroBore® BR20 twin-edge rough boring tool

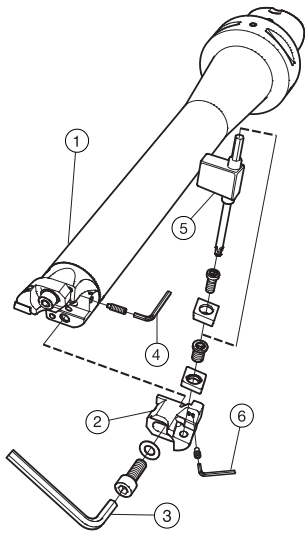


Included parts				
	1	2a	2b	3
Ordering code	Adaptor	Slide	Slide	Key
BR20-36TC09F-C3	C3-BR20-B-072	BR20-BA-TC09F-11	BR20-BB-TC09F-11	3021 010-030
BR20-45TC11F-C3	C3-BR20-C-035	BR20-CA-TC11F-13	BR20-CB-TC11F-13	3021 010-040
BR20-56TC11F-C4	C4-BR20-D-043	BR20-DA-TC11F-13	BR20-DB-TC11F-13	3021 010-050
BR20-71TC16F-C5	C5-BR20-E-048	BR20-EA-TC16F-18	BR20-EB-TC16F-18	3021 010-060
BR20-90TC16F-C5	C5-BR20-F-050	BR20-FA-TC16F-20	BR20-FB-TC16F-20	3021 010-080
BR20-90TC16F-C6	C6-BR20-F-058	BR20-FA-TC16F-20	BR20-FB-TC16F-20	3021 010-080
BR20-116TC16F-C6	C6-BR20-G-068	BR20-GA-TC16F-22	BR20-GB-TC16F-22	3021 010-080
BR20-150TC16F-C8	C8-BR20-H-078	BR20-HA-TC16F-22	BR20-HB-TC16F-22	3021 010-080

Included parts			
	4	5	6
Ordering code	Key	Key	Key
BR20-36TC09F-C3	3021 012-013	5680 046-03	
BR20-45TC11F-C3	3021 012-015	5680 046-03	
BR20-56TC11F-C4	3021 012-015	5680 046-03	
BR20-71TC16F-C5	3021 012-020	5680 046-02	3021 012-015
BR20-90TC16F-C5	3021 012-020	5680 049-01	3021 012-015
BR20-90TC16F-C6	3021 012-020	5680 049-01	3021 012-015
BR20-116TC16F-C6	3021 010-025	5680 049-01	3021 012-015
BR20-150TC16F-C8	3021 010-025	5680 049-01	3021 012-015

Included parts

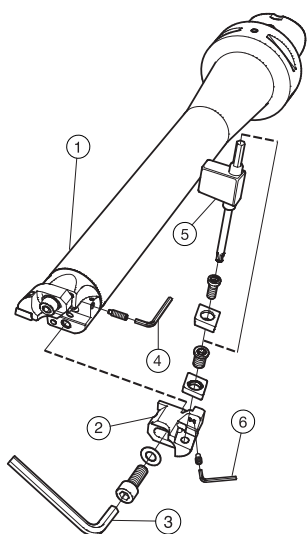
CoroBore® BR20 twin-edge damped rough boring tool



Included parts				
	1	2a	2b	3
Ordering code	Adaptor	Slide	Slide	Key
BR20D-29CC06F-C4L	C4-BR20D-A-189	BR20-AA-CC06F-10	BR20-AB-CC06F-10	3021 010-025
BR20D-36CC06F-C3L	C3-BR20D-B-205	BR20-BA-CC06F-11	BR20-BB-CC06F-11	3021 010-030
BR20D-45CC09F-C3L	C3-BR20D-C-208	BR20-CA-CC09F-13	BR20-CB-CC09F-13	3021 010-040
BR20D-45CC09F-C4L	C4-BR20D-C-257	BR20-CA-CC09F-13	BR20-CB-CC09F-13	3021 010-040
BR20D-45CC09F-C6L	C6-BR20D-C-284	BR20-CA-CC09F-13	BR20-CB-CC09F-13	3021 010-040
BR20D-56CC09F-C4L	C4-BR20D-D-207	BR20-DA-CC09F-13	BR20-DB-CC09F-13	3021 010-050
BR20D-56CC09F-C5L	C5-BR20D-D-323	BR20-DA-CC09F-13	BR20-DB-CC09F-13	3021 010-050
BR20D-56CC09F-C6L	C6-BR20D-D-350	BR20-DA-CC09F-13	BR20-DB-CC09F-13	3021 010-050
BR20D-71CC12F-C5M	C5-BR20D-E-282	BR20-EA-CC12F-18	BR20-EB-CC12F-18	3021 010-060
BR20D-71CC12F-C6M	C6-BR20D-E-382	BR20-EA-CC12F-18	BR20-EB-CC12F-18	3021 010-060
BR20D-90CC12F-C6M	C6-BR20D-F-380	BR20-FA-CC12F-20	BR20-FB-CC12F-20	3021 010-080
BR20D-90CC12F-C8M	C8-BR20D-F-480	BR20-FA-CC12F-20	BR20-FB-CC12F-20	3021 010-080
BR20D-116CC12F-C8M	C8-BR20D-G-478	BR20-GA-CC12F-22	BR20-GB-CC12F-22	3021 010-080
BR20D-116CC12F-C8S	C8-BR20D-G-388	BR20-GA-CC12F-22	BR20-GB-CC12F-22	3021 010-080
BR20D-150CC12F-C8M	C8-BR20D-H-478	BR20-HA-CC12F-22	BR20-HB-CC12F-22	3021 010-080
Included parts				Accessories
	4	5	6	7
Ordering code	Key	Key	Key	Cover
BR20D-29CC06F-C4L	3021 012-013	5680 051-02		BR10-AC
BR20D-36CC06F-C3L	3021 012-013	5680 051-02		BR10-BC
BR20D-45CC09F-C3L	3021 012-015	5680 049-02		BR10-CC
BR20D-45CC09F-C4L	3021 012-015	5680 049-02		BR10-CC
BR20D-45CC09F-C6L	3021 012-015	5680 049-02		BR10-CC
BR20D-56CC09F-C4L	3021 012-015	5680 049-02		BR10-DC
BR20D-56CC09F-C5L	3021 012-015	5680 049-02		BR10-DC
BR20D-56CC09F-C6L	3021 012-015	5680 049-02		BR10-DC
BR20D-71CC12F-C5M	3021 012-020	5680 049-02	3021 012-015	BR10-EC
BR20D-71CC12F-C6M	3021 012-020	5680 049-02	3021 012-015	BR10-EC
BR20D-90CC12F-C6M	3021 012-020	5680 049-02	3021 012-015	BR10-FC
BR20D-90CC12F-C8M	3021 012-020	5680 049-02	3021 012-015	BR10-FC
BR20D-116CC12F-C8M	3021 010-025	5680 049-02	3021 012-015	BR10-GC
BR20D-116CC12F-C8S	3021 010-025	5680 049-02	3021 012-015	BR10-GC
BR20D-150CC12F-C8M	3021 010-025	5680 049-02	3021 012-015	BR10-HC

Included parts

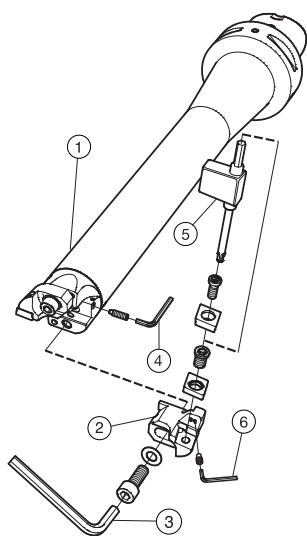
CoroBore® BR20 twin-edge damped rough boring tool



Included parts				
	1	2a	2b	3
Ordering code	Adaptor	Slide	Slide	Key
BR20D-29SP06Y-C4L	C4-BR20D-A-189	BR20-AA-SP06Y-10	BR20-AB-SP06Y-10	3021 010-025
BR20D-36SP06Y-C3L	C3-BR20D-B-205	BR20-BA-SP06Y-11	BR20-BB-SP06Y-11	3021 010-030
BR20D-45SP08Y-C3L	C3-BR20D-C-208	BR20-CA-SP08Y-13	BR20-CB-SP08Y-13	3021 010-040
BR20D-45SP08Y-C4L	C4-BR20D-C-257	BR20-CA-SP08Y-13	BR20-CB-SP08Y-13	3021 010-040
BR20D-45SP08Y-C6L	C6-BR20D-C-284	BR20-CA-SP08Y-13	BR20-CB-SP08Y-13	3021 010-040
BR20D-56SP08Y-C4L	C4-BR20D-D-207	BR20-DA-SP08Y-13	BR20-DB-SP08Y-13	3021 010-050
BR20D-56SP08Y-C5L	C5-BR20D-D-323	BR20-DA-SP08Y-13	BR20-DB-SP08Y-13	3021 010-050
BR20D-56SP08Y-C6L	C6-BR20D-D-350	BR20-DA-SP08Y-13	BR20-DB-SP08Y-13	3021 010-050
BR20D-71SP12Y-C5M	C5-BR20D-E-282	BR20-EA-SP12Y-18	BR20-EB-SP12Y-18	3021 010-060
BR20D-71SP12Y-C6M	C6-BR20D-E-382	BR20-EA-SP12Y-18	BR20-EB-SP12Y-18	
BR20D-90SP12Y-C6M	C6-BR20D-F-380	BR20-FA-SP12Y-20	BR20-FB-SP12Y-20	
BR20D-90SP12Y-C8M	C8-BR20D-F-480	BR20-FA-SP12Y-20	BR20-FB-SP12Y-20	3021 010-080
BR20D-116SP12Y-C8M	C8-BR20D-G-478	BR20-GA-SP12Y-22	BR20-GB-SP12Y-22	3021 010-080
BR20D-116SP12Y-C8S	C8-BR20D-G-388	BR20-GA-SP12Y-22	BR20-GB-SP12Y-22	3021 010-080
BR20D-150SP12Y-C8M	C8-BR20D-H-478	BR20-HA-SP12Y-22	BR20-HB-SP12Y-22	3021 010-080
Included parts				
	4	5	6	
Ordering code	Key	Key	Key	
BR20D-29SP06Y-C4L	3021 012-013	5680 041-01		
BR20D-36SP06Y-C3L	3021 012-013	5680 041-01		
BR20D-45SP08Y-C3L	3021 012-015	5680 049-03		
BR20D-45SP08Y-C4L	3021 012-015	5680 049-03		
BR20D-45SP08Y-C6L	3021 012-015	5680 049-03		
BR20D-56SP08Y-C4L	3021 012-015	5680 049-03		
BR20D-56SP08Y-C5L	3021 012-015	5680 049-03		
BR20D-56SP08Y-C6L	3021 012-015	5680 049-03		
BR20D-71SP12Y-C5M	3021 012-020	5680 049-04	3021 012-015	
BR20D-71SP12Y-C6M				
BR20D-90SP12Y-C6M				
BR20D-90SP12Y-C8M	3021 012-020	5680 049-04	3021 012-015	
BR20D-116SP12Y-C8M	3021 010-025	5680 049-04	3021 012-015	
BR20D-116SP12Y-C8S	3021 010-025	5680 049-04	3021 012-015	
BR20D-150SP12Y-C8M	3021 010-025	5680 049-04	3021 012-015	

Included parts

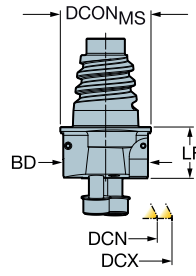
CoroBore® BR20 twin-edge damped rough boring tool



Included parts				
	1	2a	2b	3
Ordering code	Adaptor	Slide	Slide	Key
BR20D-36TC09F-C3L	C3-BR20D-B-205	BR20-BA-TC09F-11	BR20-BB-TC09F-11	3021 010-030
BR20D-45TC11F-C3L	C3-BR20D-C-208	BR20-CA-TC11F-13	BR20-CB-TC11F-13	3021 010-040
BR20D-45TC11F-C4L	C4-BR20D-C-257	BR20-CA-TC11F-13	BR20-CB-TC11F-13	3021 010-040
BR20D-56TC11F-C4L	C4-BR20D-D-207	BR20-DA-TC11F-13	BR20-DB-TC11F-13	3021 010-050
BR20D-56TC11F-C5L	C5-BR20D-D-323	BR20-DA-TC11F-13	BR20-DB-TC11F-13	3021 010-050
BR20D-71TC16F-C5M	C5-BR20D-E-282	BR20-EA-TC16F-18	BR20-EB-TC16F-18	3021 010-060
BR20D-90TC16F-C6M	C6-BR20D-F-380	BR20-FA-TC16F-20	BR20-FB-TC16F-20	3021 010-080
BR20D-116TC16F-C8M	C8-BR20D-G-478	BR20-GA-TC16F-22	BR20-GB-TC16F-22	3021 010-080
BR20D-116TC16F-C8S	C8-BR20D-G-388	BR20-GA-TC16F-22	BR20-GB-TC16F-22	3021 010-080
BR20D-150TC16F-C8M	C8-BR20D-H-478	BR20-HA-TC16F-22	BR20-HB-TC16F-22	3021 010-080

Included parts			
	4	5	6
Ordering code	Key	Key	Key
BR20D-36TC09F-C3L	3021 012-013	5680 046-03	
BR20D-45TC11F-C3L	3021 012-015	5680 046-03	
BR20D-45TC11F-C4L	3021 012-015	5680 046-03	
BR20D-56TC11F-C4L	3021 012-015	5680 046-03	
BR20D-56TC11F-C5L	3021 012-015	5680 046-03	
BR20D-71TC16F-C5M	3021 012-020	5680 046-02	3021 012-015
BR20D-90TC16F-C6M	3021 012-020	5680 049-01	3021 012-015
BR20D-116TC16F-C8M	3021 010-025	5680 049-01	3021 012-015
BR20D-116TC16F-C8S	3021 010-025	5680 049-01	3021 012-015
BR20D-150TC16F-C8M	3021 010-025	5680 049-01	3021 012-015

Coromant EH to CoroBore® BR20 tool body



					Dimensions, mm, inch									
DCN	DCX	CZC _{MS}	CZC _{WS}	CNSC	Ordering code	DCON _{MS}	LF	LF ₂	WF	BD ₁	BAR PSI	NM	KG	
23.00	29.00	E20	AB	1	EH20-BR20-A-015	19.30	15.00	14.80	1.40	20.00	70	4.8	0.050	
.906	1.142					.760	.591	.583	.055	.787	1015			
28.00	36.00	E25	BB	1	EH25-BR20-B-014	24.20	14.00	13.80	2.55	24.00	70	4.8	0.070	
1.102	1.417					.953	.551	.543	.100	.945	1015			



289

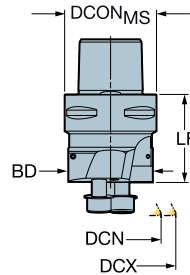


282

Coromant Capto® to CoroBore® BR20 tool body

STDNO

ISO26623-1



						Dimensions, mm, inch									
DCN	DCX	CZC _{MS}	CZC _{MS}	CNSC	Ordering code	DCON _{MS}	LF	LF	LF ₂	WF	WF	BD ₁	BAR PSI	KG	
23.00	29.00	C3	AB	3	C3-BR20-A-066	32.00	66.00	65.80		1.40	20.00	70	0.240		
.906	1.142					1.260	2.598	2.591		.055	.787	1015			
28.00	36.00	C3	BB	3	C3-BR20-B-072	32.00	72.00	71.80		2.55	24.00	70	0.320		
1.102	1.417					1.260	2.835	2.827		.100	.945	1015			
35.00	45.00	C3	CB	3	C3-BR20-C-035	32.00	35.00			2.50	30.00	70	0.210		
1.378	1.772					1.260	1.378			.098	1.181	1015			
35.00	45.00	C4	CB	3	C4-BR20-C-070	40.00	70.00	69.80		2.50	30.00	70	0.500		
1.378	1.772					1.575	2.756	2.748		.098	1.181	1015			
44.00	56.00	C4	DB	3	C4-BR20-D-043	40.00	43.00	42.80		4.50	39.00	70	0.420		
1.732	2.205					1.575	1.693	1.685		.177	1.535	1015			
44.00	56.00	C5	DB	3	C5-BR20-D-085	50.00	85.00	84.80		4.50	39.00	70	0.950		
1.732	2.205					1.969	3.346	3.339		.177	1.535	1015			
55.00	71.00	C5	EB	3	C5-BR20-E-048	50.00	48.00	47.70		6.25	50.00	70	0.720		
2.165	2.795					1.969	1.890	1.878		.246	1.969	1015			
55.00	71.00	C6	EB	3	C6-BR20-E-102	63.00	102.00	101.70		6.25	50.00	70	1.800		
2.165	2.795					2.480	4.016	4.004		.246	1.969	1015			
70.00	90.00	C5	FB	3	C5-BR20-F-050	50.00	50.00	49.70		8.00	62.00	70	0.874		
2.756	3.543					1.969	1.969	1.957		.315	2.441	1015			
70.00	90.00	C6	FB	3	C6-BR20-F-058	63.00	58.00	57.70		8.00	62.00	70	1.340		
2.756	3.543					2.480	2.283	2.272		.315	2.441	1015			
89.00	116.00	C6	GB	3	C6-BR20-G-068	63.00	68.00	67.70		12.00	82.00	70	1.740		
3.504	4.567					2.480	2.677	2.665		.472	3.228	1015			
89.00	116.00	C8	GB	3	C8-BR20-G-072	80.00	72.00	71.70		12.00	82.00	70	2.650		
3.504	4.567					3.150	2.835	2.823		.472	3.228	1015			
115.00	150.00	C6	HB	3	C6-BR20-H-068	63.00	68.00	67.70		27.00	106.00	70	1.960		
4.528	5.906					2.480	2.677	2.665		1.063	4.173	1015			
115.00	150.00	C8	HB	3	C8-BR20-H-078	80.00	78.00	77.70		27.00	106.00	70	3.210		
4.528	5.906					3.150	3.071	3.059		1.063	4.173	1015			

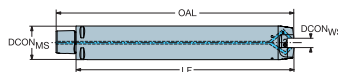


Coromant Capto® to CoroBore® BR20 damped tool body

Coromant Capto®

STDNO

ISO26623-1



					Dimensions, mm, inch									
DCN	DCX	CZC _{MS}	CZC _{WS}	CNSC	Ordering code	DCON _{MS}	ULDR	LU	LF	LF ₂	WF	BD ₁	BAR PSI	KG
23.00	29.00	C4	AB	3	C4-BR20D-A-189	40.00	6.00	169.00	189.00	188.80	1.40	20.00	70	0.720
.906	1.142					1.575		6.654	7.441	7.433	.055	.787	1015	
28.00	36.00	C3	BB	3	C3-BR20D-B-205	32.00	6.00	205.00	205.00	204.80	2.55	25.00	70	0.990
1.102	1.417					1.260		8.071	8.071	8.063	.100	.984	1015	
35.00	45.00	C3	CB	3	C3-BR20D-C-208	32.00	4.90	208.00	208.00	207.80	2.50	32.00	70	1.480
1.378	1.772					1.260		8.189	8.189	8.181	.098	1.260	1015	
35.00	45.00	C4	CB	3	C4-BR20D-C-257	40.00	6.00	257.00	257.00	256.80	2.50	32.00	70	1.920
1.378	1.772					1.575		10.118	10.118	10.110	.098	1.260	1015	
35.00	45.00	C6	CB	3	C6-BR20D-C-284	63.00	6.00	282.00	284.00	283.80	2.50	32.00	70	2.560
1.378	1.772					2.480		10.315	11.181	11.173	.098	1.260	1015	
44.00	56.00	C4	DB	3	C4-BR20D-D-207	40.00	3.90	207.00	207.00	206.80	4.50	40.00	70	2.300
1.732	2.205					1.575		8.150	8.150	8.142	.177	1.575	1015	
44.00	56.00	C5	DB	3	C5-BR20D-D-323	50.00	6.00	323.00	323.00	322.80	4.50	40.00	70	4.940
1.732	2.205					1.969		12.717	12.717	12.709	.177	1.575	1015	
44.00	56.00	C6	DB	3	C6-BR20D-D-350	63.00	6.00	328.00	350.00	349.80	4.50	40.00	70	4.270
1.732	2.205					2.480		12.913	13.780	13.772	.177	1.575	1015	
55.00	71.00	C5	EB	3	C5-BR20D-E-282	50.00	4.20	282.00	282.00	281.70	6.25	50.00	70	4.940
2.165	2.795					1.969		11.102	11.102	11.091	.246	1.969	1015	
55.00	71.00	C6	EB	3	C6-BR20D-E-382	63.00	5.60	382.00	382.00	381.70	6.25	50.00	70	6.800
2.165	2.795					2.480		15.039	15.039	15.028	.246	1.969	1015	
70.00	90.00	C6	FB	3	C6-BR20D-F-380	63.00	4.40	380.00	380.00	379.70	8.00	63.00	70	9.670
2.756	3.543					2.480		14.961	14.961	14.949	.315	2.480	1015	
70.00	90.00	C8	FB	3	C8-BR20D-F-480	80.00	5.60	480.00	480.00	479.70	8.00	63.00	70	12.420
2.756	3.543					3.150		18.898	18.898	18.886	.315	2.480	1015	
89.00	116.00	C8	GB	3	C8-BR20D-G-388	80.00	3.50	388.00	388.00	387.70	12.00	80.00	70	15.800
3.504	4.567					3.150		15.276	15.276	15.264	.472	3.150	1015	
89.00	116.00	C8	GB	3	C8-BR20D-G-478	80.00	4.30	478.00	478.00	477.70	12.00	80.00	70	18.150
3.504	4.567					3.150		18.819	18.819	18.807	.472	3.150	1015	
115.00	150.00	C8	HB	3	C8-BR20D-H-478	80.00	3.30	478.00	478.00	477.70	27.00	80.00	70	18.220
4.528	5.906					3.150		18.819	18.819	18.807	1.063	3.150	1015	



289

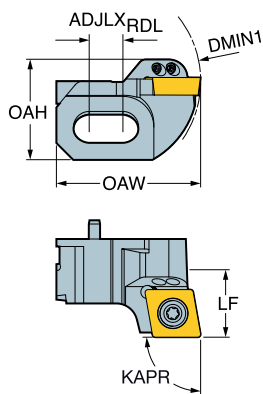
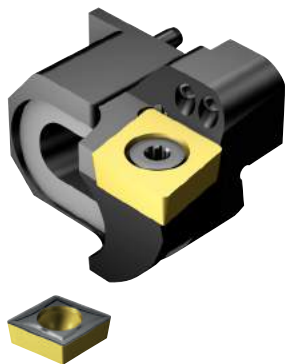


282

Slide-set for CoroBore® BR20

KAPR

90°



- CCMT, CCGT
CCGX, CCET
- CCMW

		Dimensions, mm, inch												
DMIN ₁		CZC _{MS}	CNSC	Ordering code	ADJLXRDL	LF	WF	OAH	OAW	BAR PSI	KG	CICT	MIID	
23.0	06	1/4	AA	1	BR20-AA-CC06F-10	3.00	10.00	10.10	13.00	17.70	70	0.010	1	CCMT 06 02 04
.906						.118	.394	.398	.512	.697	1015			
23.0	06	1/4	AB	1	BR20-AB-CC06F-10	3.00	10.20	10.10	13.00	17.70	70	0.010	1	CCMT 06 02 04
.906						.118	.402	.398	.512	.697	1015			
28.0	06	1/4	BA	1	BR20-BA-CC06F-11	4.00	11.00	11.45	14.00	20.60	70	0.020	1	CCMT 06 02 04
1.102						.157	.433	.451	.551	.811	1015			
28.0	06	1/4	BB	1	BR20-BB-CC06F-11	4.00	11.20	11.45	14.00	20.60	70	0.020	1	CCMT 06 02 04
1.102						.157	.441	.451	.551	.811	1015			
35.0	09	3/8	CA	1	BR20-CA-CC09F-13	5.00	13.00	15.00	18.90	26.20	70	0.030	1	CCMT 09 T3 08
1.378						.197	.512	.591	.744	1.032	1015			
35.0	09	3/8	CB	1	BR20-CB-CC09F-13	5.00	13.20	15.00	18.90	26.20	70	0.030	1	CCMT 09 T3 08
1.378						.197	.520	.591	.744	1.032	1015			
44.0	09	3/8	DA	1	BR20-DA-CC09F-13	6.00	13.00	17.50	21.50	31.20	70	0.040	1	CCMT 09 T3 08
1.732						.236	.512	.689	.846	1.228	1015			
44.0	09	3/8	DB	1	BR20-DB-CC09F-13	6.00	13.20	17.50	21.50	31.20	70	0.040	1	CCMT 09 T3 08
1.732						.236	.520	.689	.846	1.228	1015			
55.0	12	1/2	EA	1	BR20-EA-CC12F-18	8.00	18.00	21.25	26.80	38.50	70	0.070	1	CCMT 12 04 08
2.165						.315	.709	.837	1.055	1.516	1015			
55.0	12	1/2	EB	1	BR20-EB-CC12F-18	8.00	18.30	21.25	26.80	38.50	70	0.070	1	CCMT 12 04 08
2.165						.315	.720	.837	1.055	1.516	1015			
70.0	12	1/2	FA	1	BR20-FA-CC12F-20	10.00	20.00	27.00	30.90	48.00	70	0.116	1	CCMT 12 04 08
2.756						.394	.787	1.063	1.217	1.890	1015			
70.0	12	1/2	FB	1	BR20-FB-CC12F-20	10.00	20.30	27.00	30.90	48.00	70	0.120	1	CCMT 12 04 08
2.756						.394	.799	1.063	1.217	1.890	1015			
89.0	12	1/2	GA	1	BR20-GA-CC12F-22	13.50	22.00	32.50	32.80	61.00	70	0.170	1	CCMT 12 04 08
3.504						.531	.866	1.280	1.291	2.402	1015			
89.0	12	1/2	GB	1	BR20-GB-CC12F-22	13.50	22.30	32.50	32.80	61.00	70	0.170	1	CCMT 12 04 08
3.504						.531	.878	1.280	1.291	2.402	1015			
115.0	12	1/2	HA	1	BR20-HA-CC12F-22	17.50	22.00	30.50	32.80	78.50	70	0.210	1	CCMT 12 04 08
4.528						.689	.866	1.201	1.291	3.091	1015			
115.0	12	1/2	HB	1	BR20-HB-CC12F-22	17.50	22.30	30.50	32.80	78.50	70	0.210	1	CCMT 12 04 08
4.528						.689	.878	1.201	1.291	3.091	1015			



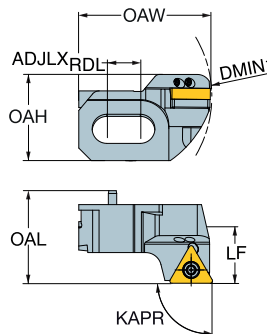
Slide-set for CoroBore® BR20

KAPR

90°



- TCMT, TCMX, TCGT, TCGX
- TCEX
- TCMW



		Dimensions, mm, inch												
DMIN ₁		IC	CZC _{MS}	CNSC	Ordering code	ADJLXRDL	LF	WF	OAH	OAW			CICT	MIID
28.0	09	7/32	BA	2	BR20-BA-TC09F-11	4.00	11.00	11.45	14.00	20.60	70	0.025	1	TCMT 09 02 04
1.102						.157	.433	.451	.551	.811	1015			
28.0	09	7/32	BB	2	BR20-BB-TC09F-11	4.00	11.20	11.45	14.00	20.60	70	0.025	1	TCMT 09 02 04
1.102						.157	.441	.451	.551	.811	1015			
35.0	11	1/4	CA	2	BR20-CA-TC11F-13	5.00	13.00	15.00	18.90	26.20	70	0.040	1	TCMT 11 03 04
1.378						.197	.512	.591	.744	1.032	1015			
35.0	11	1/4	CB	2	BR20-CB-TC11F-13	5.00	13.20	15.00	18.90	26.20	70	0.040	1	TCMT 11 03 04
1.378						.197	.520	.591	.744	1.032	1015			
44.0	11	1/4	DA	2	BR20-DA-TC11F-13	6.00	13.00	17.50	21.50	31.20	70	0.043	1	TCMT 11 03 04
1.732						.236	.512	.689	.846	1.228	1015			
44.0	11	1/4	DB	2	BR20-DB-TC11F-13	6.00	13.20	17.50	21.50	31.20	70	0.050	1	TCMT 11 03 04
1.732						.236	.520	.689	.846	1.228	1015			
55.0	16	3/8	EA	2	BR20-EA-TC16F-18	8.00	18.00	21.25	26.80	38.20	70	0.080	1	TCMT 16 T3 08
2.165						.315	.709	.837	1.055	1.504	1015			
55.0	16	3/8	EB	2	BR20-EB-TC16F-18	8.00	18.30	21.25	26.80	38.20	70	0.080	1	TCMT 16 T3 08
2.165						.315	.720	.837	1.055	1.504	1015			
70.0	16	3/8	FA	2	BR20-FA-TC16F-20	10.00	20.00	27.00	30.90	48.00	70	0.120	1	TCMT 16 T3 08
2.756						.394	.787	1.063	1.217	1.890	1015			
70.0	16	3/8	FB	2	BR20-FB-TC16F-20	10.00	20.30	27.00	30.90	48.00	70	0.120	1	TCMT 16 T3 08
2.756						.394	.799	1.063	1.217	1.890	1015			
89.0	16	3/8	GA	2	BR20-GA-TC16F-22	13.50	22.00	32.50	32.80	61.00	70	0.180	1	TCMT 16 T3 08
3.504						.531	.866	1.280	1.291	2.402	1015			
89.0	16	3/8	GB	2	BR20-GB-TC16F-22	13.50	22.30	32.50	32.80	61.00	70	0.180	1	TCMT 16 T3 08
3.504						.531	.878	1.280	1.291	2.402	1015			
115.0	16	3/8	HA	2	BR20-HA-TC16F-22	17.50	22.00	30.50	32.80	78.50	70	0.230	1	TCMT 16 T3 08
4.528						.689	.866	1.201	1.291	3.091	1015			
115.0	16	3/8	HB	2	BR20-HB-TC16F-22	17.50	22.30	30.50	32.80	78.50	70	0.230	1	TCMT 16 T3 08
4.528						.689	.878	1.201	1.291	3.091	1015			



289



282

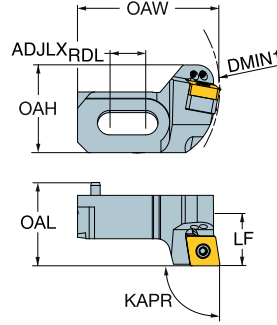
Slide-set for CoroBore® BR20





KAPR

90°



 CNMU



					Dimensions, mm, inch									
DMIN1			CZC _{MS}	CNSC	Ordering code	ADJLX _{RDL}	LF	WF	OAH	OAW			CICT	MIID
70.0	12	1/2	FA	2	BR20-FA-CN12F-20	10.00	20.00	27.00	35.70	48.00	70	0.130	1	CNMU 12 04 12
2.756						.394	.787	1.063	1.406	1.890	1015			
70.0	12	1/2	FB	2	BR20-FB-CN12F-20	10.00	20.30	27.00	35.70	48.00	70	0.129	1	CNMU 12 04 12
2.756						.394	.799	1.063	1.406	1.890	1015			
89.0	12	1/2	GA	2	BR20-GA-CN12F-22	13.50	22.00	32.50	37.60	61.00	70	0.192	1	CNMU 12 04 12
3.504						.531	.866	1.280	1.480	2.402	1015			
89.0	12	1/2	GB	2	BR20-GB-CN12F-22	13.50	22.30	32.50	37.60	61.00	70	0.200	1	CNMU 12 04 12
3.504						.531	.878	1.280	1.480	2.402	1015			
115.0	12	1/2	HA	2	BR20-HA-CN12F-22	17.50	22.00	30.50	37.60	78.50	70	0.240	1	CNMU 12 04 12
4.528						.689	.866	1.201	1.480	3.091	1015			
115.0	12	1/2	HB	2	BR20-HB-CN12F-22	17.50	22.30	30.50	37.60	78.50	70	0.240	1	CNMU 12 04 12
4.528						.689	.878	1.201	1.480	3.091	1015			



289



282

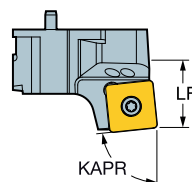
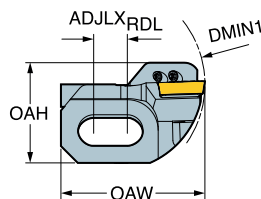
Slide-set for CoroBore® BR20

KAPR

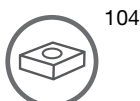
84°



SPMT



		Dimensions, mm, inch												
DMIN1	CZC _{MS}	CNSC	Ordering code	ADJL _{RDL}	LF	WF	OAH	OAW	BAR PSI	KG	CICT	MIID		
23.0 .906	06 06	AA	1 BR20-AA-SP06Y-10	3.00 .118	10.00 .394	10.10 .398	13.00 .512	17.70 .697	70 1015	0.010	1	SPMT 0606-BM		
23.0 .906	06 06	AB	1 BR20-AB-SP06Y-10	3.00 .118	10.20 .402	10.10 .398	13.00 .512	17.70 .697	70 1015	0.010	1	SPMT 0606-BM		
28.0 1.102	06 06	BA	1 BR20-BA-SP06Y-11	4.00 .157	11.00 .433	11.45 .451	14.00 .551	20.60 .811	70 1015	0.020	1	SPMT 0606-BM		
28.0 1.102	06 06	BB	1 BR20-BB-SP06Y-11	4.00 .157	11.20 .441	11.45 .451	14.00 .551	20.60 .811	70 1015	0.020	1	SPMT 0606-BM		
35.0 1.378	08 08	CA	1 BR20-CA-SP08Y-13	5.00 .197	13.00 .512	15.00 .591	18.90 .744	26.20 1.032	70 1015	0.030	1	SPMT 0808-BM		
35.0 1.378	08 08	CB	1 BR20-CB-SP08Y-13	5.00 .197	13.20 .520	15.00 .591	18.90 .744	26.20 1.032	70 1015	0.030	1	SPMT 0808-BM		
44.0 1.732	08 08	DA	1 BR20-DA-SP08Y-13	6.00 .236	13.00 .512	17.50 .689	21.50 .846	31.20 1.228	70 1015	0.040	1	SPMT 0808-BM		
44.0 1.732	08 08	DB	1 BR20-DB-SP08Y-13	6.00 .236	13.20 .520	17.50 .689	21.50 .846	31.20 1.228	70 1015	0.030	1	SPMT 0808-BM		
55.0 2.165	12 12	EA	1 BR20-EA-SP12Y-18	8.00 .315	18.00 .709	21.25 .837	26.80 1.055	38.50 1.516	70 1015	0.070	1	SPMT 1210-BM		
55.0 2.165	12 12	EB	1 BR20-EB-SP12Y-18	8.00 .315	18.30 .720	21.25 .837	26.80 1.055	38.50 1.516	70 1015	0.070	1	SPMT 1210-BM		
70.0 2.756	12 12	FA	1 BR20-FA-SP12Y-20	10.00 .394	20.00 .787	27.00 1.063	30.90 1.217	48.00 1.890	70 1015	0.120	1	SPMT 1210-BM		
70.0 2.756	12 12	FB	1 BR20-FB-SP12Y-20	10.00 .394	20.30 .799	27.00 1.063	30.90 1.217	48.00 1.890	70 1015	0.120	1	SPMT 1210-BM		
89.0 3.504	12 12	GA	1 BR20-GA-SP12Y-22	13.50 .531	22.00 .866	32.50 1.280	32.80 1.291	61.00 2.402	70 1015	0.170	1	SPMT 1210-BM		
89.0 3.504	12 12	GB	1 BR20-GB-SP12Y-22	13.50 .531	22.30 .878	32.50 1.280	32.80 1.291	61.00 2.402	70 1015	0.170	1	SPMT 1210-BM		
115.0 4.528	12 12	HA	1 BR20-HA-SP12Y-22	17.50 .689	22.00 .866	30.50 1.201	32.80 1.291	78.50 3.091	70 1015	0.210	1	SPMT 1210-BM		
115.0 4.528	12 12	HB	1 BR20-HB-SP12Y-22	17.50 .689	22.30 .878	30.50 1.201	32.80 1.291	78.50 3.091	70 1015	0.210	1	SPMT 1210-BM		



104



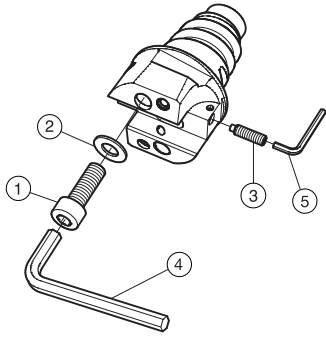
289



282

Spare parts

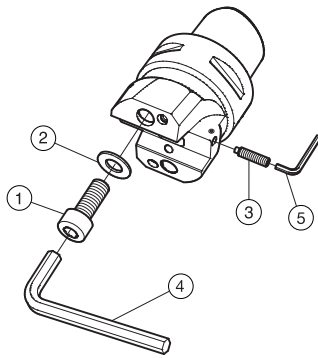
Coromant EH to CoroBore® BR20 tool body



	Spare parts			Accessories
	1	2	3	4
Ordering code	Screw	Washer	Set screw	Key
EH20-BR20-A-015	5512 060-32	5565 010-16	3214 020-155	3021 010-025
EH25-BR20-B-014	3212 010-258	3846 010-014	3214 020-156	3021 010-030
	Accessories			
	5			
Ordering code	Key			
EH20-BR20-A-015	3021 012-013			
EH25-BR20-B-014	3021 012-013			

Spare parts

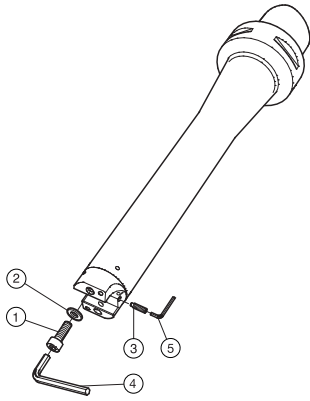
Coromant Capto® to CoroBore® BR20 tool body



	Spare parts			Accessories
	1	2	3	4
Ordering code	Screw	Cup spring	Set screw	Key
C3-BR20-A-066	5512 060-32	5565 010-16	3214 020-155	3021 010-025
C3-BR20-B-072	3212 010-258	3846 010-014	3214 020-156	3021 010-030
C3-BR20-C-035	3212 010-349	3846 010-023	3214 020-207	3021 010-040
C4-BR20-C-070	3212 010-349	3846 010-023	3214 020-207	3021 010-040
C4-BR20-D-043	3212 010-359	3846 010-033	3214 020-208	3021 010-050
C5-BR20-D-085	3212 010-359	3846 010-033	3214 020-208	3021 010-050
C5-BR20-E-048	3212 010-410	3846 010-048	3214 020-259	3021 010-060
C6-BR20-E-102	3212 010-410	3846 010-048	3214 020-259	3021 010-060
C5-BR20-F-050	3212 010-461	3846 010-069	3214 020-260	3021 010-080
C6-BR20-F-058	3212 010-461	3846 010-069	3214 020-260	3021 010-080
C6-BR20-G-068	3212 010-461	3846 010-069	3214 020-311	3021 010-080
C8-BR20-G-072	3212 010-461	3846 010-069	3214 020-311	3021 010-080
C6-BR20-H-068	3212 010-461	3846 010-069	3214 020-312	3021 010-080
C8-BR20-H-078	3212 010-461	3846 010-069	3214 020-312	3021 010-080
	Accessories			
	5			
Ordering code	Key			
C3-BR20-A-066	3021 012-013			
C3-BR20-B-072	3021 012-013			
C3-BR20-C-035	3021 012-015			
C4-BR20-C-070	3021 012-015			
C4-BR20-D-043	3021 012-015			
C5-BR20-D-085	3021 012-015			
C5-BR20-E-048	3021 012-020			
C6-BR20-E-102	3021 012-020			
C5-BR20-F-050	3021 012-020			
C6-BR20-F-058	3021 012-020			
C6-BR20-G-068	3021 010-025			
C8-BR20-G-072	3021 010-025			
C6-BR20-H-068	3021 010-025			
C8-BR20-H-078	3021 010-025			

Spare parts

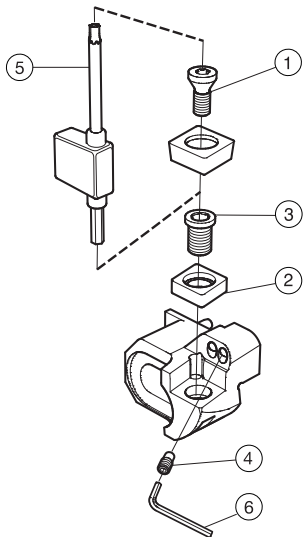
Coromant Capto® to CoroBore® BR20 damped tool body



	Spare parts			Accessories
	1	2	3	4
Ordering code	Screw	Cup spring	Set screw	Key
C4-BR20D-A-189	5512 060-32	5565 010-16	3214 020-155	3021 010-025
C3-BR20D-B-205	3212 010-258	3846 010-014	3214 020-156	3021 010-030
C3-BR20D-C-208	3212 010-349	3846 010-023	3214 020-207	3021 010-040
C4-BR20D-C-257	3212 010-349	3846 010-023	3214 020-207	3021 010-040
C6-BR20D-C-284	3212 010-349	3846 010-023	3214 020-207	3021 010-040
C4-BR20D-D-207	3212 010-359	3846 010-033	3214 020-208	3021 010-050
C5-BR20D-D-323	3212 010-359	3846 010-033	3214 020-208	3021 010-050
C6-BR20D-D-350	3212 010-359	3846 010-033	3214 020-208	3021 010-050
C5-BR20D-E-282	3212 010-410	3846 010-048	3214 020-259	3021 010-060
C6-BR20D-E-382	3212 010-410	3846 010-048	3214 020-259	3021 010-060
C6-BR20D-F-380	3212 010-461	3846 010-069	3214 020-260	3021 010-080
C8-BR20D-F-480	3212 010-461	3846 010-069	3214 020-260	3021 010-080
C8-BR20D-G-388	3212 010-461	3846 010-069	3214 020-311	3021 010-080
C8-BR20D-G-478	3212 010-461	3846 010-069	3214 020-311	3021 010-080
C8-BR20D-H-478	3212 010-461	3846 010-069	3214 020-312	3021 010-080
	Accessories			
	5			
Ordering code	Key			
C4-BR20D-A-189	3021 012-013			
C3-BR20D-B-205	3021 012-013			
C3-BR20D-C-208	3021 012-015			
C4-BR20D-C-257	3021 012-015			
C6-BR20D-C-284	3021 012-015			
C4-BR20D-D-207	3021 012-015			
C5-BR20D-D-323	3021 012-015			
C6-BR20D-D-350	3021 012-015			
C5-BR20D-E-282	3021 012-020			
C6-BR20D-E-382	3021 012-020			
C6-BR20D-F-380	3021 012-020			
C8-BR20D-F-480	3021 012-020			
C8-BR20D-G-388	3021 010-025			
C8-BR20D-G-478	3021 010-025			
C8-BR20D-H-478	3021 010-025			

Spare parts

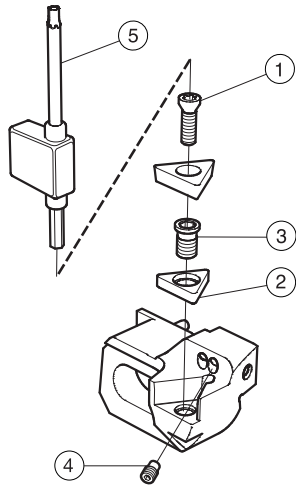
Slide-set for CoroBore® BR20



Spare parts				
	1	2	3	4
Ordering code	Insert screw	Shim	Shim screw	Nozzle
BR20-AA-CC06F-10	5513 020-03			
BR20-AB-CC06F-10	5513 020-03			
BR20-BA-CC06F-11	5513 020-03			
BR20-BB-CC06F-11	5513 020-03			
BR20-CA-CC09F-13	5513 020-09			
BR20-CB-CC09F-13	5513 020-09			
BR20-DA-CC09F-13	5513 020-09			
BR20-DB-CC09F-13	5513 020-09			
BR20-EA-CC12F-18	5513 020-17			5691 026-13
BR20-EB-CC12F-18	5513 020-17			5691 026-13
BR20-FA-CC12F-20	5513 020-17	5322 232-02	5512 090-03	5691 026-13
BR20-FB-CC12F-20	5513 020-17	5322 232-02	5512 090-03	5691 026-13
BR20-GA-CC12F-22	5513 020-17	5322 232-02	5512 090-03	5691 026-13
BR20-GB-CC12F-22	5513 020-17	5322 232-02	5512 090-03	5691 026-13
BR20-HA-CC12F-22	5513 020-17	5322 232-02	5512 090-03	5691 026-13
BR20-HB-CC12F-22	5513 020-17	5322 232-02	5512 090-03	5691 026-13
Accessories				
	5	6		
Ordering code	Key	Key		
BR20-AA-CC06F-10	5680 051-02			
BR20-AB-CC06F-10	5680 051-02			
BR20-BA-CC06F-11	5680 051-02			
BR20-BB-CC06F-11	5680 051-02			
BR20-CA-CC09F-13	5680 049-02			
BR20-CB-CC09F-13	5680 049-02			
BR20-DA-CC09F-13	5680 049-02			
BR20-DB-CC09F-13	5680 049-02			
BR20-EA-CC12F-18	5680 049-02	3021 012-015		
BR20-EB-CC12F-18	5680 049-02	3021 012-015		
BR20-FA-CC12F-20	5680 049-02	3021 012-015		
BR20-FB-CC12F-20	5680 049-02	3021 012-015		
BR20-GA-CC12F-22	5680 049-02	3021 012-015		
BR20-GB-CC12F-22	5680 049-02	3021 012-015		
BR20-HA-CC12F-22	5680 049-02	3021 012-015		
BR20-HB-CC12F-22	5680 049-02	3021 012-015		

Spare parts

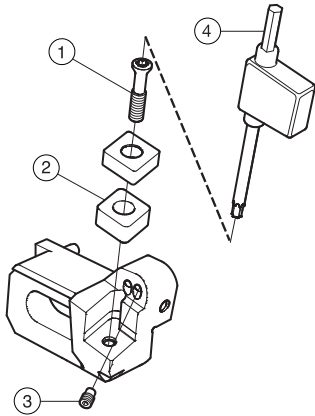
Slide-set for CoroBore® BR20



Spare parts				
	1	2	3	4
Ordering code	Insert screw	Shim	Shim screw	Nozzle
BR20-BA-TC09F-11	5513 020-05			
BR20-BB-TC09F-11	5513 020-05			
BR20-CA-TC11F-13	5513 020-03			
BR20-CB-TC11F-13	5513 020-03			
BR20-DA-TC11F-13	5513 020-03			
BR20-DB-TC11F-13	5513 020-03			
BR20-EA-TC16F-18	5513 020-09			5691 026-13
BR20-EB-TC16F-18	5513 020-09			5691 026-13
BR20-FA-TC16F-20	5513 020-09	5322 320-01	5512 090-01	5691 026-13
BR20-FB-TC16F-20	5513 020-09	5322 320-01	5512 090-01	5691 026-13
BR20-GA-TC16F-22	5513 020-09	5322 320-01	5512 090-01	5691 026-13
BR20-GB-TC16F-22	5513 020-09	5322 320-01	5512 090-01	5691 026-13
BR20-HA-TC16F-22	5513 020-09	5322 320-01	5512 090-01	5691 026-13
BR20-HB-TC16F-22	5513 020-09	5322 320-01	5512 090-01	5691 026-13
Accessories				
	5			
Ordering code	Key			
BR20-BA-TC09F-11	5680 046-03			
BR20-BB-TC09F-11	5680 046-03			
BR20-CA-TC11F-13	5680 046-03			
BR20-CB-TC11F-13	5680 046-03			
BR20-DA-TC11F-13	5680 046-03			
BR20-DB-TC11F-13	5680 046-03			
BR20-EA-TC16F-18	5680 046-02			
BR20-EB-TC16F-18	5680 046-02			
BR20-FA-TC16F-20	5680 049-01			
BR20-FB-TC16F-20	5680 049-01			
BR20-GA-TC16F-22	5680 049-01			
BR20-GB-TC16F-22	5680 049-01			
BR20-HA-TC16F-22	5680 049-01			
BR20-HB-TC16F-22	5680 049-01			

Spare parts

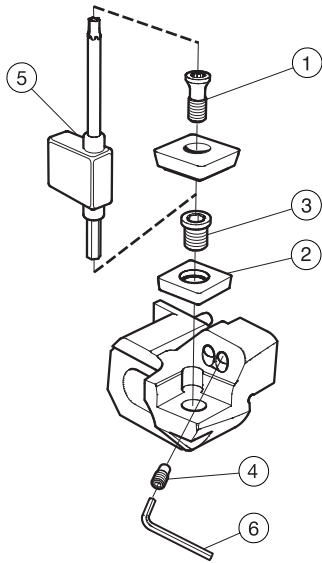
Slide-set for CoroBore® BR20



	Spare parts			Accessories
	1	2	3	4
Ordering code	Insert screw	Shim	Nozzle	Key
BR20-FA-CN12F-20	5513 020-49	5322 234-01	5691 026-13	5680 046-02
BR20-FB-CN12F-20	5513 020-49	5322 234-01	5691 026-13	5680 046-02
BR20-GA-CN12F-22	5513 020-49	5322 234-01	5691 026-13	5680 046-02
BR20-GB-CN12F-22	5513 020-49	5322 234-01	5691 026-13	5680 046-02
BR20-HA-CN12F-22	5513 020-49	5322 234-01	5691 026-13	5680 046-02
BR20-HB-CN12F-22	5513 020-49	5322 234-01	5691 026-13	5680 046-02

Spare parts

Slide-set for CoroBore® BR20



Spare parts				
	1	2	3	4
Ordering code	Insert screw	Shim	Shim screw	Nozzle
BR20-AA-SP06Y-10	5513 020-33			
BR20-AB-SP06Y-10	5513 020-33			
BR20-BA-SP06Y-11	5513 020-33			
BR20-BB-SP06Y-11	5513 020-33			
BR20-CA-SP08Y-13	5513 020-57			
BR20-CB-SP08Y-13	5513 020-57			
BR20-DA-SP08Y-13	5513 020-57			
BR20-DB-SP08Y-13	5513 020-57			
BR20-EA-SP12Y-18	5513 020-89			5691 026-13
BR20-EB-SP12Y-18	5513 020-89			5691 026-13
BR20-FA-SP12Y-20	5513 020-89	5322 427-01	5512 090-09	5691 026-13
BR20-FB-SP12Y-20	5513 020-89	5322 427-01	5512 090-09	5691 026-13
BR20-GA-SP12Y-22	5513 020-89	5322 427-01	5512 090-09	5691 026-13
BR20-GB-SP12Y-22	5513 020-89	5322 427-01	5512 090-09	5691 026-13
BR20-HA-SP12Y-22	5513 020-89	5322 427-01	5512 090-09	5691 026-13
BR20-HB-SP12Y-22	5513 020-89	5322 427-01	5512 090-09	5691 026-13
Accessories				
	5	6		
Ordering code	Key	Key		
BR20-AA-SP06Y-10	5680 051-02			
BR20-AB-SP06Y-10	5680 051-02			
BR20-BA-SP06Y-11	5680 051-02			
BR20-BB-SP06Y-11	5680 051-02			
BR20-CA-SP08Y-13	5680 049-03			
BR20-CB-SP08Y-13	5680 049-03			
BR20-DA-SP08Y-13	5680 049-03			
BR20-DB-SP08Y-13	5680 049-03			
BR20-EA-SP12Y-18	5680 049-04	3021 012-015		
BR20-EB-SP12Y-18	5680 049-04	3021 012-015		
BR20-FA-SP12Y-20	5680 049-04	3021 012-015		
BR20-FB-SP12Y-20	5680 049-04	3021 012-015		
BR20-GA-SP12Y-22	5680 049-04	3021 012-015		
BR20-GB-SP12Y-22	5680 049-04	3021 012-015		
BR20-HA-SP12Y-22	5680 049-04	3021 012-015		
BR20-HB-SP12Y-22	5680 049-04	3021 012-015		

CoroBore® BR30

Multi-edge rough boring tools for maximum productivity

Application

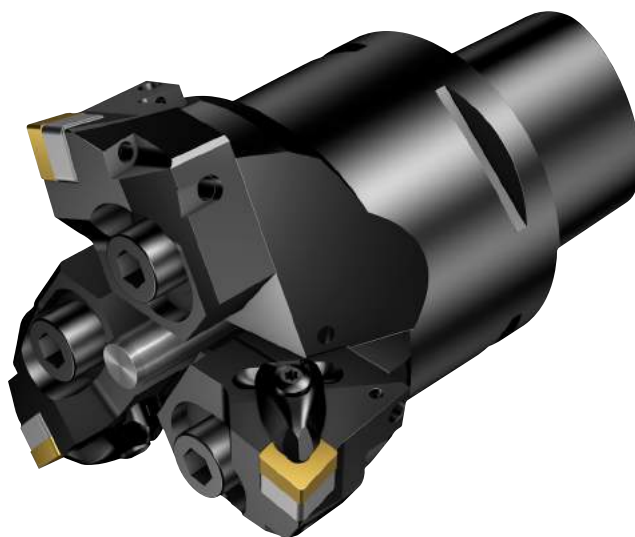
- Rough boring
- Multi-edge boring
- Step boring
- Single edge boring

ISO application area:



Benefits and features

- Highly productive multi cutting edge tool for maximum metal removal rate.
- Laser-marked scale on adaptor for increased user-friendliness when setting diameter.
- Modularity with Coromant Capto®.
- High pressure coolant through adaptor
- Step boring: Additional shims available, to be ordered separately
- Short, rigid and compact giving maximum stability



www.sandvik.coromant.com/coroborebr30

Tools

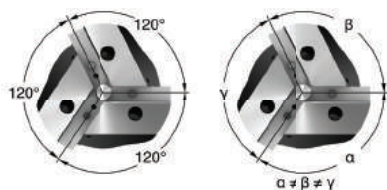
Couplings:

- Coromant Capto®

Inserts

Standard inserts with dedicated grades and geometries for all materials

- CoroBore® 111
- CoroTurn® 107
- T-max® P



The differential pitch reduces vibration tendencies – tools can be used at longer overhangs and larger depth of cuts.



From diameter 85 to 205 mm (3.346 to 8.071 inch), CoroBore® BR30 is available with up to 8 cutting edges for maximum metal removal rate.



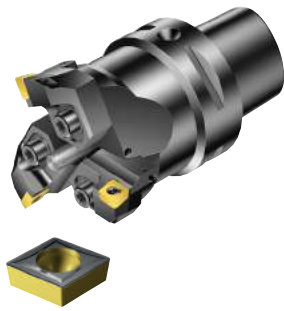
If no pre-setter is available, adjust diameter of CoroBore BR30 by measuring the distance from pin to insert and subtract half the pin diameter. Multiply by two for the effective boring diameter.



Dedicated CoroBore® 111 rough boring inserts. With excellent chip breaking and increased lifetime.

CoroBore® BR30 three-edge rough boring tool

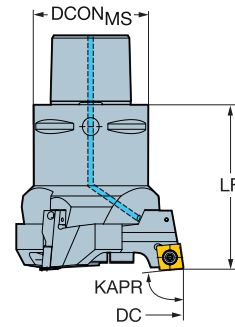
Coromant Capto® - Internal coolant supply



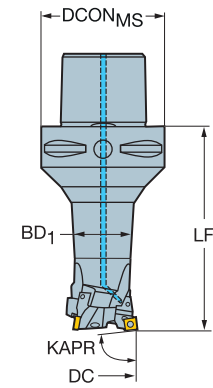
- CCMT, CCGT
CCGX, CCET
- CCMW

KAPR

90°



90°



							Dimensions, mm, inch										
DCN	DCX			CZC _{MS}	CNSC	Ordering code	DCN _{MS}	ADJLX _{RDL}	ULDR	LF	BD ₁			CICT	MIID		
35.00	40.50	06	1/4	C3	3	BR30-41CC06F-C3	32.00	2.75		48.00		70	0.250	3	CCMT 06 02 04		
1.378	1.594						1.260	.108		1.890		1015					
35.00	40.50	06	1/4	C4	3	BR30-41CC06F-C4	40.00	2.75	1.50	83.00	31.50	70	0.640	3	CCMT 06 02 04		
1.378	1.594						1.575	.108		3.268	1.240	1015					
39.50	45.00	06	1/4	C3	3	BR30-45CC06F-C3	32.00	2.75		48.00		70	0.280	3	CCMT 06 02 04		
1.555	1.772						1.260	.108		1.890		1015					
39.50	45.00	06	1/4	C4	3	BR30-45CC06F-C4	40.00	2.75	1.50	83.00	31.50	70	0.670	3	CCMT 06 02 04		
1.555	1.772						1.575	.108		3.268	1.240	1015					
44.00	50.50	06	1/4	C4	3	BR30-51CC06F-C4	40.00	3.25		56.00		70	0.620	3	CCMT 06 02 04		
1.732	1.988						1.575	.128		2.205		1015					
44.00	50.50	06	1/4	C5	3	BR30-51CC06F-C5	50.00	3.25	1.50	98.00	39.60	70	1.180	3	CCMT 06 02 04		
1.732	1.988						1.969	.128		3.858	1.559	1015					
49.50	56.00	06	1/4	C4	3	BR30-56CC06F-C4	40.00	3.25		56.00		70	0.650	3	CCMT 06 02 04		
1.949	2.205						1.575	.128		2.205		1015					
49.50	56.00	09	3/8	C4	3	BR30-56CC09F-C4	40.00	3.25		58.00		70	0.641	3	CCMT 09 T3 08		
1.949	2.205						1.575	.128		2.283		1015					
49.50	56.00	06	1/4	C5	3	BR30-56CC06F-C5	50.00	3.25	1.50	98.00	39.60	70	1.350	3	CCMT 06 02 04		
1.949	2.205						1.969	.128		3.858	1.559	1015					
49.50	56.00	09	3/8	C5	3	BR30-56CC09F-C5	50.00	3.25	1.50	100.00	39.60	70	1.240	3	CCMT 09 T3 08		
1.949	2.205						1.969	.128		3.937	1.559	1015					
55.00	63.00	09	3/8	C5	3	BR30-63CC09F-C5	50.00	4.00		66.00		70	0.890	3	CCMT 09 T3 08		
2.165	2.480						1.969	.157		2.598		1015					
55.00	63.00	09	3/8	C6	3	BR30-63CC09F-C6	63.00	4.00	1.50	120.00	49.50	70	1.980	3	CCMT 09 T3 08		
2.165	2.480						2.480	.157		4.724	1.949	1015					
62.00	70.00	09	3/8	C5	3	BR30-70CC09F-C5	50.00	4.00		66.00		70	0.920	3	CCMT 09 T3 08		
2.441	2.756						1.969	.157		2.598		1015					
62.00	70.00	12	1/2	C5	3	BR30-70CC12F-C5	50.00	4.00		68.00		70	0.980	3	CCMT 12 04 08		
2.441	2.756						1.969	.157		2.677		1015					
62.00	70.00	09	3/8	C6	3	BR30-70CC09F-C6	63.00	4.00	1.50	120.00	49.50	70	2.312	3	CCMT 09 T3 08		
2.441	2.756						2.480	.157		4.724	1.949	1015					
62.00	70.00	12	1/2	C6	3	BR30-70CC12F-C6	63.00	4.00	1.50	122.00	49.50	70	2.070	3	CCMT 12 04 08		
2.441	2.756						2.480	.157		4.803	1.949	1015					

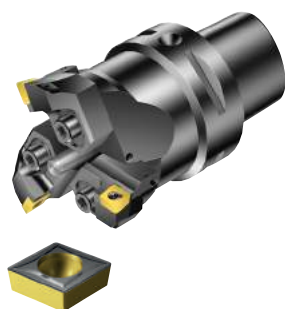
For inserts, see Turning tools catalogue

For all DSGN 2; LU = DC*ULDR



CoroBore® BR30 three-edge rough boring tool

Coromant Capto® - Internal coolant supply

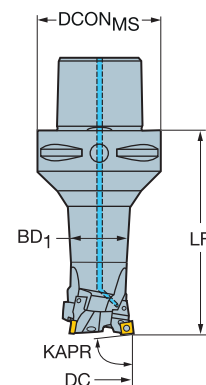
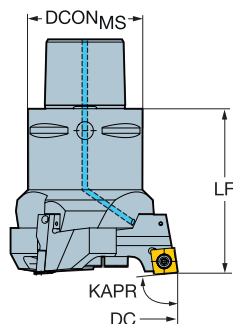


- CCMT, CCGT
CCGX, CCET
- CCMW

KAPR

90°

90°



							Dimensions, mm, inch								
DCN	DCX			CZC _{MS}	CNSC	Ordering code	DCON _{MS}	ADJLX _{RDL}	ULDR	LF	BD ₁			CICT	MID
69.00	78.50	12	1/2	C5	3	BR30-79CC12F-C5	50.00	4.75		70.00	70	1.180	3	CCMT 12 04 08	
2.717	3.091						1.969	.187		2.756	1015				
69.00	78.50	12	1/2	C6	3	BR30-79CC12F-C6	63.00	4.75		78.00	70	2.130	3	CCMT 12 04 08	
2.717	3.091						2.480	.187		3.071	1015				
77.50	87.00	12	1/2	C5	3	BR30-87CC12F-C5	50.00	4.75		70.00	70	1.210	3	CCMT 12 04 08	
3.051	3.425						1.969	.187		2.756	1015				
77.50	87.00	12	1/2	C6	3	BR30-87CC12F-C6	63.00	4.75		78.00	70	1.967	3	CCMT 12 04 08	
3.051	3.425						2.480	.187		3.071	1015				
86.00	97.00	12	1/2	C6	3	BR30-97CC12F-C6	63.00	5.50		90.00	70	2.280	3	CCMT 12 04 08	
3.386	3.819						2.480	.217		3.543	1015				
86.00	97.00	12	1/2	C8	3	BR30-97CC12F-C8	80.00	5.50		94.00	70	3.300	3	CCMT 12 04 08	
3.386	3.819						3.150	.217		3.701	1015				
96.00	107.00	12	1/2	C6	3	BR30-107CC12F-C6	63.00	5.50		90.00	70	2.340	3	CCMT 12 04 08	
3.780	4.213						2.480	.217		3.543	1015				
96.00	107.00	12	1/2	C8	3	BR30-107CC12F-C8	80.00	5.50		94.00	70	3.360	3	CCMT 12 04 08	
3.780	4.213						3.150	.217		3.701	1015				
106.00	122.00	12	1/2	C8	3	BR30-122CC12F-C8	80.00	8.00		100.00	70	4.100	3	CCMT 12 04 08	
4.173	4.803						3.150	.315		3.937	1015				
121.00	137.00	12	1/2	C8	3	BR30-137CC12F-C8	80.00	8.00		100.00	70	4.250	3	CCMT 12 04 08	
4.764	5.394						3.150	.315		3.937	1015				
136.00	152.00	12	1/2	C8	3	BR30-152CC12F-C8	80.00	8.00		100.00	70	4.760	3	CCMT 12 04 08	
5.354	5.984						3.150	.315		3.937	1015				
151.00	167.00	12	1/2	C8	3	BR30-167CC12F-C8	80.00	8.00		100.00	70	4.880	3	CCMT 12 04 08	
5.945	6.575						3.150	.315		3.937	1015				
166.00	191.00	12	1/2	C8	3	BR30-191CC12F-C8	80.00	12.50		115.00	70	6.860	3	CCMT 12 04 08	
6.535	7.520						3.150	.492		4.528	1015				
189.00	214.00	12	1/2	C8	3	BR30-214CC12F-C8	80.00	12.50		115.00	70	7.130	3	CCMT 12 04 08	
7.441	8.425						3.150	.492		4.528	1015				

For inserts, see Turning tools catalogue

For all DSGN 2; LU = DC*ULDR

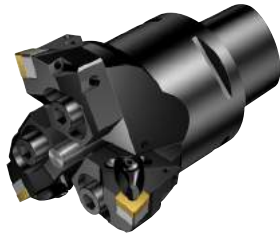


CoroBore® BR30 three-edge rough boring tool

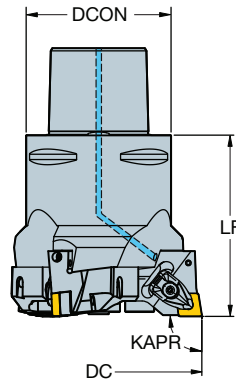
Coromant Capto® - Internal coolant supply





KAPR

90°



-  CNMM
-  CNMG
-  CNMA, CNGA



							Dimensions, mm, inch						
DCN	DCX			CZC _{MS}	CNSC	Ordering code	DCON _{MS}	ADJLX _{RDL}	LF			CICT	MIID
106.00 4.173	122.00 4.803	12	1/2	C8	3	BR30-122CN12F-C8	80.00 3.150	8.00 .315	100.00 3.937	70 1015	4.190	3	CNMG 12 04 08
121.00 4.764	137.00 5.394	12	1/2	C8	3	BR30-137CN12F-C8	80.00 3.150	8.00 .315	100.00 3.937	70 1015	4.340	3	CNMG 12 04 08
136.00 5.354	152.00 5.984	12	1/2	C8	3	BR30-152CN12F-C8	80.00 3.150	8.00 .315	100.00 3.937	70 1015	4.820	3	CNMG 12 04 08
151.00 5.945	167.00 6.575	12	1/2	C8	3	BR30-167CN12F-C8	80.00 3.150	8.00 .315	100.00 3.937	70 1015	4.970	3	CNMG 12 04 08
166.00 6.535	191.00 7.520	16	5/8	C8	3	BR30-191CN16F-C8	80.00 3.150	12.50 .492	119.00 4.685	70 1015	7.430	3	CNMG 16 06 12
189.00 7.441	214.00 8.425	16	5/8	C8	3	BR30-214CN16F-C8	80.00 3.150	12.50 .492	119.00 4.685	70 1015	22.400	3	CNMG 16 06 12

For inserts, see Turning tools catalogue



CoroBore® BR30 three-edge rough boring tool

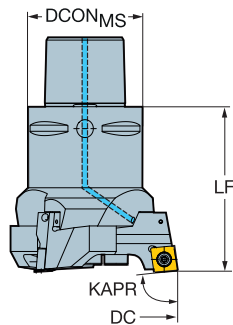
Coromant Capto® - Internal coolant supply

KAPR

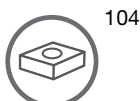
84°



SPMT



							Dimensions, mm, inch							
DCN	DCX			CZC _{MS}	CNSC	Ordering code	DCON _{MS}	ADJLX _{SDL}	LF			CICT	MIID	
35.00	40.50	06	06	C3	3	BR30-41SP06Y-C3	32.00	2.75	48.00	70	0.250	3	SPMT 0606-BM	
1.378	1.594						1.260	.108	1.890	1015				
39.50	45.00	06	06	C3	3	BR30-45SP06Y-C3	32.00	2.75	48.00	70	0.280	3	SPMT 0606-BM	
1.555	1.772						1.260	.108	1.890	1015				
44.00	50.50	06	06	C4	3	BR30-51SP06Y-C4	40.00	3.25	56.00	70	0.620	3	SPMT 0606-BM	
1.732	1.988						1.575	.128	2.205	1015				
49.50	56.00	08	08	C4	3	BR30-56SP08Y-C4	40.00	3.25	58.00	70	0.640	3	SPMT 0808-BM	
1.949	2.205						1.575	.128	2.283	1015				
55.00	63.00	08	08	C5	3	BR30-63SP08Y-C5	50.00	4.00	66.00	70	0.890	3	SPMT 0808-BM	
2.165	2.480						1.969	.157	2.598	1015				
62.00	70.00	12	12	C5	3	BR30-70SP12Y-C5	50.00	4.00	68.00	70	0.980	3	SPMT 1210-BM	
2.441	2.756						1.969	.157	2.677	1015				
69.00	78.50	12	12	C6	3	BR30-79SP12Y-C6	63.00	4.75	78.00	70	1.922	3	SPMT 1210-BM	
2.717	3.091						2.480	.187	3.071	1015				
77.50	87.00	12	12	C6	3	BR30-87SP12Y-C6	63.00	4.75	78.00	70	2.190	3	SPMT 1210-BM	
3.051	3.425						2.480	.187	3.071	1015				
86.00	97.00	12	12	C8	3	BR30-97SP12Y-C8	80.00	5.50	94.00	70	3.300	3	SPMT 1210-BM	
3.386	3.819						3.150	.217	3.701	1015				
96.00	107.00	12	12	C8	3	BR30-107SP12Y-C8	80.00	5.50	94.00	70	3.360	3	SPMT 1210-BM	
3.780	4.213						3.150	.217	3.701	1015				
106.00	122.00	12	12	C8	3	BR30-122SP12Y-C8	80.00	8.00	100.00	70	4.100	3	SPMT 1210-BM	
4.173	4.803						3.150	.315	3.937	1015				
121.00	137.00	12	12	C8	3	BR30-137SP12Y-C8	80.00	8.00	100.00	70	4.250	3	SPMT 1210-BM	
4.764	5.394						3.150	.315	3.937	1015				
136.00	152.00	12	12	C8	3	BR30-152SP12Y-C8	80.00	8.00	100.00	70	4.760	3	SPMT 1210-BM	
5.354	5.984						3.150	.315	3.937	1015				
151.00	167.00	12	12	C8	3	BR30-167SP12Y-C8	80.00	8.00	100.00	70	4.880	3	SPMT 1210-BM	
5.945	6.575						3.150	.315	3.937	1015				
166.00	191.00	12	12	C8	3	BR30-191SP12Y-C8	80.00	12.50	115.00	70	6.860	3	SPMT 1210-BM	
6.535	7.520						3.150	.492	4.528	1015				
189.00	214.00	12	12	C8	3	BR30-214SP12Y-C8	80.00	12.50	115.00	70	7.130	3	SPMT 1210-BM	
7.441	8.425						3.150	.492	4.528	1015				



104



262



289



282



266

CoroBore® BR30 three-edge rough boring tool

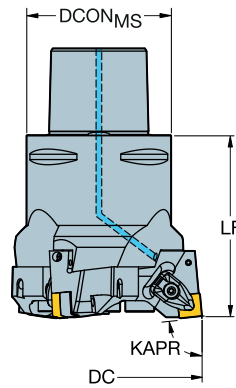
Coromant Capto® - Internal coolant supply





KAPR

84°



-  SNMM
-  SNMG
-  SNMA, SNGA



							Dimensions, mm, inch						
DCN	DCX			CZC _{MS}	CNSC	Ordering code	DCON _{MS}	ADJLX _{RDL}	LF			CICT	MIID
106.00 4.173	122.00 4.803	12	1/2	C8	3	BR30-122SN12Y-C8	80.00 3.150	8.00 .315	100.00 3.937	70 1015	4.190	3	SNMG 12 04 08
121.00 4.764	137.00 5.394	12	1/2	C8	3	BR30-137SN12Y-C8	80.00 3.150	8.00 .315	100.00 3.937	70 1015	4.340	3	SNMG 12 04 08
136.00 5.354	152.00 5.984	12	1/2	C8	3	BR30-152SN12Y-C8	80.00 3.150	8.00 .315	100.00 3.937	70 1015	4.820	3	SNMG 12 04 08
151.00 5.945	167.00 6.575	12	1/2	C8	3	BR30-167SN12Y-C8	80.00 3.150	8.00 .315	100.00 3.937	70 1015	4.970	3	SNMG 12 04 08
166.00 6.535	191.00 7.520	15	5/8	C8	3	BR30-191SN15Y-C8	80.00 3.150	12.50 .492	119.00 4.685	70 1015	7.480	3	SNMG 15 06 12
189.00 7.441	214.00 8.425	15	5/8	C8	3	BR30-214SN15Y-C8	80.00 3.150	12.50 .492	119.00 4.685	70 1015	7.790	3	SNMG 15 06 12

For inserts, see Turning tools catalogue



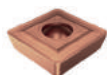
CoroBore® BR30 multi-edge rough boring tool

Coromant Capto® - Internal coolant supply

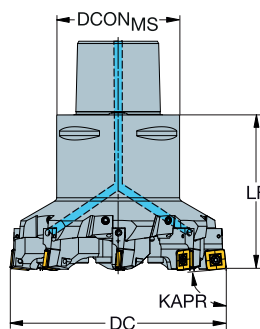
Dedicated for cavity boring operations

KAPR

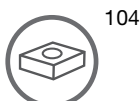
84°



SPMT



							Dimensions, mm, inch						
DCN	DCX			CZC _{MS}	CNSC	Ordering code	DCON _{MS}	ADJLX _{RDL}	LF			CICT	MIID
85.00	94.50	12	12	C6	3	BR30-095-4-SP12Y-C6	63.00	4.75	80.00	70	2.050	4	SPMT 1210-BM
<i>3.346</i>	<i>3.720</i>						<i>2.480</i>	<i>.187</i>	<i>3.150</i>	<i>1015</i>			
93.50	103.00	12	12	C6	3	BR30-103-4-SP12Y-C6	63.00	4.75	80.00	70	2.130	4	SPMT 1210-BM
<i>3.681</i>	<i>4.055</i>						<i>2.480</i>	<i>.187</i>	<i>3.150</i>	<i>1015</i>			
102.00	111.50	12	12	C8	3	BR30-112-6-SP12Y-C8	80.00	4.75	100.00	70	4.110	6	SPMT 1210-BM
<i>4.016</i>	<i>4.390</i>						<i>3.150</i>	<i>.187</i>	<i>3.937</i>	<i>1015</i>			
110.50	120.00	12	12	C8	3	BR30-120-6-SP12Y-C8	80.00	4.75	100.00	70	4.230	6	SPMT 1210-BM
<i>4.350</i>	<i>4.724</i>						<i>3.150</i>	<i>.187</i>	<i>3.937</i>	<i>1015</i>			
119.00	128.50	12	12	C8	3	BR30-129-8-SP12Y-C8	80.00	4.75	100.00	70	4.510	8	SPMT 1210-BM
<i>4.685</i>	<i>5.059</i>						<i>3.150</i>	<i>.187</i>	<i>3.937</i>	<i>1015</i>			
127.50	137.00	12	12	C8	3	BR30-137-8-SP12Y-C8	80.00	4.75	100.00	70	4.670	8	SPMT 1210-BM
<i>5.020</i>	<i>5.394</i>						<i>3.150</i>	<i>.187</i>	<i>3.937</i>	<i>1015</i>			
136.00	145.50	12	12	C8	3	BR30-146-8-SP12Y-C8	80.00	4.75	100.00	70	4.900	8	SPMT 1210-BM
<i>5.354</i>	<i>5.728</i>						<i>3.150</i>	<i>.187</i>	<i>3.937</i>	<i>1015</i>			
144.50	154.00	12	12	C8	3	BR30-154-8-SP12Y-C8	80.00	4.75	100.00	70	6.300	8	SPMT 1210-BM
<i>5.689</i>	<i>6.063</i>						<i>3.150</i>	<i>.187</i>	<i>3.937</i>	<i>1015</i>			
153.00	162.50	12	12	C8	3	BR30-163-6-SP12Y-C8	80.00	4.75	100.00	70	5.150	6	SPMT 1210-BM
<i>6.024</i>	<i>6.398</i>						<i>3.150</i>	<i>.187</i>	<i>3.937</i>	<i>1015</i>			
161.50	171.00	12	12	C8	3	BR30-171-6-SP12Y-C8	80.00	4.75	100.00	70	5.270	6	SPMT 1210-BM
<i>6.358</i>	<i>6.732</i>						<i>3.150</i>	<i>.187</i>	<i>3.937</i>	<i>1015</i>			
170.00	179.50	12	12	C8	3	BR30-180-6-SP12Y-C8	80.00	4.75	100.00	70	5.730	6	SPMT 1210-BM
<i>6.693</i>	<i>7.067</i>						<i>3.150</i>	<i>.187</i>	<i>3.937</i>	<i>1015</i>			
178.50	188.00	12	12	C8	3	BR30-188-6-SP12Y-C8	80.00	4.75	100.00	70	5.850	6	SPMT 1210-BM
<i>7.028</i>	<i>7.402</i>						<i>3.150</i>	<i>.187</i>	<i>3.937</i>	<i>1015</i>			
187.00	196.50	12	12	C8	3	BR30-197-6-SP12Y-C8	80.00	4.75	100.00	70	6.470	6	SPMT 1210-BM
<i>7.362</i>	<i>7.736</i>						<i>3.150</i>	<i>.187</i>	<i>3.937</i>	<i>1015</i>			
195.50	205.00	12	12	C8	3	BR30-205-6-SP12Y-C8	80.00	4.75	100.00	70	6.590	6	SPMT 1210-BM
<i>7.697</i>	<i>8.071</i>						<i>3.150</i>	<i>.187</i>	<i>3.937</i>	<i>1015</i>			



104



289



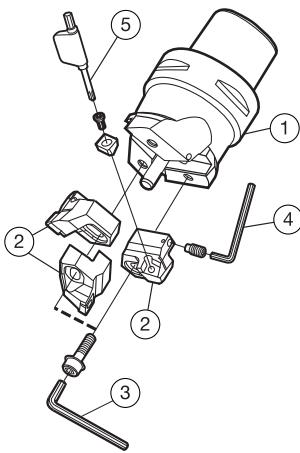
282



266

Included parts

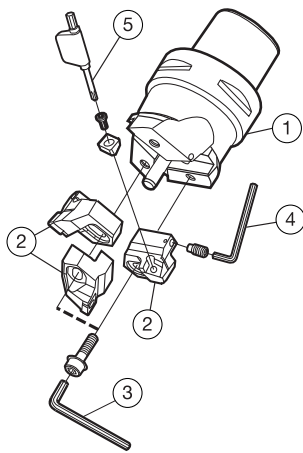
CoroBore® BR30 three-edge rough boring tool



	Included parts			
	1	2	3	4
Ordering code	Adaptor	Slide	Key	Key
BR30-41CC06F-C3	C3-R820A-AA3037B	R820A-AR11SCFC06B	3021 010-030	3021 012-015
BR30-41CC06F-C4	C4-R820A-AA3072B	R820A-AR11SCFC06B	3021 010-030	3021 012-015
BR30-45CC06F-C3	C3-R820A-AA3037B	R820A-BR11SCFC06B	3021 010-030	3021 012-015
BR30-45CC06F-C4	C4-R820A-AA3072B	R820A-BR11SCFC06B	3021 010-030	3021 012-015
BR30-51CC06F-C4	C4-R820B-AA3044B	R820B-AR12SCFC06B	3021 010-040	3021 012-015
BR30-51CC06F-C5	C5-R820B-AA3086B	R820B-AR12SCFC06B	3021 010-040	3021 012-015
BR30-56CC06F-C4	C4-R820B-AA3044B	R820B-BR12SCFC06B	3021 010-040	3021 012-015
BR30-56CC09F-C4	C4-R820B-AA3044B	R820B-BR14SCFC09B	3021 010-040	3021 012-015
BR30-56CC06F-C5	C5-R820B-AA3086B	R820B-BR12SCFC06B	3021 010-040	3021 012-015
BR30-56CC09F-C5	C5-R820B-AA3086B	R820B-BR14SCFC09B	3021 010-040	3021 012-015
BR30-63CC09F-C5	C5-R820C-AA3050B	R820C-AR16SCFC09B	3021 010-050	3021 012-015
BR30-63CC09F-C6	C6-R820C-AA3104B	R820C-AR16SCFC09B	3021 010-050	3021 012-015
BR30-70CC09F-C5	C5-R820C-AA3050B	R820C-BR16SCFC09B	3021 010-050	3021 012-015
BR30-70CC12F-C5	C5-R820C-AA3050B	R820C-BR18SCFC12B	3021 010-050	3021 012-015
	Included parts		Accessories	
	5	6	7	
Ordering code	Key	Shim set	Cover	
BR30-41CC06F-C3	5680 051-02	R820A-AS00B	R820A-AC10B	
BR30-41CC06F-C4	5680 051-02	R820A-AS00B	R820A-AC10B	
BR30-45CC06F-C3	5680 051-02	R820A-AS00B	R820A-AC10B	
BR30-45CC06F-C4	5680 051-02	R820A-AS00B	R820A-AC10B	
BR30-51CC06F-C4	5680 051-02	R820B-AS00B	R820B-AC11B	
BR30-51CC06F-C5	5680 051-02	R820B-AS00B	R820B-AC11B	
BR30-56CC06F-C4	5680 051-02	R820B-AS00B	R820B-AC11B	
BR30-56CC09F-C4	5680 049-02	R820B-AS00B	R820B-AC11B	
BR30-56CC06F-C5	5680 051-02	R820B-AS00B	R820B-AC11B	
BR30-56CC09F-C5	5680 049-02	R820B-AS00B	R820B-AC11B	
BR30-63CC09F-C5	5680 049-02	R820C-AS00B	R820C-AC15B	
BR30-63CC09F-C6	5680 049-02	R820C-AS00B	R820C-AC15B	
BR30-70CC09F-C5	5680 049-02	R820C-AS00B	R820C-AC15B	
BR30-70CC12F-C5	5680 049-02	R820C-AS00B	R820C-AC15B	

Included parts

CoroBore® BR30 three-edge rough boring tool

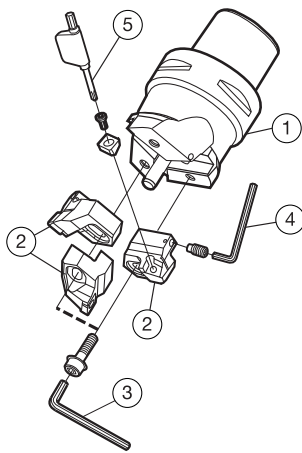


	Included parts			
	1	2	3	4
Ordering code	Adaptor	Slide	Key	Key
BR30-70CC09F-C6	C6-R820C-AA3104B	R820C-BR16SCFC09B	3021 010-050	3021 012-015
BR30-70CC12F-C6	C6-R820C-AA3104B	R820C-BR18SCFC12B	3021 010-050	3021 012-015
BR30-79CC12F-C5	C5-R820D-AA3052B	R820D-AR18SCFC12A	3021 010-050	174.1-870
BR30-79CC12F-C6	C6-R820D-AA3060B	R820D-AR18SCFC12A	3021 010-050	174.1-870
BR30-87CC12F-C5	C5-R820D-AA3052B	R820D-BR18SCFC12A	3021 010-050	174.1-870
BR30-87CC12F-C6	C6-R820D-AA3060B	R820D-BR18SCFC12A	3021 010-050	174.1-870
BR30-97CC12F-C6	C6-R820E-AA3068B	R820E-AR22SCFC12A	3021 010-060	174.1-870
BR30-97CC12F-C8	C8-R820E-AA3072B	R820E-AR22SCFC12A	3021 010-060	174.1-870
BR30-107CC12F-C6	C6-R820E-AA3068B	R820E-BR22SCFC12A	3021 010-060	174.1-870
BR30-107CC12F-C8	C8-R820E-AA3072B	R820E-BR22SCFC12A	3021 010-060	174.1-870
BR30-122CC12F-C8	C8-R820F-AA3076B	R820F-AR24SCFC12A	3021 010-080	5680 010-02
BR30-137CC12F-C8	C8-R820F-AA3076B	R820F-BR24SCFC12A	3021 010-080	5680 010-02
BR30-152CC12F-C8	C8-R820G-AA3076B	R820G-AR24SCFC12A	3021 010-080	5680 010-02
BR30-167CC12F-C8	C8-R820G-AA3076B	R820G-BR24SCFC12A	3021 010-080	5680 010-02
BR30-191CC12F-C8	C8-R820H-AA3089B	R820H-AR26SCFC12A	3021 010-080	5680 010-05
BR30-214CC12F-C8	C8-R820H-AA3089B	R820H-BR26SCFC12A	3021 010-080	5680 010-05

	Included parts		Accessories	
	5	6	7	
Ordering code	Key	Shim set	Cover	
BR30-70CC09F-C6	5680 049-02	R820C-AS00B	R820C-AC15B	
BR30-70CC12F-C6	5680 049-02	R820C-AS00B	R820C-AC15B	
BR30-79CC12F-C5	5680 049-02	R820D-AS00A		
BR30-79CC12F-C6	5680 049-02	R820D-AS00A		
BR30-87CC12F-C5	5680 049-02	R820D-AS00A		
BR30-87CC12F-C6	5680 049-02	R820D-AS00A		
BR30-97CC12F-C6	5680 049-02	R820E-AS00A	R820E-AC20A	
BR30-97CC12F-C8	5680 049-02	R820E-AS00A	R820E-AC20A	
BR30-107CC12F-C6	5680 049-02	R820E-AS00A	R820E-AC20A	
BR30-107CC12F-C8	5680 049-02	R820E-AS00A	R820E-AC20A	
BR30-122CC12F-C8	5680 049-02	R820F-AS00A	R820F-AC22A	
BR30-137CC12F-C8	5680 049-02	R820F-AS00A	R820F-AC22A	
BR30-152CC12F-C8	5680 049-02	R820G-AS00A	R820G-AC22A	
BR30-167CC12F-C8	5680 049-02	R820G-AS00A	R820G-AC22A	
BR30-191CC12F-C8	5680 049-02	R820H-AS00B	R820H-BC24A	
BR30-214CC12F-C8	5680 049-02	R820H-AS00B	R820H-BC24A	

Included parts

CoroBore® BR30 three-edge rough boring tool

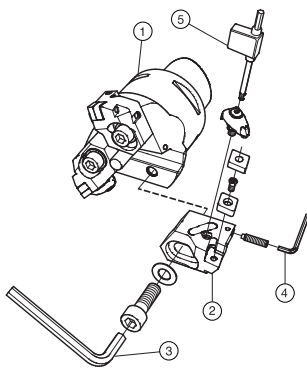


	Included parts			
	1	2	3	4
Ordering code	Adaptor	Slide	Key	Key
BR30-41SP06Y-C3	C3-R820A-AA3037B	R820A-AR11SSYP06	3021 010-030	3021 012-015
BR30-45SP06Y-C3	C3-R820A-AA3037B	R820A-BR11SSYP06	3021 010-030	3021 012-015
BR30-51SP06Y-C4	C4-R820B-AA3044B	R820B-AR12SSYP06	3021 010-040	3021 012-015
BR30-56SP08Y-C4	C4-R820B-AA3044B	R820B-BR14SSYP08	3021 010-040	3021 012-015
BR30-63SP08Y-C5	C5-R820C-AA3050B	R820C-AR16SSYP08	3021 010-050	3021 012-015
BR30-70SP12Y-C5	C5-R820C-AA3050B	R820C-BR18SSYP12	3021 010-050	3021 012-015
BR30-79SP12Y-C6	C6-R820D-AA3060B	R820D-AR18SSYP12	3021 010-050	174.1-870
BR30-87SP12Y-C6	C6-R820D-AA3060B	R820D-BR18SSYP12	3021 010-050	174.1-870
BR30-97SP12Y-C8	C8-R820E-AA3072B	R820E-AR22SSYP12	3021 010-060	174.1-870
BR30-107SP12Y-C8	C8-R820E-AA3072B	R820E-BR22SSYP12	3021 010-060	174.1-870
BR30-122SP12Y-C8	C8-R820F-AA3076B	R820F-AR24SSYP12	3021 010-080	5680 010-02
BR30-137SP12Y-C8	C8-R820F-AA3076B	R820F-BR24SSYP12	3021 010-080	5680 010-02
BR30-152SP12Y-C8	C8-R820G-AA3076B	R820G-AR24SSYP12	3021 010-080	5680 010-02
BR30-167SP12Y-C8	C8-R820G-AA3076B	R820G-BR24SSYP12	3021 010-080	5680 010-02
BR30-191SP12Y-C8	C8-R820H-AA3089B	R820H-AR26SSYP12	3021 010-080	5680 010-05
BR30-214SP12Y-C8	C8-R820H-AA3089B	R820H-BR26SSYP12	3021 010-080	5680 010-05

	Included parts	Accessories	
	5	6	7
Ordering code	Key	Shim set	Cover
BR30-41SP06Y-C3	5680 051-02	R820A-AS00B	R820A-AC10B
BR30-45SP06Y-C3	5680 051-02	R820A-AS00B	R820A-AC10B
BR30-51SP06Y-C4	5680 051-02	R820B-AS00B	R820B-AC11B
BR30-56SP08Y-C4	5680 049-03	R820B-AS00B	R820B-AC11B
BR30-63SP08Y-C5	5680 049-03	R820C-AS00B	R820C-AC15B
BR30-70SP12Y-C5	5680 049-04	R820C-AS00B	R820C-AC15B
BR30-79SP12Y-C6	5680 049-04	R820D-AS00A	
BR30-87SP12Y-C6	5680 049-04	R820D-AS00A	
BR30-97SP12Y-C8	5680 049-04	R820E-AS00A	R820E-AC20A
BR30-107SP12Y-C8	5680 049-04	R820E-AS00A	R820E-AC20A
BR30-122SP12Y-C8	5680 049-04	R820F-AS00A	R820F-AC22A
BR30-137SP12Y-C8	5680 049-04	R820F-AS00A	R820F-AC22A
BR30-152SP12Y-C8	5680 049-04	R820G-AS00A	R820G-AC22A
BR30-167SP12Y-C8	5680 049-04	R820G-AS00A	R820G-AC22A
BR30-191SP12Y-C8	5680 049-04	R820H-AS00B	R820H-BC24A
BR30-214SP12Y-C8	5680 049-04	R820H-AS00B	R820H-BC24A

Included parts

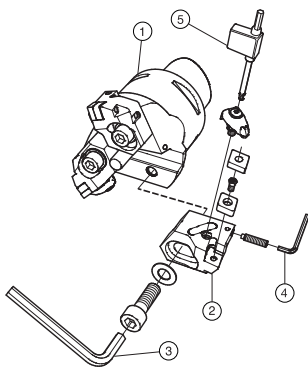
CoroBore® BR30 three-edge rough boring tool



	Included parts				
	1	2	3	4	
Ordering code	Adaptor	Slide	Key	Key	
BR30-122CN12F-C8	C8-R820F-AA3076B	R820F-AR24DCFN12A	3021 010-080	5680 010-02	
BR30-137CN12F-C8	C8-R820F-AA3076B	R820F-BR24DCFN12A	3021 010-080	5680 010-02	
BR30-152CN12F-C8	C8-R820G-AA3076B	R820G-AR24DCFN12A	3021 010-080	5680 010-02	
BR30-167CN12F-C8	C8-R820G-AA3076B	R820G-BR24DCFN12A	3021 010-080	5680 010-02	
BR30-191CN16F-C8	C8-R820H-AA3089B	R820H-AR30DCFN16	3021 010-080	5680 010-05	
BR30-214CN16F-C8	C8-R820H-AA3089B	R820H-BR30DCFN16	3021 010-080	5680 010-05	
	Included parts	Accessories			
	5	6	7		
Ordering code	Key	Shim set	Cover		
BR30-122CN12F-C8	5680 049-02				
BR30-137CN12F-C8	5680 049-02				
BR30-152CN12F-C8	5680 049-02				
BR30-167CN12F-C8	5680 049-02				
BR30-191CN16F-C8	5680 043-14	R820H-AS00B	R820H-BC24A		
BR30-214CN16F-C8	5680 043-14	R820H-AS00B	R820H-BC24A		

Included parts

CoroBore® BR30 three-edge rough boring tool

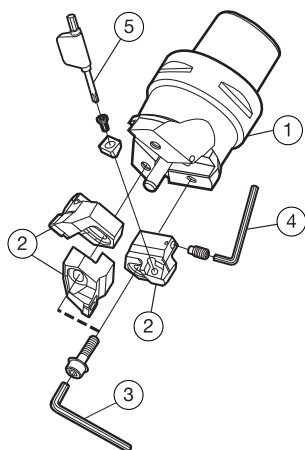


	Included parts				
	1	2	3	4	
Ordering code	Adaptor	Slide	Key	Key	
BR30-122SN12Y-C8	C8-R820F-AA3076B	R820F-AR24DSYN12A	3021 010-080	5680 010-02	
BR30-137SN12Y-C8	C8-R820F-AA3076B	R820F-BR24DSYN12A	3021 010-080	5680 010-02	
BR30-152SN12Y-C8	C8-R820G-AA3076B	R820G-AR24DSYN12A	3021 010-080	5680 010-02	
BR30-167SN12Y-C8	C8-R820G-AA3076B	R820G-BR24DSYN12A	3021 010-080	5680 010-02	
BR30-191SN15Y-C8	C8-R820H-AA3089B	R820H-AR30DSYN15	3021 010-080	5680 010-05	
BR30-214SN15Y-C8	C8-R820H-AA3089B	R820H-BR30DSYN15	3021 010-080	5680 010-05	
	Included parts	Accessories			
	5	6	7		
Ordering code	Key	Shim set	Cover		
BR30-122SN12Y-C8	5680 049-02	R820F-AS00A	R820F-AC22A		
BR30-137SN12Y-C8	5680 049-02	R820F-AS00A	R820F-AC22A		
BR30-152SN12Y-C8	5680 049-02	R820G-AS00A	R820G-AC22A		
BR30-167SN12Y-C8	5680 049-02	R820G-AS00A	R820G-AC22A		
BR30-191SN15Y-C8	5680 043-14	R820H-AS00B	R820H-BC24A		
BR30-214SN15Y-C8	5680 043-14	R820H-AS00B	R820H-BC24A		

Included parts

CoroBore® BR30 multi-edge rough boring tool

Cavity boring



	Included parts			
	1	2	3	4
Ordering code	Adaptor	Slide	Key	Key
BR30-095-4-SP12Y-C6	C6-R820D-103-4-062	R820D-AR18SSYP12	3021 010-050	3021 012-020
BR30-103-4-SP12Y-C6	C6-R820D-103-4-062	R820D-BR18SSYP12	3021 010-050	3021 012-020
BR30-112-6-SP12Y-C8	C8-R820D-120-6-082	R820D-AR18SSYP12	3021 010-050	3021 012-020
BR30-120-6-SP12Y-C8	C8-R820D-120-6-082	R820D-BR18SSYP12	3021 010-050	3021 012-020
BR30-129-8-SP12Y-C8	C8-R820D-137-8-082	R820D-AR18SSYP12	3021 010-050	3021 012-020
BR30-137-8-SP12Y-C8	C8-R820D-137-8-082	R820D-BR18SSYP12	3021 010-050	3021 012-020
BR30-146-8-SP12Y-C8	C8-R820D-154-8-082	R820D-AR18SSYP12	3021 010-050	3021 012-020
BR30-154-8-SP12Y-C8	C8-R820D-154-8-082	R820D-BR18SSYP12	3021 010-050	3021 012-020
BR30-163-6-SP12Y-C8	C8-R820D-171-6-082	R820D-AR18SSYP12	3021 010-050	3021 012-020
BR30-171-6-SP12Y-C8	C8-R820D-171-6-082	R820D-BR18SSYP12	3021 010-050	3021 012-020
BR30-180-6-SP12Y-C8	C8-R820D-188-6-082	R820D-AR18SSYP12	3021 010-050	3021 012-020
BR30-188-6-SP12Y-C8	C8-R820D-188-6-082	R820D-BR18SSYP12	3021 010-050	3021 012-020
BR30-197-6-SP12Y-C8	C8-R820D-205-6-082	R820D-AR18SSYP12	3021 010-050	3021 012-020
BR30-205-6-SP12Y-C8	C8-R820D-205-6-082	R820D-BR18SSYP12	3021 010-050	3021 012-020

	Included parts	
	5	
Ordering code	Key	
BR30-095-4-SP12Y-C6	5680 046-05	
BR30-103-4-SP12Y-C6	5680 046-05	
BR30-112-6-SP12Y-C8	5680 046-05	
BR30-120-6-SP12Y-C8	5680 046-05	
BR30-129-8-SP12Y-C8	5680 046-05	
BR30-137-8-SP12Y-C8	5680 046-05	
BR30-146-8-SP12Y-C8	5680 046-05	
BR30-154-8-SP12Y-C8	5680 046-05	
BR30-163-6-SP12Y-C8	5680 046-05	
BR30-171-6-SP12Y-C8	5680 046-05	
BR30-180-6-SP12Y-C8	5680 046-05	
BR30-188-6-SP12Y-C8	5680 046-05	
BR30-197-6-SP12Y-C8	5680 046-05	
BR30-205-6-SP12Y-C8	5680 046-05	

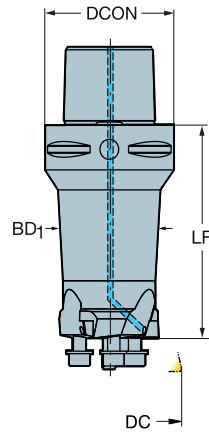
Coromant Capto® to CoroBore® BR30 tool body

Coromant Capto®



STDNO

ISO26623-1

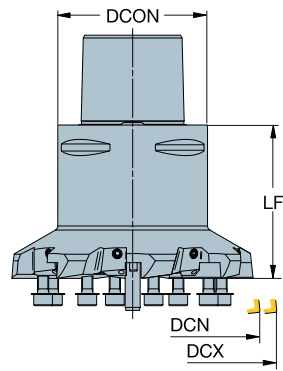
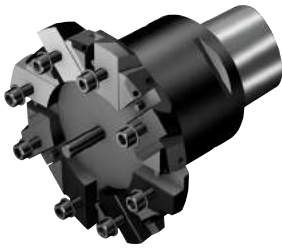


						Dimensions, mm, inch					
DCN	DCX	CZC _{MS}	CZC _{WS}	CNSC	Ordering code	DCN _{MS}	LF	WF	BD ₁	$\begin{matrix} \text{BAR} \\ \text{PSI} \end{matrix}$	$\begin{matrix} \text{KG} \end{matrix}$
35.00	45.00	C3	A	3	C3-R820A-AA3037B	32.00	37.00	7.70	31.50	70	0.220
1.378	1.772					1.260	1.457	.303	1.240	1015	
35.00	45.00	C4	A	3	C4-R820A-AA3072B	40.00	72.00	7.70	31.50	70	0.540
1.378	1.772					1.575	2.835	.303	1.240	1015	
44.00	56.00	C4	B	3	C4-R820B-AA3044B	40.00	44.00	10.65	39.60	70	0.411
1.732	2.205					1.575	1.732	.419	1.559	1015	
44.00	56.00	C5	B	3	C5-R820B-AA3086B	50.00	86.00	10.65	39.60	70	1.026
1.732	2.205					1.969	3.386	.419	1.559	1015	
55.00	70.00	C5	C	3	C5-R820C-AA3050B	50.00	50.00	12.30	49.50	70	0.770
2.165	2.756					1.969	1.969	.484	1.949	1015	
55.00	70.00	C6	C	3	C6-R820C-AA3104B	63.00	104.00	12.30	49.50	70	1.860
2.165	2.756					2.480	4.094	.484	1.949	1015	
69.00	87.00	C5	D	3	C5-R820D-AA3052B	50.00	52.00	13.95	62.10	70	0.940
2.717	3.425					1.969	2.047	.549	2.445	1015	
69.00	87.00	C6	D	3	C6-R820D-AA3060B	63.00	60.00	13.95	62.10	70	1.402
2.717	3.425					2.480	2.362	.549	2.445	1015	
86.00	107.00	C6	E	3	C6-R820E-AA3068B	63.00	68.00	17.00	77.40	70	1.890
3.386	4.213					2.480	2.677	.669	3.047	1015	
86.00	107.00	C8	E	3	C8-R820E-AA3072B	80.00	72.00	17.00	77.40	70	2.910
3.386	4.213					3.150	2.835	.669	3.047	1015	
106.00	137.00	C8	F	3	C8-R820F-AA3076B	80.00	76.00	22.65	95.40	70	3.440
4.173	5.394					3.150	2.992	.892	3.756	1015	
136.00	167.00	C8	G	3	C8-R820G-AA3076B	80.00	76.00	30.15	122.40	70	3.830
5.354	6.575					3.150	2.992	1.187	4.819	1015	



Coromant Capto® to CoroBore® BR30 tool body

Coromant Capto®



					Dimensions, mm, inch						
DCN	DCX	CZC _{MS}	CZC _{WS}	CNSC	Ordering code	DCN _{MS}	LF	WF	BD ₁	BAR (PSI)	KG
85.00 3.346	103.00 4.055	C6	D	1	C6-R820D-103-4-062	63.00 2.480	62.00 2.441	21.95 .864	78.10 3.075	70 1015	1.770
102.00 4.016	120.00 4.724	C8	D	1	C8-R820D-120-6-082	80.00 3.150	82.00 3.228	30.45 1.199	95.10 3.744	70 1015	3.690
119.00 4.685	137.00 5.394	C8	D	1	C8-R820D-137-8-082	80.00 3.150	82.00 3.228	38.95 1.533	112.10 4.413	70 1015	3.950
136.00 5.354	154.00 6.063	C8	D	1	C8-R820D-154-8-082	80.00 3.150	82.00 3.228	47.45 1.868	129.10 5.083	70 1015	4.340
153.00 6.024	171.00 6.732	C8	D	1	C8-R820D-171-6-082	80.00 3.150	82.00 3.228	55.95 2.203	146.10 5.752	70 1015	4.730
170.00 6.693	188.00 7.402	C6	D	1	C8-R820D-188-6-082	63.00 2.480	82.00 3.228	64.45 2.537	163.10 6.421	70 1015	5.310
187.00 7.362	205.00 8.071	C8	D	1	C8-R820D-205-6-082	80.00 3.150	82.00 3.228	72.95 2.872	180.10 7.091	70 1015	6.050



289

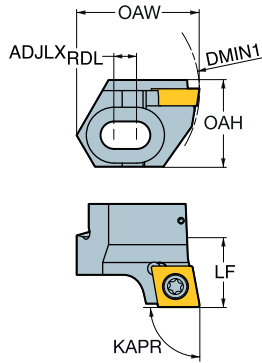
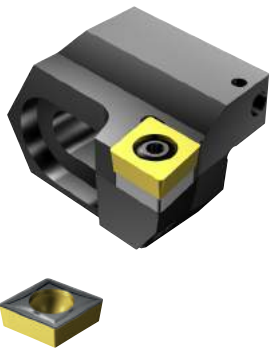


282

Slide for CoroBore® BR30

KAPR

90°



- CCMT, CCGT
CCGX, CCET
- CCMW

		Dimensions, mm, inch												
DMIN ₁	CZC _{MS}	Ordering code	Dimensions, mm, inch										C/CT	MID
			ADJLX _{RDL}	LF	WF	OAH	OAW	KG						
35.0 1.378	06 1/4	A	R820A-AR11SCFC06B	2.75 .108	11.00 .433	9.80 .386	12.90 .508	17.40 .685	0.010	1	CCMT 06 02 04			
39.5 1.555	06 1/4	A	R820A-BR11SCFC06B	2.75 .108	11.00 .433	12.05 .474	12.90 .508	19.60 .772	0.020	1	CCMT 06 02 04			
44.0 1.732	06 1/4	B	R820B-AR12SCFC06B	3.25 .128	12.00 .472	11.35 .447	15.30 .602	20.80 .819	0.020	1	CCMT 06 02 04			
49.5 1.949	06 1/4	B	R820B-BR12SCFC06B	3.25 .128	12.00 .472	14.10 .555	15.30 .602	23.60 .929	0.030	1	CCMT 06 02 04			
49.5 1.949	09 3/8	B	R820B-BR14SCFC09B	3.25 .128	14.00 .551	14.10 .555	15.30 .602	23.60 .929	0.036	1	CCMT 09 T3 08			
55.0 2.165	09 3/8	C	R820C-AR16SCFC09B	4.00 .157	16.00 .630	15.20 .598	20.10 .791	27.00 1.063	0.040	1	CCMT 09 T3 08			
62.0 2.441	09 3/8	C	R820C-BR16SCFC09B	4.00 .157	16.00 .630	18.70 .736	20.10 .791	30.60 1.205	0.040	1	CCMT 09 T3 08			
62.0 2.441	12 1/2	C	R820C-BR18SCFC12B	4.00 .157	18.00 .709	18.70 .736	20.10 .791	30.60 1.205	0.047	1	CCMT 12 04 08			
69.0 2.717	12 1/2	D	R820D-AR18SCFC12A	4.75 .187	18.00 .709	20.55 .809	24.10 .949	35.50 1.398	0.077	1	CCMT 12 04 08			
77.5 3.051	12 1/2	D	R820D-BR18SCFC12A	4.75 .187	18.00 .709	24.80 .976	24.10 .949	39.70 1.563	0.096	1	CCMT 12 04 08			
86.0 3.386	12 1/2	E	R820E-AR22SCFC12A	5.50 .217	22.00 .866	26.00 1.024	28.90 1.138	43.70 1.720	0.148	1	CCMT 12 04 08			
96.0 3.780	12 1/2	E	R820E-BR22SCFC12A	5.50 .217	22.00 .866	31.00 1.220	28.90 1.138	48.70 1.917	0.120	1	CCMT 12 04 08			
106.0 4.173	12 1/2	F	R820F-AR24SCFC12A	8.00 .315	24.00 .945	30.35 1.195	34.70 1.366	54.20 2.134	0.227	1	CCMT 12 04 08			
121.0 4.764	12 1/2	F	R820F-BR24SCFC12A	8.00 .315	24.00 .945	37.05 1.459	34.70 1.366	61.70 2.429	0.267	1	CCMT 12 04 08			
136.0 5.354	12 1/2	G	R820G-AR24SCFC12A	8.00 .315	24.00 .945	37.85 1.490	34.70 1.366	69.20 2.724	0.308	1	CCMT 12 04 08			
151.0 5.945	12 1/2	G	R820G-BR24SCFC12A	8.00 .315	24.00 .945	45.35 1.785	34.70 1.366	76.70 3.020	0.350	1	CCMT 12 04 08			



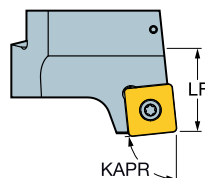
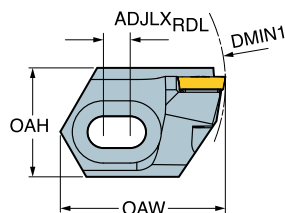
Slide for CoroBore® BR30

KAPR

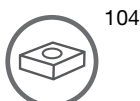
84°



SPMT



		Dimensions, mm, inch										
DMIN ₁	IC	CZC _{MS}	Ordering code	ADJLX _{RDL}	LF	WF	OAH	OAW	KG	CICT	MIID	
35.0	06	06	A	R820A-AR11SSYP06	2.75	11.00	9.80	12.90	17.40	0.025	1	SPMT 0606-BM
1.378					.108	.433	.386	.508	.685			
39.5	06	06	A	R820A-BR11SSYP06	2.75	11.00	12.05	12.90	19.60	0.027	1	SPMT 0606-BM
1.555					.108	.433	.474	.508	.772			
44.0	06	06	B	R820B-AR12SSYP06	3.25	12.00	11.35	15.30	20.80	0.030	1	SPMT 0606-BM
1.732					.128	.472	.447	.602	.819			
49.5	08	08	B	R820B-BR14SSYP08	3.25	14.00	14.10	15.30	23.60	0.036	1	SPMT 0808-BM
1.949					.128	.551	.555	.602	.929			
55.0	08	08	C	R820C-AR16SSYP08	4.00	16.00	15.20	20.10	27.00	0.051	1	SPMT 0808-BM
2.165					.157	.630	.598	.791	1.063			
62.0	12	12	C	R820C-BR18SSYP12	4.00	16.00	18.70	20.10	30.60	0.048	1	SPMT 1210-BM
2.441					.157	.630	.736	.791	1.205			
69.0	12	12	D	R820D-AR18SSYP12	4.75	18.00	20.55	24.10	35.50	0.078	1	SPMT 1210-BM
2.717					.187	.709	.809	.949	1.398			
77.5	12	12	D	R820D-BR18SSYP12	4.75	18.00	24.80	24.10	39.70	0.091	1	SPMT 1210-BM
3.051					.187	.709	.976	.949	1.563			
86.0	12	12	E	R820E-AR22SSYP12	5.50	22.00	26.00	28.90	43.70	0.130	1	SPMT 1210-BM
3.386					.217	.866	1.024	1.138	1.720			
96.0	12	12	E	R820E-BR22SSYP12	5.50	22.00	31.00	28.90	48.70	0.150	1	SPMT 1210-BM
3.780					.217	.866	1.220	1.138	1.917			
106.0	12	12	F	R820F-AR24SSYP12	8.00	24.00	30.35	34.70	54.20	0.220	1	SPMT 1210-BM
4.173					.315	.945	1.195	1.366	2.134			
121.0	12	12	F	R820F-BR24SSYP12	8.00	24.00	37.85	34.70	61.70	0.237	1	SPMT 1210-BM
4.764					.315	.945	1.490	1.366	2.429			
136.0	12	12	G	R820G-AR24SSYP12	8.00	24.00	37.85	34.70	69.20	0.277	1	SPMT 1210-BM
5.354					.315	.945	1.490	1.366	2.724			
151.0	12	12	G	R820G-BR24SSYP12	8.00	24.00	45.35	34.70	76.70	0.350	1	SPMT 1210-BM
5.945					.315	.945	1.785	1.366	3.020			



104



289

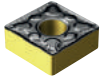


282

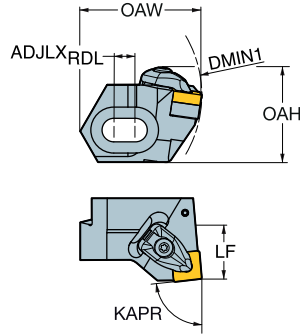
Slide for CoroBore® BR30

KAPR

84°



- SNMM
- SNMG
- SNMA, SNGA

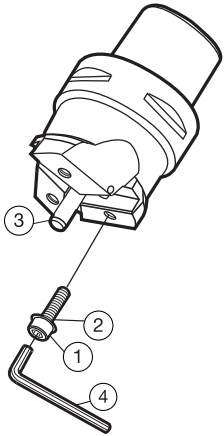


		Dimensions, mm, inch											
DMIN1	CZC _{MS}	Ordering code	Dimensions, mm, inch										MIID
			ADJLXRDL	LF	LPR	WF	OAH	OAW	KG	CICT			
106.0 4.173	12 1/2	F	R820F-AR24DSYN12A	8.00 .315	24.00 .945	25.20 .992	30.35 1.195	42.30 1.665	54.20 2.134	0.262	1	SNMG 12 04 08	
121.0 4.764	12 1/2	F	R820F-BR24DSYN12A	8.00 .315	24.00 .945	25.20 .992	37.85 1.490	42.30 1.665	61.70 2.429	0.300	1	SNMG 12 04 08	
136.0 5.354	12 1/2	G	R820G-AR24DSYN12A	8.00 .315	24.00 .945	25.20 .992	37.85 1.490	42.10 1.657	69.20 2.724	0.338	1	SNMG 12 04 08	
151.0 5.945	12 1/2	G	R820G-BR24DSYN12A	8.00 .315	24.00 .945	25.20 .992	45.35 1.785	42.10 1.657	76.70 3.020	0.399	1	SNMG 12 04 08	



Spare parts

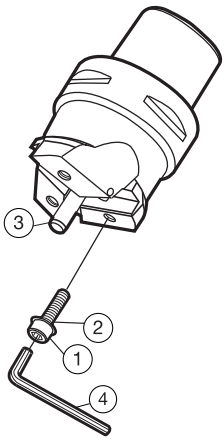
Coromant Capto® to CoroBore® BR30 tool body



	Spare parts			Accessories
	1	2	3	4
Ordering code	Screw	Cup spring	Parallel pin	Key
C3-R820A-AA3037B	3212 010-299	3846 010-014	3111 020-462	3021 010-030
C4-R820A-AA3072B	3212 010-299	3846 010-014	3111 020-462	3021 010-030
C4-R820B-AA3044B	3212 010-309	3846 010-023	3111 020-514	3021 010-040
C5-R820B-AA3086B	3212 010-309	3846 010-023	3111 020-514	3021 010-040
C5-R820C-AA3050B	3212 010-397	3846 010-033	3111 020-566	3021 010-050
C6-R820C-AA3104B	3212 010-397	3846 010-033	3111 020-566	3021 010-050
C5-R820D-AA3052B	3212 010-360	3846 010-033	3111 020-618	3021 010-050
C6-R820D-AA3060B	3212 010-360	3846 010-033	3111 020-618	3021 010-050
C6-R820E-AA3068B	3212 010-411	3846 010-048	3111 020-670	3021 010-060
C8-R820E-AA3072B	3212 010-411	3846 010-048	3111 020-670	3021 010-060
C8-R820F-AA3076B	3212 010-462	3846 010-069	3111 020-721	3021 010-080
C8-R820G-AA3076B	3212 010-462	3846 010-069	3111 020-721	3021 010-080

Spare parts

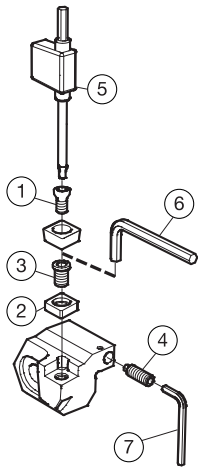
Coromant Capto® to CoroBore® BR30 tool body



	Spare parts		Accessories
	1	2	4
Ordering code	Screw	Cup spring	Key
C6-R820D-103-4-062	3212 010-360	3846 010-033	3021 010-050
C8-R820D-120-6-082	3212 010-360	3846 010-033	3021 010-050
C8-R820D-137-8-082	3212 010-360	3846 010-033	3021 010-050
C8-R820D-154-8-082	3212 010-360	3846 010-033	3021 010-050
C8-R820D-171-6-082	3212 010-360	3846 010-033	3021 010-050
C8-R820D-188-6-082	3212 010-360	3846 010-033	3021 010-050
C8-R820D-205-6-082	3212 010-360	3846 010-033	3021 010-050

Spare parts

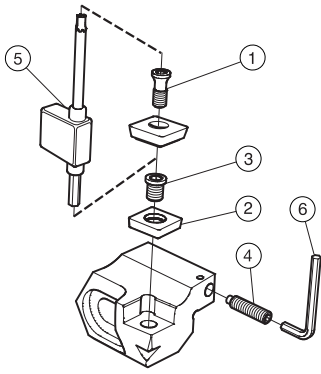
Slide for CoroBore® BR30



Spare parts				
	1	2	3	4
Ordering code	Insert screw	Shim	Shim screw	Setting screw
R820A-AR11SCFC06B	5513 020-03			3214 020-207
R820A-BR11SCFC06B	5513 020-03			3214 020-208
R820B-AR12SCFC06B	5513 020-03			3214 020-208
R820B-BR12SCFC06B	5513 020-03			3214 020-209
R820B-BR14SCFC09B	5513 020-09			3214 020-209
R820C-AR16SCFC09B	5513 020-09			3214 020-207
R820C-BR16SCFC09B	5513 020-09			3214 020-207
R820C-BR18SCFC12B	5513 020-17			3214 020-207
R820D-AR18SCFC12A	5513 020-17			3214 020-258
R820D-BR18SCFC12A	5513 020-17			3214 020-258
R820E-AR22SCFC12A	5513 020-17			3214 020-259
R820E-BR22SCFC12A	5513 020-17			3214 020-259
R820F-AR24SCFC12A	5513 020-18	5322 232-02	5512 090-03	3214 020-310
R820F-BR24SCFC12A	5513 020-18	5322 232-02	5512 090-03	3214 020-311
R820G-AR24SCFC12A	5513 020-18	5322 232-02	5512 090-03	3214 020-311
R820G-BR24SCFC12A	5513 020-18	5322 232-02	5512 090-03	3214 020-312
Accessories				
	5	6	7	
Ordering code	Key	Key	Setting key	
R820A-AR11SCFC06B	5680 051-02		3021 012-015	
R820A-BR11SCFC06B	5680 051-02		3021 012-015	
R820B-AR12SCFC06B	5680 051-02		3021 012-015	
R820B-BR12SCFC06B	5680 051-02		3021 012-015	
R820B-BR14SCFC09B	5680 049-02		3021 012-015	
R820C-AR16SCFC09B	5680 049-02		3021 012-015	
R820C-BR16SCFC09B	5680 049-02		3021 012-015	
R820C-BR18SCFC12B	5680 049-02		3021 012-015	
R820D-AR18SCFC12A	5680 049-02		174.1-870	
R820D-BR18SCFC12A	5680 049-02		174.1-870	
R820E-AR22SCFC12A	5680 049-02		174.1-870	
R820E-BR22SCFC12A	5680 049-02		174.1-870	
R820F-AR24SCFC12A	5680 049-02	5680 010-06	5680 010-02	
R820F-BR24SCFC12A	5680 049-02	5680 010-06	5680 010-02	
R820G-AR24SCFC12A	5680 049-02	5680 010-06	5680 010-02	
R820G-BR24SCFC12A	5680 049-02	5680 010-06	5680 010-02	

Spare parts

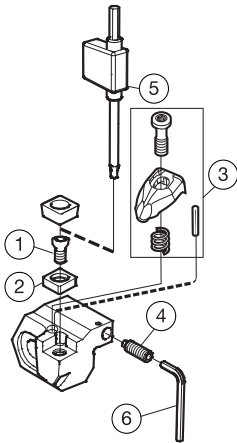
Slide for CoroBore® BR30



Spare parts				
	1	2	3	4
Ordering code	Insert screw	Shim	Shim screw	Set screw
R820A-AR11SSYP06	5513 020-33			3214 020-207
R820A-BR11SSYP06	5513 020-33			3214 020-208
R820B-AR12SSYP06	5513 020-33			3214 020-208
R820B-BR14SSYP08	5513 020-57			3214 020-208
R820C-AR16SSYP08	5513 020-57			3214 020-207
R820C-BR18SSYP12	5513 020-89			3214 020-207
R820D-AR18SSYP12	5513 020-89			3214 020-258
R820D-BR18SSYP12	5513 020-89			3214 020-258
R820E-AR22SSYP12	5513 020-89			3214 020-259
R820E-BR22SSYP12	5513 020-89			3214 020-259
R820F-AR24SSYP12	5513 020-89	5322 427-01	5512 090-09	3214 020-310
R820F-BR24SSYP12	5513 020-89	5322 427-01	5512 090-09	3214 020-312
R820G-AR24SSYP12	5513 020-89	5322 427-01	5512 090-09	3214 020-311
R820G-BR24SSYP12	5513 020-89	5322 427-01	5512 090-09	3214 020-312
Accessories				
	5	6		
Ordering code	Key	Key		
R820A-AR11SSYP06	5680 051-02	3021 012-015		
R820A-BR11SSYP06	5680 051-02	3021 012-015		
R820B-AR12SSYP06	5680 051-02	3021 012-015		
R820B-BR14SSYP08	5680 049-03	3021 012-015		
R820C-AR16SSYP08	5680 049-03	3021 012-015		
R820C-BR18SSYP12	5680 049-04	3021 012-015		
R820D-AR18SSYP12	5680 049-04	174.1-870		
R820D-BR18SSYP12	5680 049-04	174.1-870		
R820E-AR22SSYP12	5680 049-04	174.1-870		
R820E-BR22SSYP12	5680 049-04	174.1-870		
R820F-AR24SSYP12	5680 049-04	174.1-870		
R820F-BR24SSYP12	5680 049-04	174.1-870		
R820G-AR24SSYP12	5680 049-04	174.1-870		
R820G-BR24SSYP12	5680 049-04	174.1-870		

Spare parts

Slide for CoroBore® BR30



Spare parts				
	1	2	3	4
Ordering code	Insert screw	Shim	Clamp set	Setting screw
R820F-AR24DSYN12A	5513 020-02	5322 425-01	5412 028-021	3214 020-310
R820F-BR24DSYN12A	5513 020-02	5322 425-01	5412 028-021	3214 020-311
R820G-AR24DSYN12A	5513 020-02	5322 425-01	5412 028-021	3214 020-311
R820G-BR24DSYN12A	5513 020-02	5322 425-01	5412 028-021	3214 020-312
Accessories				
	5	6		
Ordering code	Key	Key		
R820F-AR24DSYN12A	5680 049-02	5680 010-02		
R820F-BR24DSYN12A	5680 049-02	5680 010-02		
R820G-AR24DSYN12A	5680 049-02	5680 010-02		
R820G-BR24DSYN12A	5680 049-02	5680 010-02		

CoroBore® 820 XL

Rough boring tool for large diameters

Application

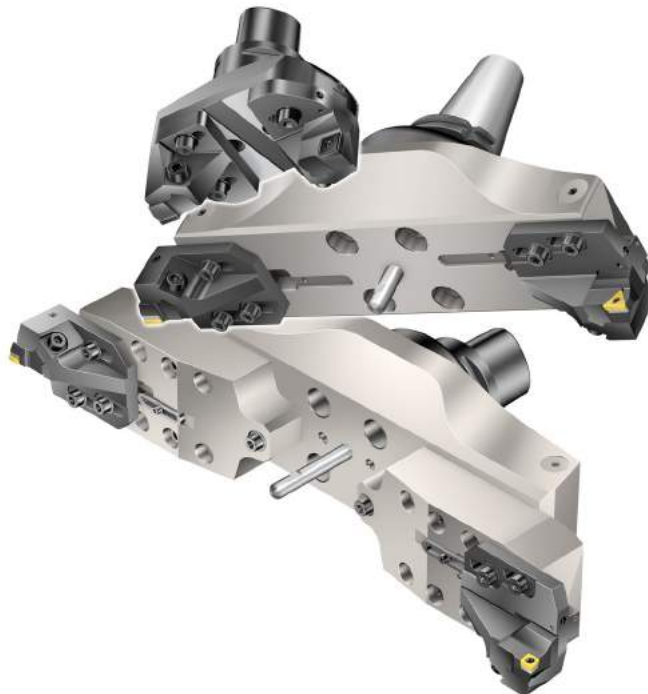
- Rough boring
- Multi-edge boring
- Step boring
- Single edge boring

ISO application area:



Benefits and features

- Short, rigid and compact giving maximum stability at large diameter rough boring
- Axial and radial adjustable
- Cutting fluid through the tool for good chip evacuation
- Strong modular base for building assemblies in different applications (rough boring, fine boring, face grooving, spiro grooving and interpolation turning)



www.sandvik.coromant.com/corobore820

 **SilentTools®**

Tools

Couplings:

- Coromant Capto®
- Arbor

Inserts

Standard inserts with dedicated grades and geometries for all materials

- CoroBore® 111
- CoroTurn® 107
- T-max® P



For easy radial adjustment of slides, slightly tighten screws and adjust diameter with key. Cartridges are possible to adjust in axial direction, for step boring.



Use same bridge/bridge extension for roughing, finishing and face grooving from diameter 148 mm (5.827 inch) (counterweight needed for finishing).



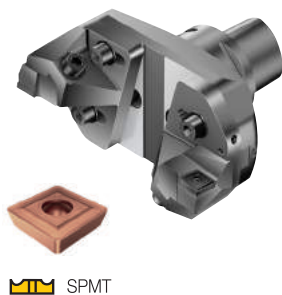
Bore large diameter without increasing tool weight.



Dedicated CoroBore® 111 rough boring inserts. With excellent chip breaking and increased lifetime.

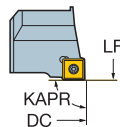
CoroBore® 820 XL rough boring tool

Coromant Capto® - Internal coolant supply

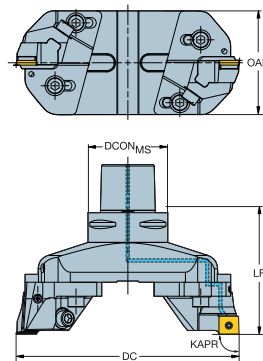


SPMT

KAPR

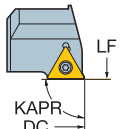


90°

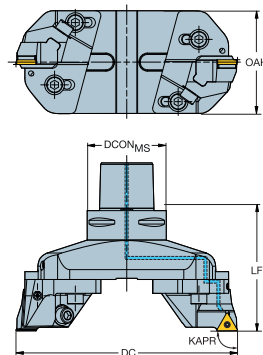


							Dimensions, mm, inch							
DCN	DCX	IC	CZC _{MS}	CNSC	Ordering code	DCON _{MS}	ADJLX _{AXL}	ADJLX _{RDL}	LF	OAH	BAR PSI	KG	CICT	MIID
148.00	200.00	18	18	C8	3	820-200SP18-C8	80.00	1.50	26.00	122.00	104.00	70	6.900	2
5.827	7.874						3.150	.059	1.024	4.803	4.094	1015		
148.00	200.00	18	18	C10	3	820-200SP18-C10	100.00	1.50	26.00	128.00	104.00	70	9.900	2
5.827	7.874						3.937	.059	1.024	5.039	4.094	1015		
198.00	250.00	18	18	C8	3	820-250SP18-C8	80.00	1.50	26.00	122.00	104.00	70	8.700	2
7.795	9.843						3.150	.059	1.024	4.803	4.094	1015		
198.00	250.00	18	18	C10	3	820-250SP18-C10	100.00	1.50	26.00	128.00	104.00	70	11.308	2
7.795	9.843						3.937	.059	1.024	5.039	4.094	1015		
248.00	300.00	18	18	C8	3	820-300SP18-C8	80.00	1.50	26.00	122.00	104.00	70	10.620	2
9.764	11.811						3.150	.059	1.024	4.803	4.094	1015		
248.00	300.00	18	18	C10	3	820-300SP18-C10	100.00	1.50	26.00	128.00	104.00	70	12.640	2
9.764	11.811						3.937	.059	1.024	5.039	4.094	1015		

KAPR



90°



TCMT, TCMX, TCGT, TCGX, TCEX, TCMW

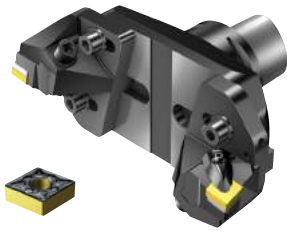
							Dimensions, mm, inch							
DCN	DCX	IC	CZC _{MS}	CNSC	Ordering code	DCON _{MS}	ADJLX _{AXL}	ADJLX _{RDL}	LF	OAH	BAR PSI	KG	CICT	MIID
148.00	200.00	22	1/2	C8	3	820-200TC22-C8	80.00	1.50	26.00	122.00	104.00	70	8.390	2
5.827	7.874						3.150	.059	1.024	4.803	4.094	1015		
148.00	200.00	22	1/2	C10	3	820-200TC22-C10	100.00	1.50	26.00	128.00	104.00	70	10.170	2
5.827	7.874						3.937	.059	1.024	5.039	4.094	1015		
198.00	250.00	22	1/2	C8	3	820-250TC22-C8	80.00	1.50	26.00	122.00	104.00	70	8.800	2
7.795	9.843						3.150	.059	1.024	4.803	4.094	1015		
198.00	250.00	22	1/2	C10	3	820-250TC22-C10	100.00	1.50	26.00	128.00	104.00	70	11.400	2
7.795	9.843						3.937	.059	1.024	5.039	4.094	1015		
248.00	300.00	22	1/2	C8	3	820-300TC22-C8	80.00	1.50	26.00	122.00	104.00	70	10.600	2
9.764	11.811						3.150	.059	1.024	4.803	4.094	1015		
248.00	300.00	22	1/2	C10	3	820-300TC22-C10	100.00	1.50	26.00	128.00	104.00	70	12.660	2
9.764	11.811						3.937	.059	1.024	5.039	4.094	1015		

For inserts, see Turning tools catalogue



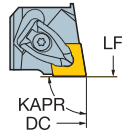
CoroBore® 820 XL rough boring tool

Coromant Capto® - Internal coolant supply

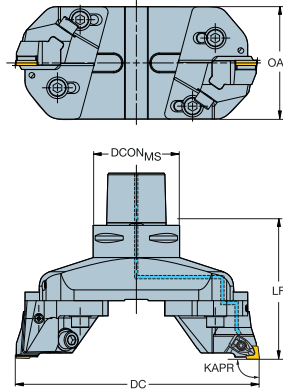


- CNMM
- CNMG
- CNMA, CNGA

KAPR

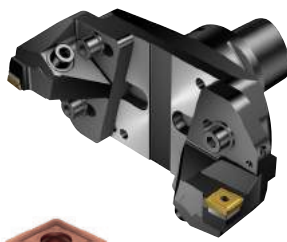


90°



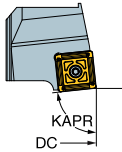
				Dimensions, mm, inch											
DCN	DCX			CZC _{MS}	CNSC	Ordering code	DCON _{MS}	ADJLX _{AXL}	ADJLX _{RDL}	LF	OAH			CICT	MIID
148.00	200.00	19	3/4	C8	3	820-200CN19-C8	80.00	1.50	26.00	122.00	104.00	70	8.240	2	CNMG 19 06 12
5.827	7.874						3.150	.059	1.024	4.803	4.094	1015			
148.00	200.00	19	3/4	C10	3	820-200CN19-C10	100.00	1.50	26.00	128.00	104.00	70	10.100	2	CNMG 19 06 12
5.827	7.874						3.937	.059	1.024	5.039	4.094	1015			
198.00	250.00	19	3/4	C8	3	820-250CN19-C8	80.00	1.50	26.00	122.00	104.00	70	9.620	2	CNMG 19 06 12
7.795	9.843						3.150	.059	1.024	4.803	4.094	1015			
198.00	250.00	19	3/4	C10	3	820-250CN19-C10	100.00	1.50	26.00	128.00	104.00	70	11.520	2	CNMG 19 06 12
7.795	9.843						3.937	.059	1.024	5.039	4.094	1015			
248.00	300.00	19	3/4	C8	3	820-300CN19-C8	80.00	1.50	26.00	122.00	104.00	70	10.000	2	CNMG 19 06 12
9.764	11.811						3.150	.059	1.024	4.803	4.094	1015			
248.00	300.00	19	3/4	C10	3	820-300CN19-C10	100.00	1.50	26.00	128.00	104.00	70	12.685	2	CNMG 19 06 12
9.764	11.811						3.937	.059	1.024	5.039	4.094	1015			

For inserts, see Turning tools catalogue

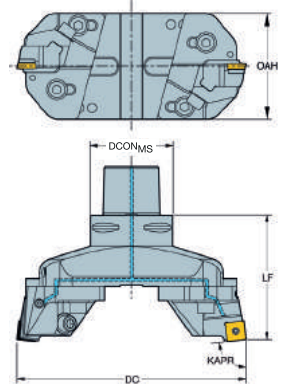


- SPMT

KAPR



84°



				Dimensions, mm, inch											
DCN	DCX			CZC _{MS}	CNSC	Ordering code	DCON _{MS}	ADJLX _{AXL}	ADJLX _{RDL}	LF	OAH			CICT	MIID
148.00	200.00	18	18	C8	3	820-200SP18Y-C8	80.00	1.50	26.00	122.00	104.00	70	7.030	2	SPMT 1810-BM
5.827	7.874						3.150	.059	1.024	4.803	4.094	1015			
148.00	200.00	18	18	C10	3	820-200SP18Y-C10	100.00	1.50	26.00	128.00	104.00	70	8.940	2	SPMT 1810-BM
5.827	7.874						3.937	.059	1.024	5.039	4.094	1015			
198.00	250.00	18	18	C8	3	820-250SP18Y-C8	80.00	1.50	26.00	122.00	104.00	70	8.260	2	SPMT 1810-BM
7.795	9.843						3.150	.059	1.024	4.803	4.094	1015			
198.00	250.00	18	18	C10	3	820-250SP18Y-C10	100.00	1.50	26.00	128.00	104.00	70	10.190	2	SPMT 1810-BM
7.795	9.843						3.937	.059	1.024	5.039	4.094	1015			
248.00	300.00	18	18	C8	3	820-300SP18Y-C8	80.00	1.50	26.00	122.00	104.00	70	9.460	2	SPMT 1810-BM
9.764	11.811						3.150	.059	1.024	4.803	4.094	1015			
248.00	300.00	18	18	C10	3	820-300SP18Y-C10	100.00	1.50	26.00	128.00	104.00	70	11.510	2	SPMT 1810-BM
9.764	11.811						3.937	.059	1.024	5.039	4.094	1015			

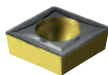


CoroBore® 820 XL lightweight rough boring tool

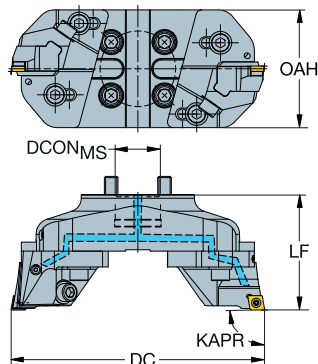
Arbor - Internal coolant supply

KAPR

90°



- CCMT, CCGT
CCGX, CCET
- CCMW

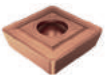


		Dimensions, mm, inch														
DCN	DCX			CZC _{MS}	CNSC	Ordering code	DCON _{MS}	ISO	ADJLX _{AXL}	ADJLX _{RDL}	LF	OAH			CICT	MIID
148.00	200.00	12	1/2	40S	1	820L-200CC12F	40.00	C	1.50	26.00	102.00	104.00	70	3.860	2	CCMT 12 04 08
5.827	7.874						1.575		.059	1.024	4.016	4.094	1015			
198.00	250.00	12	1/2	40S	1	820L-250CC12F	40.00	C	1.50	26.00	102.00	104.00	70	4.390	2	CCMT 12 04 08
7.795	9.843						1.575		.059	1.024	4.016	4.094	1015			
248.00	300.00	12	1/2	40S	1	820L-300CC12F	40.00	C	1.50	26.00	102.00	104.00	70	4.870	2	CCMT 12 04 08
9.764	11.811						1.575		.059	1.024	4.016	4.094	1015			

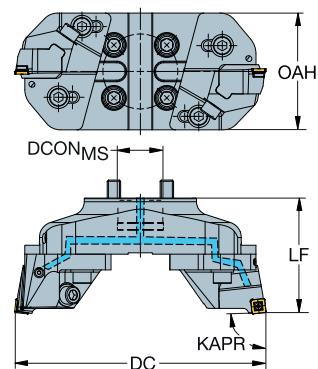
For inserts, see Turning tools catalogue

KAPR

84°



- SPMT



		Dimensions, mm, inch														
DCN	DCX			CZC _{MS}	CNSC	Ordering code	DCON _{MS}	ISO	ADJLX _{AXL}	ADJLX _{RDL}	LF	OAH			CICT	MIID
148.00	200.00	12	12	40S	1	820L-200SP12Y	40.00	C	1.50	26.00	102.00	104.00	70	3.860	2	SPMT 1210-BM
5.827	7.874						1.575		.059	1.024	4.016	4.094	1015			
198.00	250.00	12	12	40S	1	820L-250SP12Y	40.00	C	1.50	26.00	102.00	104.00	70	4.390	2	SPMT 1210-BM
7.795	9.843						1.575		.059	1.024	4.016	4.094	1015			
248.00	300.00	12	12	40S	1	820L-300SP12Y	40.00	C	1.50	26.00	102.00	104.00	70	4.870	2	SPMT 1210-BM
9.764	11.811						1.575		.059	1.024	4.016	4.094	1015			

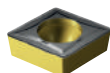
Use with 40S facemill holders, for example: C8-391.05-40 060M. To be ordered separately.



CoroBore® 820 XL rough boring tool

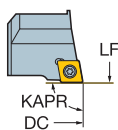
Arbor - Internal coolant supply

Dedicated for Silent Tools boring

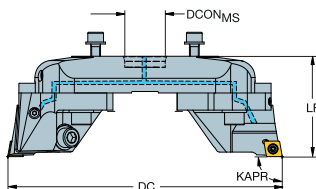
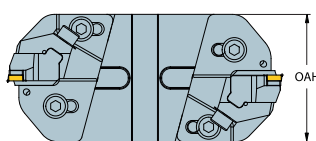


- CCMT, CCGT
CCGX, CCET
- CCMW

KAPR

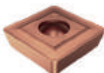


90°



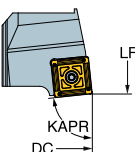
							Dimensions, mm, inch								
DCN	DCX			CZC _{MS}	CNSC	Ordering code	DCON _{MS}	ADJLX _{AXL}	ADJLX _{RDL}	LF	OAH			CICT	MIID
148.00	200.00	12	1/2	33	1	820D-200CC12	33.00	1.50	26.00	82.00	104.00	70	3.350	2	CCMT 12 04 08
5.827	7.874						1.299	.059	1.024	3.228	4.094	1015			
198.00	250.00	12	1/2	33	1	820D-250CC12	33.00	1.50	26.00	82.00	104.00	70	3.670	2	CCMT 12 04 08
7.795	9.843						1.299	.059	1.024	3.228	4.094	1015			
248.00	300.00	12	1/2	33	1	820D-300CC12	33.00	1.50	26.00	82.00	104.00	70	4.030	2	CCMT 12 04 08
9.764	11.811						1.299	.059	1.024	3.228	4.094	1015			

For inserts, see Turning tools catalogue

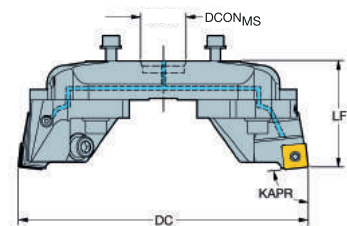
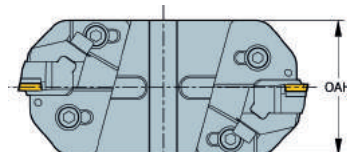


- SPMT

KAPR



84°



							Dimensions, mm, inch								
DCN	DCX			CZC _{MS}	CNSC	Ordering code	DCON _{MS}	ADJLX _{AXL}	ADJLX _{RDL}	LF	OAH			CICT	MIID
148.00	200.00	12	12	33	1	820D-200SP12Y	33.00	1.50	26.00	82.00	104.00	70	3.350	2	SPMT 1210-BM
5.827	7.874						1.299	.059	1.024	3.228	4.094	1015			
198.00	250.00	12	12	33	1	820D-250SP12Y	33.00	1.50	26.00	82.00	104.00	70	3.670	2	SPMT 1210-BM
7.795	9.843						1.299	.059	1.024	3.228	4.094	1015			
248.00	300.00	12	12	33	1	820D-300SP12Y	33.00	1.50	26.00	82.00	104.00	70	4.030	2	SPMT 1210-BM
9.764	11.811						1.299	.059	1.024	3.228	4.094	1015			

These light weight assemblies are dedicated for use with damped boring adaptors. Damped adaptors are bought separately, see page 252.



104



263



289



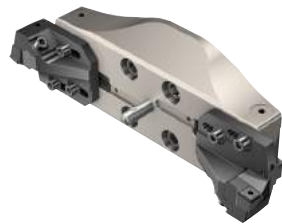
282



267

CoroBore® 820 XL rough boring tool

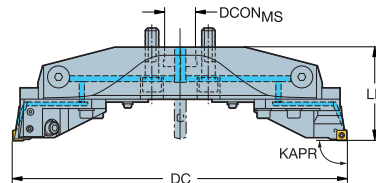
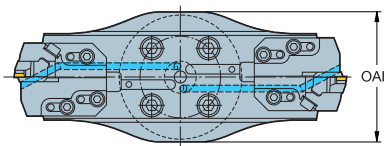
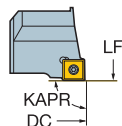
Arbor - Internal coolant supply



SPMT

KAPR

90°



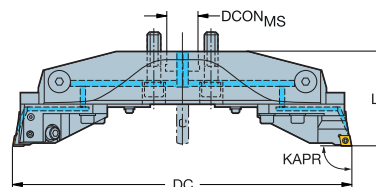
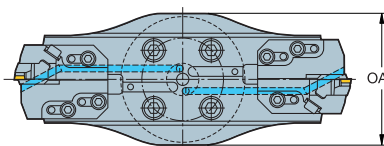
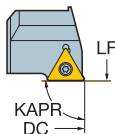
		Dimensions, mm, inch													
DCN	DCX	IC	IC	CZC _{MS}	CNSC	Ordering code	DCON _{MS}	ADJLX _{AXL}	ADJLX _{RDL}	LF	OAH	BAR PSI	KG	CICT	MIID
298.00	380.00	18	18	40X	1	820-380SP18	40.00	1.50	41.00	114.00	164.00	70	10.000	2	SPMT 1810-BM
11.732	14.961						1.575	.059	1.614	4.488	6.457	1015			
378.00	460.00	18	18	40X	1	820-460SP18	40.00	1.50	41.00	119.00	164.00	70	13.131	2	SPMT 1810-BM
14.882	18.110						1.575	.059	1.614	4.685	6.457	1015			
458.00	540.00	18	18	40X	1	820-540SP18	40.00	1.50	41.00	124.00	164.00	70	16.741	2	SPMT 1810-BM
18.032	21.260						1.575	.059	1.614	4.882	6.457	1015			

KAPR

90°



TCMT, TCMX,
TCGT, TCGX
TCEX
TCMW



		Dimensions, mm, inch													
DCN	DCX	IC	IC	CZC _{MS}	CNSC	Ordering code	DCON _{MS}	ADJLX _{AXL}	ADJLX _{RDL}	LF	OAH	BAR PSI	KG	CICT	MIID
298.00	380.00	22	1/2	40X	1	820-380TC22	40.00	1.50	41.00	114.00	164.00	70	10.980	2	TCMT 22 04 08
11.732	14.961						1.575	.059	1.614	4.488	6.457	1015			
378.00	460.00	22	1/2	40X	1	820-460TC22	40.00	1.50	41.00	119.00	164.00	70	12.720	2	TCMT 22 04 08
14.882	18.110						1.575	.059	1.614	4.685	6.457	1015			
458.00	540.00	22	1/2	40X	1	820-540TC22	40.00	1.50	41.00	124.00	164.00	70	16.580	2	TCMT 22 04 08
18.032	21.260						1.575	.059	1.614	4.882	6.457	1015			

Use with 40X CoroBore XL holders only. To be ordered separately. See page 251.

In case of direct flange to the machine spindle, use centering plug, see page 249

For inserts, see Turning tools catalogue



104



263



289



282

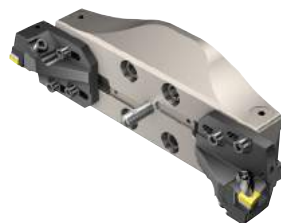




267

CoroBore® 820 XL rough boring tool

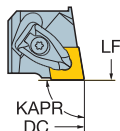
Arbor - Internal coolant supply

ENG

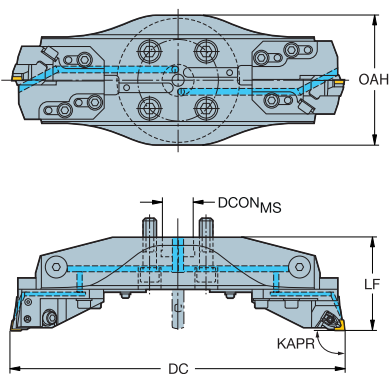






-  CNMM
-  CNMG
-  CNMA, CNGA

KAPR

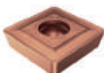
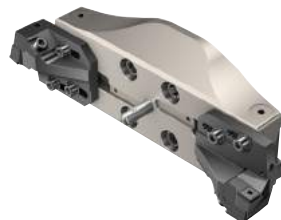


90°



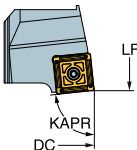
		Dimensions, mm, inch													
DCN	DCX			CZC _{MS}	CNSC	Ordering code	DCON _{MS}	ADJLX _{AXL}	ADJLX _{RDL}	LF	OAH			CICT	MIID
298.00	380.00	19	3/4	40X	1	820-380CN19	40.00	1.50	41.00	114.00	164.00	70	10.815	2	CNMG 19 06 12
11.732	14.961						1.575	.059	1.614	4.488	6.457	1015			
378.00	460.00	19	3/4	40X	1	820-460CN19	40.00	1.50	41.00	119.00	164.00	70	12.685	2	CNMG 19 06 12
14.882	18.110						1.575	.059	1.614	4.685	6.457	1015			
458.00	540.00	19	3/4	40X	1	820-540CN19	40.00	1.50	41.00	124.00	164.00	70	16.780	2	CNMG 19 06 12
18.032	21.260						1.575	.059	1.614	4.882	6.457	1015			

For inserts, see Turning tools catalogue

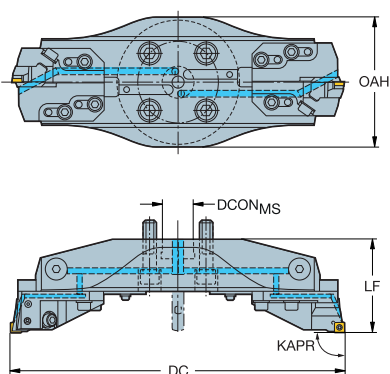






 SPMT

KAPR



84°



		Dimensions, mm, inch													
DCN	DCX			CZC _{MS}	CNSC	Ordering code	DCON _{MS}	ADJLX _{AXL}	ADJLX _{RDL}	LF	OAH			CICT	MIID
298.00	380.00	18	18	40X	1	820-380SP18Y	40.00	1.50	41.00	114.00	164.00	70	9.050	2	SPMT 1810-BM
11.732	14.961						1.575	.059	1.614	4.488	6.457	1015			
378.00	460.00	18	18	40X	1	820-460SP18Y	40.00	1.50	41.00	119.00	164.00	70	10.810	2	SPMT 1810-BM
14.882	18.110						1.575	.059	1.614	4.685	6.457	1015			
458.00	540.00	18	18	40X	1	820-540SP18Y	40.00	1.50	41.00	124.00	164.00	70	12.740	2	SPMT 1810-BM
18.032	21.260						1.575	.059	1.614	4.882	6.457	1015			

Use with 40X CoroBore XL holders only. To be ordered separately. See page 251.

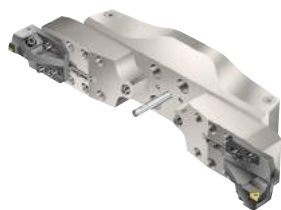
In case of direct flange to the machine spindle, use centering spindle, see page 249



CoroBore® 820 XL rough boring tool

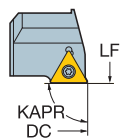
Arbor - Internal coolant supply

With bridge extension

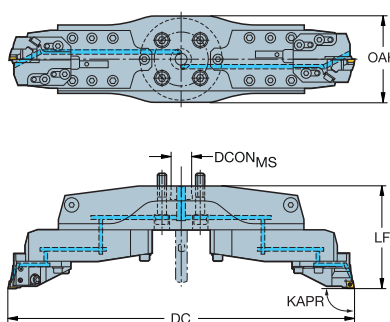


- TCMT, TCMX, TCGT, TCGX, TCEX
- TCMW

KAPR

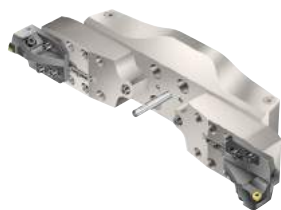


90°



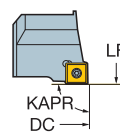
							Dimensions, mm, inch								
DCN	DCX			CZC _{MS}	CNSC	Ordering code	DCON _{MS}	ADJLX _{AVL}	ADJLX _{RDL}	LF	OAH			CICT	MIID
538.00	780.00	22	1/2	40X	1	820-780TC22	40.00	1.50	121.00	198.00	164.00	70	28.000	2	TCMT 22 04 08
21.181	30.709						1.575	.059	4.764	7.795	6.457	1015			
778.00	1020.00	22	1/2	40X	1	820-1020TC22	40.00	1.50	121.00	218.00	164.00	70	48.000	2	TCMT 22 04 08
30.630	40.158						1.575	.059	4.764	8.583	6.457	1015			
1018.00	1260.00	22	1/2	40X	1	820-1260TC22	40.00	1.50	121.00	218.00	164.00	70	43.730	2	TCMT 22 04 08
40.079	49.606						1.575	.059	4.764	8.583	6.457	1015			

For inserts, see Turning tools catalogue

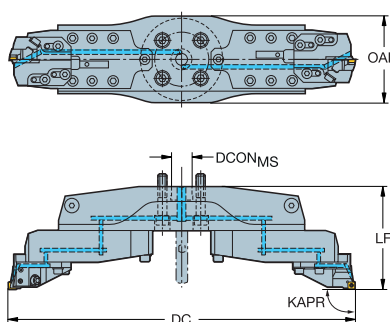


- SPMT

KAPR



90°



							Dimensions, mm, inch								
DCN	DCX			CZC _{MS}	CNSC	Ordering code	DCON _{MS}	ADJLX _{AVL}	ADJLX _{RDL}	LF	OAH			CICT	MIID
538.00	780.00	18	18	40X	1	820-780SP18	40.00	1.50	121.00	198.00	164.00	70	39.000	2	SPMT 1810-BM
21.181	30.709						1.575	.059	4.764	7.795	6.457	1015			
778.00	1020.00	18	18	40X	1	820-1020SP18	40.00	1.50	121.00	218.00	164.00	70	36.380	2	SPMT 1810-BM
30.630	40.158						1.575	.059	4.764	8.583	6.457	1015			
1018.00	1260.00	18	18	40X	1	820-1260SP18	40.00	1.50	121.00	218.00	164.00	70	43.810	2	SPMT 1810-BM
40.079	49.606						1.575	.059	4.764	8.583	6.457	1015			

Use with 40X CoroBore XL holders only. To be ordered separately. See page 251.

In case of direct flange to the machine spindle, use centering plug, see page 249



104



263



289



282

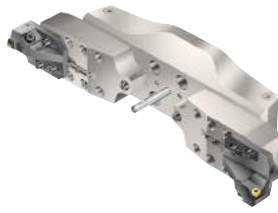


267

CoroBore® 820 XL rough boring tool

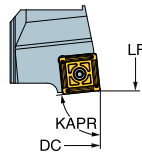
Arbor - Internal coolant supply

With bridge extension

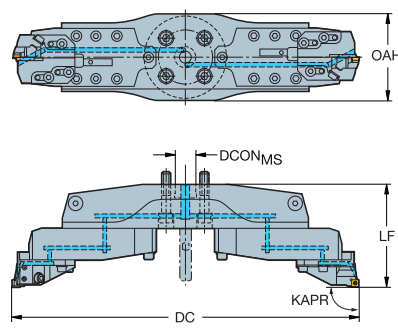


SPMT

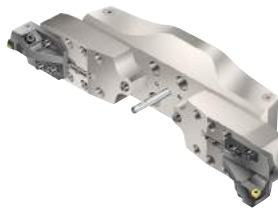
KAPR



84°

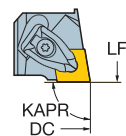


						Dimensions, mm, inch									
DCN	DCX			CZC _{MS}	CNSC	Ordering code	DCON _{MS}	ADJL _X _{AXL}	ADJL _X _{RDL}	LF	OAH			CICT	MIID
538.00	780.00	18	18	40X	1	820-780SP18Y	40.00	1.50	121.00	198.00	164.00	70	25.190	2	SPMT 1810-BM
21.181	30.709						1.575	.059	4.764	7.795	6.457	1015			
778.00	1020.00	18	18	40X	1	820-1020SP18Y	40.00	1.50	121.00	218.00	164.00	70	36.380	2	SPMT 1810-BM
30.630	40.158						1.575	.059	4.764	8.583	6.457	1015			
1018.00	1260.00	18	18	40X	1	820-1260SP18Y	40.00	1.50	121.00	218.00	164.00	70	43.810	2	SPMT 1810-BM
40.079	49.606						1.575	.059	4.764	8.583	6.457	1015			

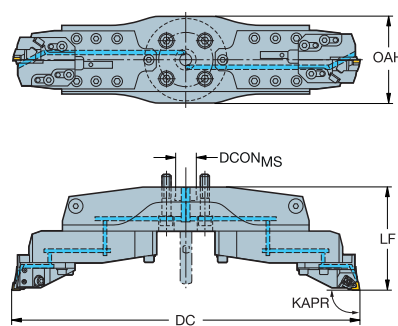


- CNMM
- CNMG
- CNMA, CNGA

KAPR



90°



						Dimensions, mm, inch									
DCN	DCX			CZC _{MS}	CNSC	Ordering code	DCON _{MS}	ADJL _X _{AXL}	ADJL _X _{RDL}	LF	OAH			CICT	MIID
538.00	780.00	19	3/4	40X	1	820-780CN19	40.00	1.50	121.00	198.00	164.00	70	34.000	2	CNMG 19 06 12
21.181	30.709						1.575	.059	4.764	7.795	6.457	1015			
778.00	1020.00	19	3/4	40X	1	820-1020CN19	40.00	1.50	121.00	218.00	164.00	70	43.000	2	CNMG 19 06 12
30.630	40.158						1.575	.059	4.764	8.583	6.457	1015			
1018.00	1260.00	19	3/4	40X	1	820-1260CN19	40.00	1.50	121.00	218.00	164.00	70	43.830	2	CNMG 19 06 12
40.079	49.606						1.575	.059	4.764	8.583	6.457	1015			

Use with 40X CoroBore XL holders only. To be ordered separately. See page 251.

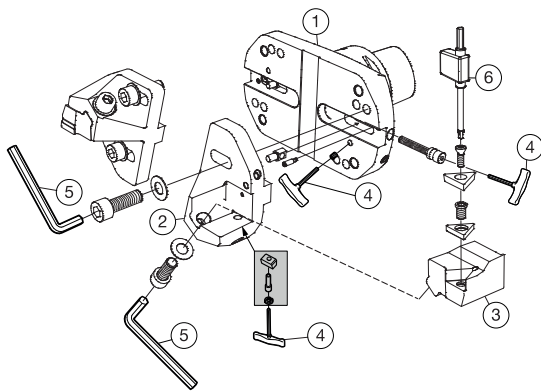
In case of direct flange to the machine spindle, use centering plug, see page 249

For inserts, see Turning tools catalogue



Included parts

Coromant Capto®



Included parts				
	1	2	3	4
Ordering code	Adaptor	Slide	Cartridge	Key
820-200SP18-C8	C8-R822XLS17-AJ 070	S17-R820XLS12-012	S12-R820XLR40SSFP18	265.2-817
820-200SP18-C10	C10-R822XLS17-AJ 076	S17-R820XLS12-012	S12-R820XLR40SSFP18	265.2-817
820-250SP18-C8	C8-R822XLS17-AK 070	S17-R820XLS12-012	S12-R820XLR40SSFP18	265.2-817
820-250SP18-C10	C10-R822XLS17-AK 076	S17-R820XLS12-012	S12-R820XLR40SSFP18	265.2-817
820-300SP18-C8	C8-R822XLS17-AL 070	S17-R820XLS12-012	S12-R820XLR40SSFP18	265.2-817
820-300SP18-C10	C10-R822XLS17-AL 076	S17-R820XLS12-012	S12-R820XLR40SSFP18	265.2-817

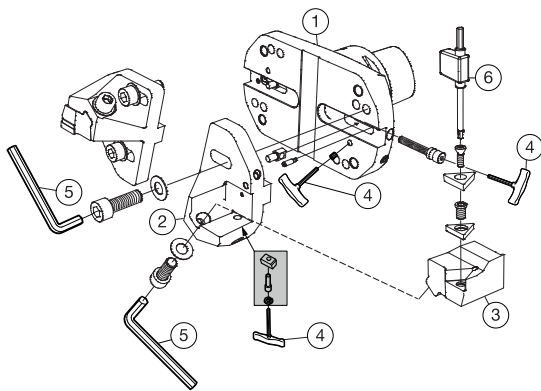
Included parts		
	5	6
Ordering code	Key	Key
820-200SP18-C8	3021 010-080	5680 049-02
820-200SP18-C10	3021 010-080	5680 049-02
820-250SP18-C8	3021 010-080	5680 049-02
820-250SP18-C10	3021 010-080	5680 049-02
820-300SP18-C8	3021 010-080	5680 049-02
820-300SP18-C10	3021 010-080	5680 049-02

Included parts				
	1	2	3	4
Ordering code	Adaptor	Slide	Cartridge	Key
820-200TC22-C8	C8-R822XLS17-AJ 070	S17-R820XLS12-012	S12-R820XLR40STFC22	265.2-817
820-200TC22-C10	C10-R822XLS17-AJ 076	S17-R820XLS12-012	S12-R820XLR40STFC22	265.2-817
820-250TC22-C8	C8-R822XLS17-AK 070	S17-R820XLS12-012	S12-R820XLR40STFC22	265.2-817
820-250TC22-C10	C10-R822XLS17-AK 076	S17-R820XLS12-012	S12-R820XLR40STFC22	265.2-817
820-300TC22-C8	C8-R822XLS17-AL 070	S17-R820XLS12-012	S12-R820XLR40STFC22	265.2-817
820-300TC22-C10	C10-R822XLS17-AL 076	S17-R820XLS12-012	S12-R820XLR40STFC22	265.2-817

Included parts		
	5	6
Ordering code	Key	Key
820-200TC22-C8	3021 010-080	5680 049-02
820-200TC22-C10	3021 010-080	5680 049-02
820-250TC22-C8	3021 010-080	5680 049-02
820-250TC22-C10	3021 010-080	5680 049-02
820-300TC22-C8	3021 010-080	5680 049-02
820-300TC22-C10	3021 010-080	5680 049-02

Included parts

Coromant Capto®



Included parts				
	1	2	3	4
Ordering code	Adaptor	Slide	Cartridge	Key
820-200CN19-C8	C8-R822XLS17-AJ 070	S17-R820XLS12-012	S12-R820XLR40DCFN19	265.2-817
820-200CN19-C10	C10-R822XLS17-AJ 076	S17-R820XLS12-012	S12-R820XLR40DCFN19	265.2-817
820-250CN19-C8	C8-R822XLS17-AK 070	S17-R820XLS12-012	S12-R820XLR40DCFN19	265.2-817
820-250CN19-C10	C10-R822XLS17-AK 076	S17-R820XLS12-012	S12-R820XLR40DCFN19	265.2-817
820-300CN19-C8	C8-R822XLS17-AL 070	S17-R820XLS12-012	S12-R820XLR40DCFN19	265.2-817
820-300CN19-C10	C10-R822XLS17-AL 076	S17-R820XLS12-012	S12-R820XLR40DCFN19	265.2-817

Included parts		
	5	6
Ordering code	Key	Key
820-200CN19-C8	3021 010-080	5680 043-14
820-200CN19-C10	3021 010-080	5680 043-14
820-250CN19-C8	3021 010-080	5680 043-14
820-250CN19-C10	3021 010-080	5680 043-14
820-300CN19-C8	3021 010-080	5680 043-14
820-300CN19-C10	3021 010-080	5680 043-14

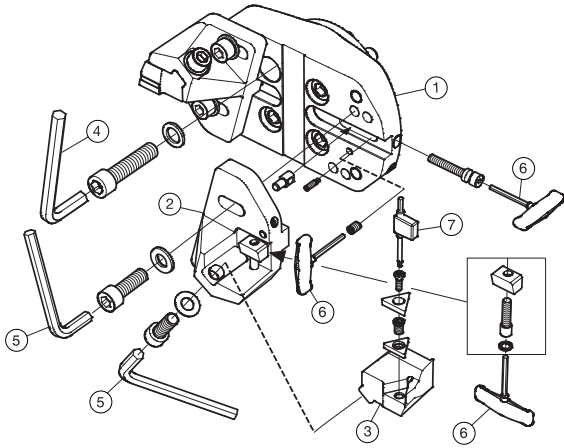
Included parts				
	1	2	3	4
Ordering code	Adaptor	Slide	Cartridge	Key
820-200SP18Y-C8	C8-R822XLS17-AJ 070	S17-R820XLS12-012	S12-R820XLR40SSYP18	265.2-817
820-200SP18Y-C10	C10-R822XLS17-AJ 076	S17-R820XLS12-012	S12-R820XLR40SSYP18	265.2-817
820-250SP18Y-C8	C8-R822XLS17-AK 070	S17-R820XLS12-012	S12-R820XLR40SSYP18	265.2-817
820-250SP18Y-C10	C10-R822XLS17-AK 076	S17-R820XLS12-012	S12-R820XLR40SSYP18	265.2-817
820-300SP18Y-C8	C8-R822XLS17-AL 070	S17-R820XLS12-012	S12-R820XLR40SSYP18	265.2-817
820-300SP18Y-C10	C10-R822XLS17-AL 076	S17-R820XLS12-012	S12-R820XLR40SSYP18	265.2-817

Included parts		
	5	6
Ordering code	Key	Key
820-200SP18Y-C8	3021 010-080	5680 049-02
820-200SP18Y-C10	3021 010-080	5680 049-02
820-250SP18Y-C8	3021 010-080	5680 049-02
820-250SP18Y-C10	3021 010-080	5680 049-02
820-300SP18Y-C8	3021 010-080	5680 049-02
820-300SP18Y-C10	3021 010-080	5680 049-02

Included parts

Arbor

Dedicated for Silent Tools boring



Included parts				
	1	2	3	4
Ordering code	Bridge	Slide	Cartridge	Key
820L-200CC12F	A40-R822XLS17-LJ 050	S17-R820XLS12-012	S12-R820XLR40SCFC12	3021 010-100
820L-250CC12F	A40-R822XLS17-LK 050	S17-R820XLS12-012	S12-R820XLR40SCFC12	3021 010-100
820L-300CC12F	A40-R822XLS17-LL 050	S17-R820XLS12-012	S12-R820XLR40SCFC12	3021 010-100

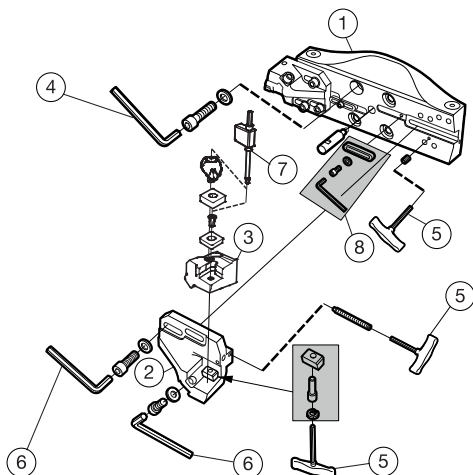
Included parts			
	5	6	7
Ordering code	Key	Key	Key
820L-200CC12F	3021 010-080	265.2-817	5680 046-02
820L-250CC12F	3021 010-080	265.2-817	5680 046-02
820L-300CC12F	3021 010-080	265.2-817	5680 046-02

Included parts				
	1	2	3	4
Ordering code	Bridge	Slide	Cartridge	Key
820L-200SP12Y	A40-R822XLS17-LJ 050	S17-R820XLS12-012	S12-R820XLR40SSYP12	3021 010-100
820L-250SP12Y	A40-R822XLS17-LK 050	S17-R820XLS12-012	S12-R820XLR40SSYP12	3021 010-100
820L-300SP12Y	A40-R822XLS17-LL 050	S17-R820XLS12-012	S12-R820XLR40SSYP12	3021 010-100

Included parts			
	5	6	7
Ordering code	Key	Key	Key
820L-200SP12Y	3021 010-080	265.2-817	5680 049-04
820L-250SP12Y	3021 010-080	265.2-817	5680 049-04
820L-300SP12Y	3021 010-080	265.2-817	5680 049-04

Included parts

Arbor



	Included parts			
	1	2	3	4
Ordering code	Bridge	Slide	Cartridge	Key
820-380SP18	A40-RXLS24-AM2 062	S24-R820XLS12-012	S12-R820XLR40SSFP18	3021 010-140
820-460SP18	A40-RXLS24-AN2 067	S24-R820XLS12-012	S12-R820XLR40SSFP18	3021 010-140
820-540SP18	A40-RXLS24-AO2 072	S24-R820XLS12-012	S12-R820XLR40SSFP18	3021 010-140

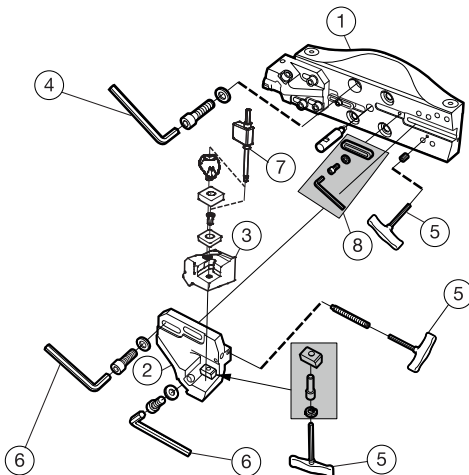
	Included parts			Accessories
	5	6	7	8
Ordering code	Key	Key	Key	Stop plate set
820-380SP18	265.2-817	3021 010-080	5680 049-02	5335 001-01
820-460SP18	265.2-817	3021 010-080	5680 049-02	5335 001-01
820-540SP18	265.2-817	3021 010-080	5680 049-02	5335 001-01

	Included parts			
	1	2	3	4
Ordering code	Bridge	Slide	Cartridge	Key
820-380TC22	A40-RXLS24-AM2 062	S24-R820XLS12-012	S12-R820XLR40STFC22	3021 010-140
820-460TC22	A40-RXLS24-AN2 067	S24-R820XLS12-012	S12-R820XLR40STFC22	3021 010-140
820-540TC22	A40-RXLS24-AO2 072	S24-R820XLS12-012	S12-R820XLR40STFC22	3021 010-140

	Included parts			Accessories
	5	6	7	8
Ordering code	Key	Key	Key	Stop plate set
820-380TC22	265.2-817	3021 010-080	5680 049-02	5335 001-01
820-460TC22	265.2-817	3021 010-080	5680 049-02	5335 001-01
820-540TC22	265.2-817	3021 010-080	5680 049-02	5335 001-01

Included parts

Arbor

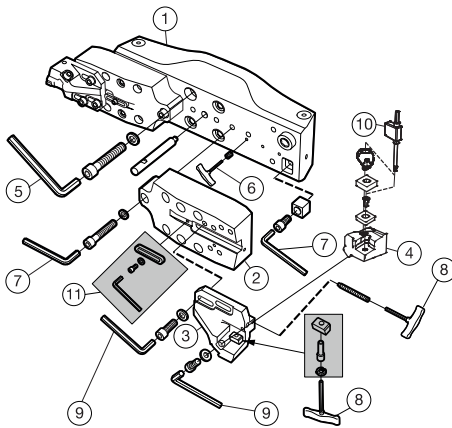


Included parts				
	1	2	3	4
Ordering code	Bridge	Slide	Cartridge	Key
820-380CN19	A40-RXLS24-AM2 062	S24-R820XLS12-012	S12-R820XLR40DCFN19	3021 010-140
820-460CN19	A40-RXLS24-AN2 067	S24-R820XLS12-012	S12-R820XLR40DCFN19	3021 010-140
820-540CN19	A40-RXLS24-AO2 072	S24-R820XLS12-012	S12-R820XLR40DCFN19	3021 010-140
Included parts				Accessories
	5	6	7	8
Ordering code	Key	Key	Key	Stop plate set
820-380CN19	265.2-817	3021 010-080	5680 043-14	5335 001-01
820-460CN19	265.2-817	3021 010-080	5680 043-14	5335 001-01
820-540CN19	265.2-817	3021 010-080	5680 043-14	5335 001-01

Included parts				
	1	2	3	4
Ordering code	Bridge	Slide	Cartridge	Key
820-380SP18Y	A40-RXLS24-AM2 062	S24-R820XLS12-012	S12-R820XLR40SSYP18	3021 010-140
820-460SP18Y	A40-RXLS24-AN2 067	S24-R820XLS12-012	S12-R820XLR40SSYP18	3021 010-140
820-540SP18Y	A40-RXLS24-AO2 072	S24-R820XLS12-012	S12-R820XLR40SSYP18	3021 010-140
Included parts				Accessories
	5	6	7	8
Ordering code	Key	Key	Key	Stop plate set
820-380SP18Y	265.2-817	3021 010-080	5680 049-02	5335 001-01
820-460SP18Y	265.2-817	3021 010-080	5680 049-02	5335 001-01
820-540SP18Y	265.2-817	3021 010-080	5680 049-02	5335 001-01

Included parts

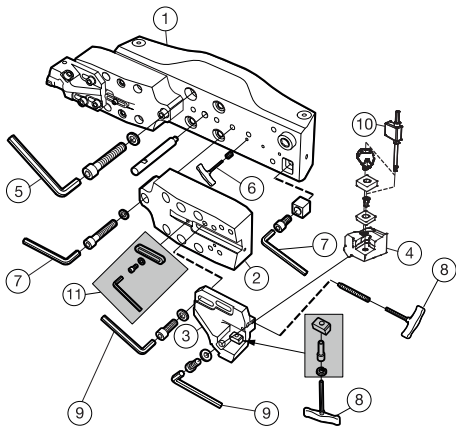
Arbor



Included parts				
	1	2	3	4
Ordering code	Bridge	Bridge extension	Slide	Cartridge
820-780TC22	A40-NXLA35-AP2 086	A35-RXLS24-A 060	S24-R820XLS12-012	S12-R820XLR40STFC22
820-1020TC22	A40-NXLA35-AQ2 106	A35-RXLS24-A 060	S24-R820XLS12-012	S12-R820XLR40STFC22
820-1260TC22	A40-NXLA35-AR2 106	A35-RXLS24-A 060	S24-R820XLS12-012	S12-R820XLR40STFC22
Included parts				
	5	6	7	8
Ordering code	Key	Key	Key	Key
820-780TC22	3021 010-140	265.2-821	3021 010-100	265.2-817
820-1020TC22	3021 010-140	265.2-821	3021 010-100	265.2-817
820-1260TC22	3021 010-140	265.2-821	3021 010-100	265.2-817
Included parts			Accessories	
	9	10	11	
Ordering code	Key	Key	Stop plate set	
820-780TC22	3021 010-080	5680 049-02	5335 001-01	
820-1020TC22	3021 010-080	5680 049-02	5335 001-01	
820-1260TC22	3021 010-080	5680 049-02	5335 001-01	

Included parts

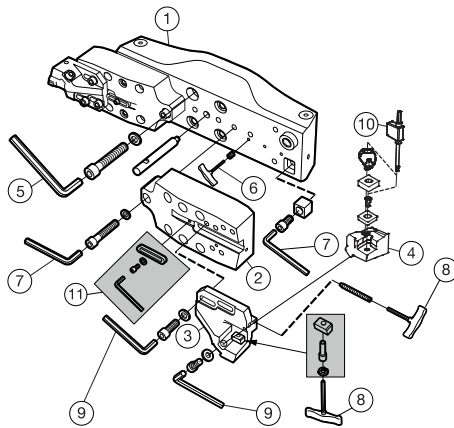
Arbor



Included parts				
	1	2	3	4
Ordering code	Bridge	Bridge extension	Slide	Cartridge
820-780SP18	A40-NXLA35-AP2 086	A35-RXLS24-A 060	S24-R820XLS12-012	S12-R820XLR40SSFP18
820-1020SP18	A40-NXLA35-AQ2 106	A35-RXLS24-A 060	S24-R820XLS12-012	S12-R820XLR40SSFP18
820-1260SP18	A40-NXLA35-AR2 106	A35-RXLS24-A 060	S24-R820XLS12-012	S12-R820XLR40SSFP18
Included parts				
	5	6	7	8
Ordering code	Key	Key	Key	Key
820-780SP18	3021 010-140	265.2-821	3021 010-100	265.2-817
820-1020SP18	3021 010-140	265.2-821	3021 010-100	265.2-817
820-1260SP18	3021 010-140	265.2-821	3021 010-100	265.2-817
Included parts			Accessories	
	9	10	11	
Ordering code	Key	Key	Stop plate set	
820-780SP18	3021 010-080	5680 049-02	5335 001-01	
820-1020SP18	3021 010-080	5680 049-02	5335 001-01	
820-1260SP18	3021 010-080	5680 049-02	5335 001-01	

Included parts

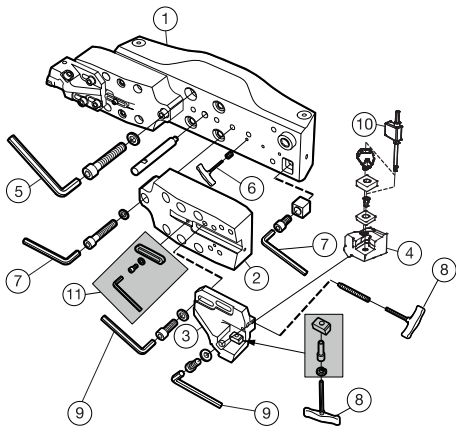
Arbor



Included parts				
	1	2	3	4
Ordering code	Bridge	Bridge extension	Slide	Cartridge
820-780SP18Y	A40-NXLA35-AP2 086	A35-RXLS24-A 060	S24-R820XLS12-012	S12-R820XLR40SSYP18
820-1020SP18Y	A40-NXLA35-AQ2 106	A35-RXLS24-A 060	S24-R820XLS12-012	S12-R820XLR40SSYP18
820-1260SP18Y	A40-NXLA35-AR2 106	A35-RXLS24-A 060	S24-R820XLS12-012	S12-R820XLR40SSYP18
Included parts				
	5	6	7	8
Ordering code	Key	Key	Key	Key
820-780SP18Y	3021 010-140	265.2-821	3021 010-100	265.2-817
820-1020SP18Y	3021 010-140	265.2-821	3021 010-100	265.2-817
820-1260SP18Y	3021 010-140	265.2-821	3021 010-100	265.2-817
Included parts			Accessories	
	9	10	11	
Ordering code	Key	Key	Stop plate set	
820-780SP18Y	3021 010-080	5680 049-02	5335 001-01	
820-1020SP18Y	3021 010-080	5680 049-02	5335 001-01	
820-1260SP18Y	3021 010-080	5680 049-02	5335 001-01	

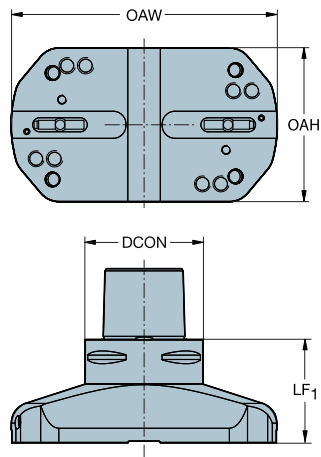
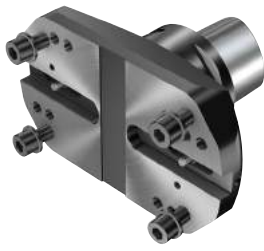
Included parts

Arbor



Included parts				
	1	2	3	4
Ordering code	Bridge	Bridge extension	Slide	Cartridge
820-780CN19	A40-NXLA35-AP2 086	A35-RXLS24-A 060	S24-R820XLS12-012	S12-R820XLR40DCFN19
820-1020CN19	A40-NXLA35-AQ2 106	A35-RXLS24-A 060	S24-R820XLS12-012	S12-R820XLR40DCFN19
820-1260CN19	A40-NXLA35-AR2 106	A35-RXLS24-A 060	S24-R820XLS12-012	S12-R820XLR40DCFN19
Included parts				
	5	6	7	8
Ordering code	Key	Key	Key	Key
820-780CN19	3021 010-140	265.2-821	3021 010-100	265.2-817
820-1020CN19	3021 010-140	265.2-821	3021 010-100	265.2-817
820-1260CN19	3021 010-140	265.2-821	3021 010-100	265.2-817
Included parts			Accessories	
	9	10	11	
Ordering code	Key	Key	Stop plate set	
820-780CN19	3021 010-080	5680 043-14	5335 001-01	
820-1020CN19	3021 010-080	5680 043-14	5335 001-01	
820-1260CN19	3021 010-080	5680 043-14	5335 001-01	

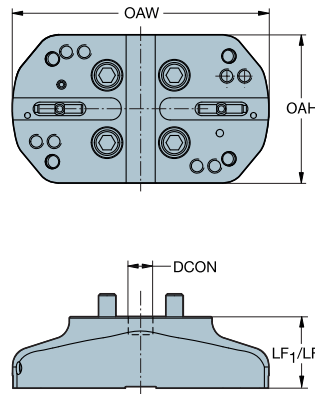
Coromant Capto® to CoroBore® XL tool body



					Dimensions, mm, inch								
DCN	DCX	CZC _{MS}	CZC _{WS}	CNSC	Ordering code	DCN _{MS}	LF	WF	OAH	OAW	BAR PSI	KG	
148.00	200.00	C6	S17FR	3	C6-R822XLS17-AJ058	63.00	58.00	35.50	104.00	130.00	70	3.313	
5.827	7.874					2.480	2.283	1.398	4.094	5.118	1015		
148.00	200.00	C8	S17FR	3	C8-R822XLS17-AJ 070	80.00	70.00	35.50	104.00	130.00	70	4.743	
5.827	7.874					3.150	2.756	1.398	4.094	5.118	1015		
148.00	200.00	C10	S17FR	3	C10-R822XLS17-AJ 076	100.00	76.00	35.50	104.00	130.00	70	6.631	
5.827	7.874					3.937	2.992	1.398	4.094	5.118	1015		
198.00	250.00	C6	S17FR	3	C6-R822XLS17-AK058	63.00	58.00	60.50	104.00	180.00	70	4.555	
7.795	9.843					2.480	2.283	2.382	4.094	7.087	1015		
198.00	250.00	C8	S17FR	3	C8-R822XLS17-AK 070	80.00	70.00	60.50	104.00	180.00	70	5.900	
7.795	9.843					3.150	2.756	2.382	4.094	7.087	1015		
198.00	250.00	C10	S17FR	3	C10-R822XLS17-AK 076	100.00	76.00	60.50	104.00	180.00	70	8.100	
7.795	9.843					3.937	2.992	2.382	4.094	7.087	1015		
248.00	300.00	C8	S17FR	3	C8-R822XLS17-AL 070	80.00	70.00	85.50	104.00	230.00	70	7.080	
9.764	11.811					3.150	2.756	3.366	4.094	9.055	1015		
248.00	300.00	C10	S17FR	3	C10-R822XLS17-AL 076	100.00	76.00	85.50	104.00	230.00	70	9.328	
9.764	11.811					3.937	2.992	3.366	4.094	9.055	1015		
298.00	350.00	C8	S17FR	3	C8-R822XLS17-AM070	80.00	70.00	110.50	104.00	280.00	70	7.266	
11.732	13.780					3.150	2.756	4.350	4.094	11.024	1015		
298.00	350.00	C10	S17FR	3	C10-R822XLS17-AM076	100.00	76.00	110.50	104.00	280.00	70	10.478	
11.732	13.780					3.937	2.992	4.350	4.094	11.024	1015		



Arbor to CoroBore® XL tool body



					Dimensions, mm, inch									
DCN	DCX	CZC _{MS}	CZC _{MS}	CNSC	Ordering code	DCN _{MS}	ISO	LF	WF	OAH	OAW	BAR PSI	KG	
148.00	200.00	40S	S17FR	1	A40-R822XLS17-LJ 050	40.00	C	50.00	35.50	104.00	130.00	70	1.550	
5.827	7.874					1.575		1.969	1.398	4.094	5.118	1015		
198.00	250.00	40S	S17FR	1	A40-R822XLS17-LK 050	40.00	C	50.00	60.50	104.00	180.00	70	2.063	
7.795	9.843					1.575		1.969	2.382	4.094	7.087	1015		
248.00	300.00	40S	S17FR	1	A40-R822XLS17-LL 050	40.00	C	50.00	85.50	104.00	230.00	70	2.502	
9.764	11.811					1.575		1.969	3.366	4.094	9.055	1015		

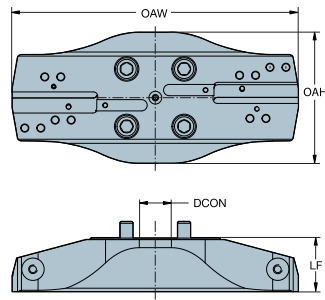


289

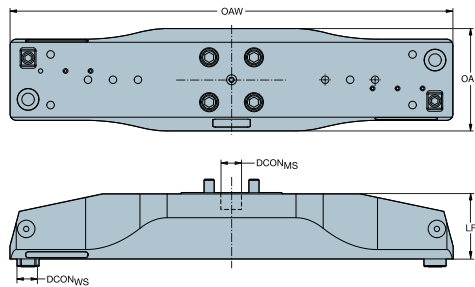


282

Arbor to CoroBore® XL bridge



						Dimensions, mm, inch							
DCN	DCX	CZC _{MS}	CZC _{WS}	CNSC	Ordering code	DCON _{MS}	LF	LPR	WF	OAH	OAW	BAR PSI	KG
298.00	380.00	40X	S24R	1	A40-RXLS24-AM2 062	40.00	62.00	107.00	103.25	164.00	278.00	70	5.644
11.732	14.961					1.575	2.441	4.213	4.065	6.457	10.945	1015	
378.00	460.00	40X	S24R	1	A40-RXLS24-AN2 067	40.00	67.00	112.00	143.25	164.00	358.00	70	7.385
14.882	18.110					1.575	2.638	4.409	5.640	6.457	14.095	1015	
458.00	540.00	40X	S24R	1	A40-RXLS24-AO2 072	40.00	72.00	117.00	183.25	164.00	438.00	70	11.425
18.032	21.260					1.575	2.835	4.606	7.215	6.457	17.244	1015	



						Dimensions, mm, inch								
DCN	DCX	CZC _{MS}	CZC _{WS}	CNSC	Ordering code	DCON _{MS}	DCON _{WS}	LF	LPR	WF	OAH	OAW	BAR PSI	KG
538.00	780.00	40X	A35	1	A40-NXLA35-AP2 086	40.00	35.00	86.00	186.00	206.00	164.00	470.00	70	16.590
21.181	30.709					1.575	1.378	3.386	7.323	8.110	6.457	18.504	1015	
778.00	1020.00	40X	A35	1	A40-NXLA35-AQ2 106	40.00	35.00	106.00	206.00	326.00	164.00	710.00	70	29.500
30.630	40.158					1.575	1.378	4.173	8.110	12.835	6.457	27.953	1015	

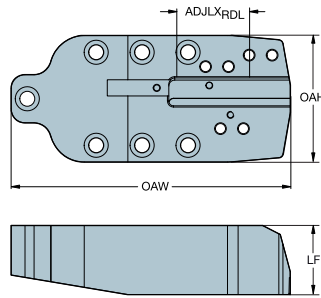


289



282

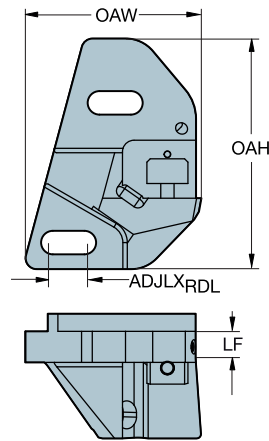
CoroBore® XL bridge extension



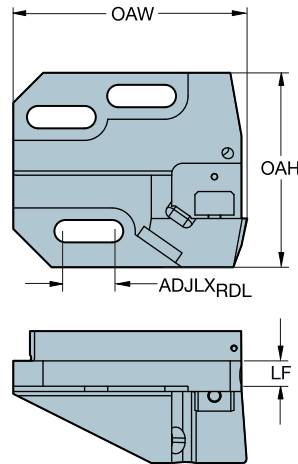
			Dimensions, mm, inch									
CZC _{MS}	CZC _{WS}	CNSC	Ordering code	DCON _{MS}	ADJLX _{AVL}	ADJLX _{RDL}	LF	WF	OAH	OAW	BAR PSI	KG
A35	S24RI	4	A35-RXLS24-A 060A	35.00	20.00	80.00	60.00	17.25	110.00	243.00	70	3.540
				1.378	.787	3.150	2.362	.679	4.331	9.567	1015	



Slide for CoroBore® XL



				Dimensions, mm, inch							
CZC _{MS}	CZC _{WS}	CNSC	Ordering code	ADJLXRDL	LF	LPR	WF	OAH	OAW	BAR PSI	KG
S17R	S12	4	S17-R820XLS12-012	14.00	12.00	48.30	3.82	104.00	79.24	70	1.036
				.551	.472	1.902	.150	4.094	3.120	1015	



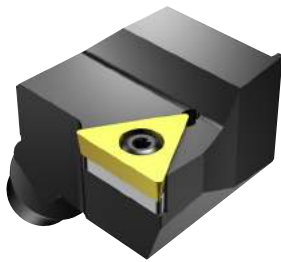
				Dimensions, mm, inch							
CZC _{MS}	CZC _{WS}	CNSC	Ordering code	ADJLXRDL	LF	LPR	WF	OAH	OAW	BAR PSI	KG
S24R	S12	4	S24-R820XLS12-012	22.00	12.00	48.30	3.23	92.00	110.37	70	1.650
				.866	.472	1.902	.127	3.622	4.345	1015	





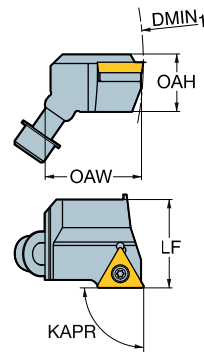
Cartridge for CoroBore® XL

KAPR

90°



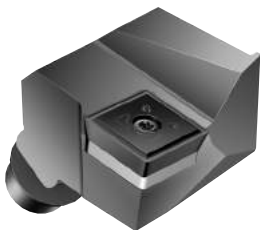
-  TCMT, TCMX, TCGT, TCGX, TCEX
-  TCMW



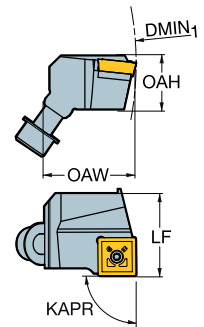
		Dimensions, mm									
$DMIN_1$	CZC_{MS}	Ordering code		LF	HF	WF	OAH	OAL	KG	CICT	MIID
148.0	22	S12	S12-R820XLR40STFC22	40.00	22.40	42.00	30.16	42.00	0.283	1	TCMT 22 04 08

KAPR

90°



-  SPMT



		Dimensions, mm										
$DMIN_1$	CZC_{MS}	Ordering code		LF	LPR	HF	WF	OAH	OAL	KG	CICT	MIID
148.0	18	S12	S12-R820XLR40SSFP18A	40.00	42.00	22.40	42.00	30.16	42.00	0.240	1	SPMT 1810-BM

For inserts, see Turning tools catalogue



104



289

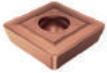
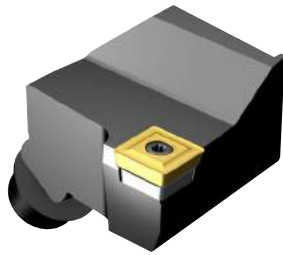


282

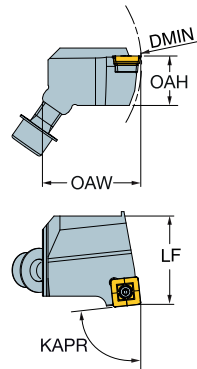
Cartridge for CoroBore® XL

KAPR

84°



SPMT



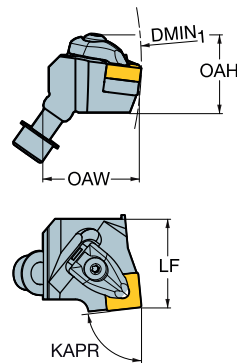
				Dimensions, mm, inch								
DMIN ₁	IC	CZC _{MS}	Ordering code	LF	LPR	WF	OAH	OAW	KG	CICT	MIID	
148.0	12	12	S12	S12-R820XLR40SSYP12	40.00		42.00	30.16	44.54	0.250	1	SPMT 1210-BM
5.827					1.575		1.654	1.187	1.754			
148.0	18	18	S12	S12-R820XLR40SSYP18	40.00	43.90	42.00	30.16	44.54	0.236	1	SPMT 1810-BM
5.827					1.575	1.728	1.654	1.187	1.754			

KAPR

90°



CNMM
 CNMG
 CNMA, CNGA



				Dimensions, mm, inch								
DMIN ₁	IC	CZC _{MS}	Ordering code	LF	WF	OAH	OAW	KG	CICT	MIID		
148.0	19	3/4	S12	S12-R820XLR40DCFN19	40.00	42.00	40.78	44.54	0.300	1	CNMG 19 06 12	
5.827					1.575	1.654	1.606	1.754				

For inserts, see Turning tools catalogue



104



289

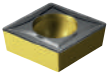
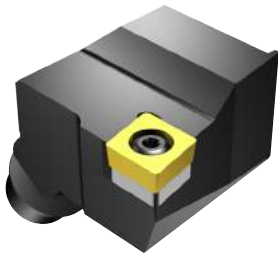


282

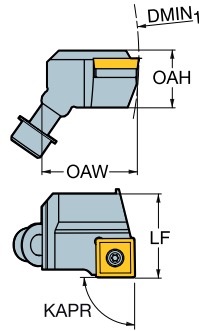
Cartridge for CoroBore® XL

KAPR

90°



- CCMT, CCGT
CCGX, CCET
- CCMW



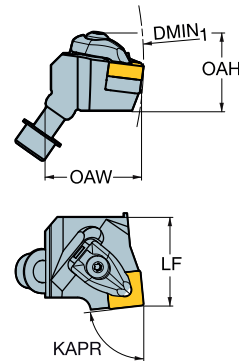
		Dimensions, mm, inch									
DMIN ₁	IC	CZC _{MS}	Ordering code	LF	WF	OAH	OAW	KG	CICT	MIID	
148.0	12	1/2	S12	S12-R820XLR40SCFC12	40.00	42.00	30.16	44.54	0.280	1	CCMT 12 04 08
5.827					1.575	1.654	1.187	1.754			

KAPR

84°



- SNMM
- SNMG
- SNMA, SNGA



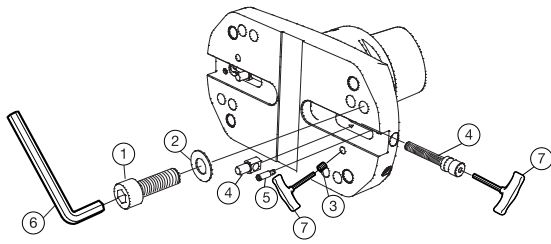
		Dimensions, mm, inch										
DMIN ₁	CZC _{MS}	Ordering code	LF	LPR	HF	WF	OAH	OAL	KG	CICT	MIID	
148.0	15	S12	S12-R820XLR40DSYN15	40.00	41.80	20.00	42.00	39.70	43.80	0.310	1	SNMG 15 06 08
5.827				1.575	1.646	.787	1.654	1.563	1.724			

For inserts, see Turning tools catalogue



Spare parts

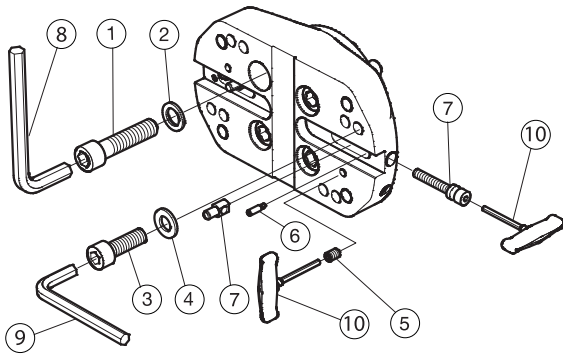
Coromant Capto® to CoroBore® XL tool body



Spare parts				
	1	2	3	4
Ordering code	Screw	Washer	Screw	Adjustment set
C6-R822XLS17-AJ058	3212 010-462	3411 013-105	3214 010-355	5519 091-01
C8-R822XLS17-AJ 070	3212 010-462	3411 013-105	3214 010-355	5519 091-01
C10-R822XLS17-AJ 076	3212 010-462	3411 013-105	3214 010-355	5519 091-01
C6-R822XLS17-AK058	3212 010-462	3411 013-105	3214 010-355	5519 091-01
C8-R822XLS17-AK 070	3212 010-462	3411 013-105	3214 010-355	5519 091-01
C10-R822XLS17-AK 076	3212 010-462	3411 013-105	3214 010-355	5519 091-01
C8-R822XLS17-AL 070	3212 010-462	3411 013-105	3214 010-355	5519 091-01
C10-R822XLS17-AL 076	3212 010-462	3411 013-105	3214 010-355	5519 091-01
C8-R822XLS17-AM070	3212 010-462	3411 013-105	3214 010-355	5519 091-01
C10-R822XLS17-AM076	3212 010-462	3411 013-105	3214 010-355	5519 091-01
Spare parts		Accessories		
	5	6	7	
Ordering code	Pin screw	Key	Key	
C6-R822XLS17-AJ058	3212 230-207	3021 010-080	265.2-817	
C8-R822XLS17-AJ 070	3212 230-207	3021 010-080	265.2-817	
C10-R822XLS17-AJ 076	3212 230-207	3021 010-080	265.2-817	
C6-R822XLS17-AK058	3212 230-207	3021 010-080	265.2-817	
C8-R822XLS17-AK 070	3212 230-207	3021 010-080	265.2-817	
C10-R822XLS17-AK 076	3212 230-207	3021 010-080	265.2-817	
C8-R822XLS17-AL 070	3212 230-207	3021 010-080	265.2-817	
C10-R822XLS17-AL 076	3212 230-207	3021 010-080	265.2-817	
C8-R822XLS17-AM070	3212 230-207	3021 010-080	265.2-817	
C10-R822XLS17-AM076	3212 230-207	3021 010-080	265.2-817	

Spare parts

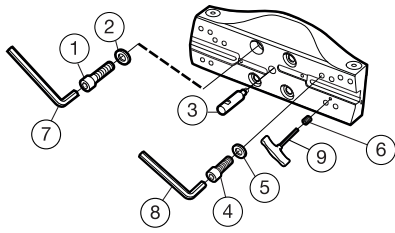
Arbor to CoroBore® XL tool body



Spare parts				
	1	2	3	4
Ordering code	Screw	Washer	Clamping screw	Washer
A40-R822XLS17-LJ 050	3212 010-516	3411 012-130	3212 010-462	3411 013-105
A40-R822XLS17-LK 050	3212 010-516	3411 012-130	3212 010-462	3411 013-105
A40-R822XLS17-LL 050	3212 010-516	3411 012-130	3212 010-462	3411 013-105
Spare parts				Accessories
	5	6	7	8
Ordering code	Coolant screw	Pin screw	Adjustment set	Key
A40-R822XLS17-LJ 050	3214 010-355	3212 230-207	5519 091-01	3021 010-100
A40-R822XLS17-LK 050	3214 010-355	3212 230-207	5519 091-01	3021 010-100
A40-R822XLS17-LL 050	3214 010-355	3212 230-207	5519 091-01	3021 010-100
Accessories				
	9	10		
Ordering code	Key	Key		
A40-R822XLS17-LJ 050	3021 010-080	265.2-817		
A40-R822XLS17-LK 050	3021 010-080	265.2-817		
A40-R822XLS17-LL 050	3021 010-080	265.2-817		

Spare parts

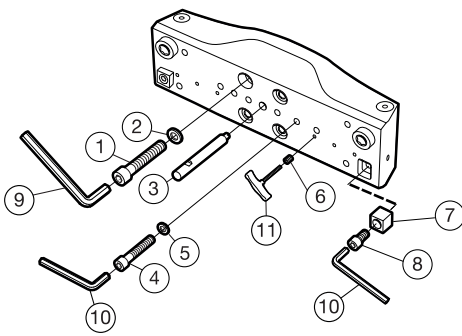
Arbor to CoroBore® XL bridge



Spare parts				
	1	2	3	4
Ordering code	Screw	Washer	Parallel pin set	Screw
A40-RXLS24-AM2 062	3212 010-569	3411 012-170	5552 047-01	3212 010-462
A40-RXLS24-AN2 067	3212 010-569	3411 012-170	5552 047-01	3212 010-462
A40-RXLS24-AO2 072	3212 010-569	3411 012-170	5552 047-01	3212 010-462
Spare parts			Accessories	
	5	6	7	8
Ordering code	Cup spring	Screw	Key	Key
A40-RXLS24-AM2 062	3846 010-069	3214 010-355	3021 010-140	3021 010-080
A40-RXLS24-AN2 067	3846 010-069	3214 010-355	3021 010-140	3021 010-080
A40-RXLS24-AO2 072	3846 010-069	3214 010-355	3021 010-140	3021 010-080
Accessories				
	9			
Ordering code	Key			
A40-RXLS24-AM2 062	265.2-817			
A40-RXLS24-AN2 067	265.2-817			
A40-RXLS24-AO2 072	265.2-817			

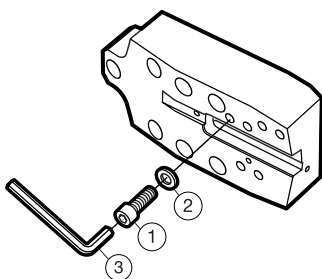
Spare parts

Arbor to CoroBore® XL bridge



Spare parts				
	1	2	3	4
Ordering code	Screw	Washer	Parallel pin set	Screw
A40-NXLA35-AP2 086	3212 010-572	3411 012-170	5552 047-02	3212 010-518
A40-NXLA35-AQ2 106	3212 010-572	3411 012-170	5552 047-02	3212 010-518
A40-NXLA35-AR2 106	3212 010-572	3411 012-170	5552 047-02	3212 010-518
Spare parts				
	5	6	7	8
Ordering code	Washer	Screw	Driving key	Screw
A40-NXLA35-AP2 086	3411 012-130	3214 010-406	3193 110-050	3212 010-511
A40-NXLA35-AQ2 106	3411 012-130	3214 010-406	3193 110-050	3212 010-511
A40-NXLA35-AR2 106	3411 012-130	3214 010-406	3193 110-050	3212 010-511
Accessories				
	9	10	11	
Ordering code	Key	Key	Key	
A40-NXLA35-AP2 086	3021 010-140	3021 010-100	265.2-821	
A40-NXLA35-AQ2 106	3021 010-140	3021 010-100	265.2-821	
A40-NXLA35-AR2 106	3021 010-140	3021 010-100	265.2-821	

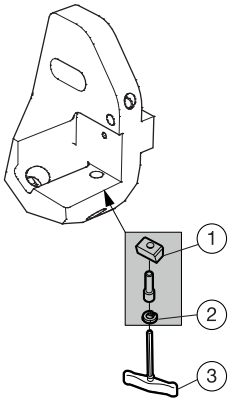
CoroBore® XL bridge extension



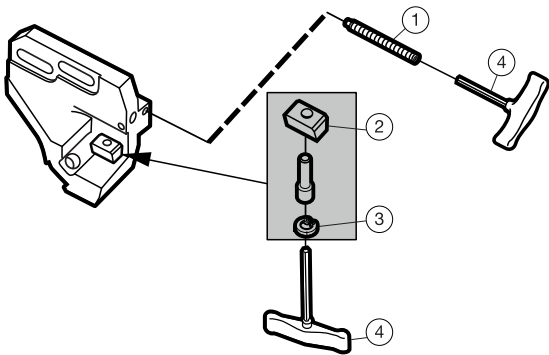
Spare parts		Accessories	
	1	2	3
Ordering code	Screw	Cup spring	Key
A35-RXLS24-A 060A	3212 010-462	3846 010-069	3021 010-080

Spare parts

Slide for CoroBore® XL



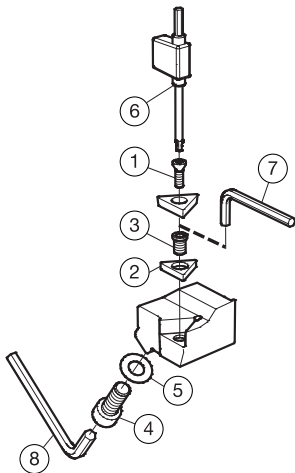
	Spare parts		Accessories
	1	2	3
Ordering code	Wedge set	Circlip	Key
S17-R820XLS12-012	5332 070-01	3421 110-009	265.2-817



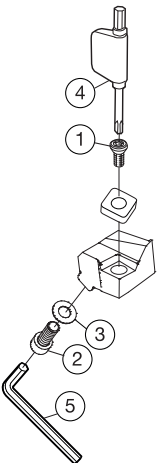
	Spare parts			Accessories
	1	2	3	4
Ordering code	Screw	Wedge set	Circlip	Key
S24-R820XLS12-012	3214 020-368	5332 070-01	3421 110-009	265.2-817

Spare parts

Cartridge for CoroBore® XL



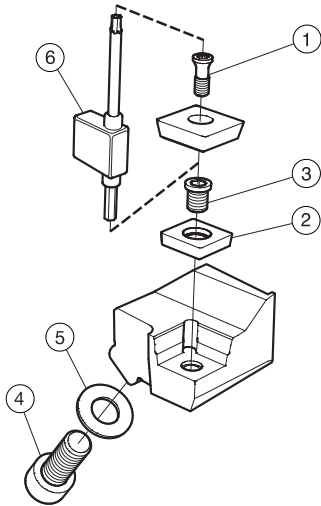
	Spare parts				
	1	2	3	4	
Ordering code	Insert screw	Shim	Shim screw	Screw	
S12-R820XLR40STFC22	5513 020-18	5322 320-02	5512 090-03	3212 010-461	
	Spare parts		Accessories		
	5	6	7	8	
Ordering code	Cup spring	Key	Key	Key	
S12-R820XLR40STFC22	3846 010-069	5680 049-02	5680 010-06	3021 010-080	



	Spare parts			Accessories	
	1	2	3	4	
Ordering code	Insert screw	Screw	Cup spring	Key	
S12-R820XLR40SSF18	416.1-834	3212 010-461	3846 010-069	5680 049-02	
	Accessories				
	5				
Ordering code	Key				
S12-R820XLR40SSF18	3021 010-080				

Spare parts

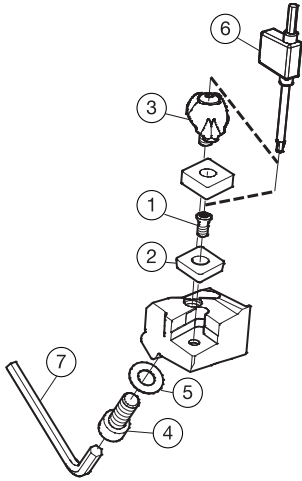
Cartridge for CoroBore® XL



	Spare parts				
	1	2	3	4	
Ordering code	Insert screw	Shim	Shim screw	Screw	
S12-R820XLR40SSYP12	5513 020-89	5322 427-01	5512 090-09	3212 010-461	
S12-R820XLR40SSYP18	416.1-834	5322 427-02	5512 090-11	3212 010-461	
	Spare parts		Accessories		
	5	6	7		
Ordering code	Cup spring	Key	Key		
S12-R820XLR40SSYP12	3846 010-069	5680 049-04	3021 010-080		
S12-R820XLR40SSYP18	3846 010-069	5680 049-02	3021 010-080		
	Spare parts				
	1	2	3	4	
Ordering code	Insert screw	Shim	Shim screw	Screw	
S12-R820XLR40SCFC12	5513 020-18	5322 232-02	5512 090-03	3212 010-461	
	Spare parts		Accessories		
	5	6	7	8	
Ordering code	Cup spring	Key	Key	Key	
S12-R820XLR40SCFC12	3846 010-069	5680 049-02	5680 010-04	3021 010-080	

Spare parts

Cartridge for CoroBore® XL



	Spare parts				
	1	2	3	4	
Ordering code	Shim screw	Shim	Clamp set	Screw	
S12-R820XLR40DCFN19	5513 020-07	5322 236-01	5412 028-041	3212 010-461	

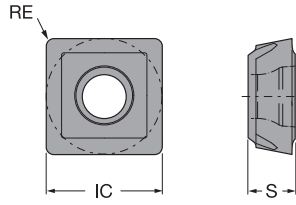
	Spare parts		Accessories		
	5	6	7		
Ordering code	Cup spring	Key	Key		
S12-R820XLR40DCFN19	3846 010-069	5680 043-14	3021 010-080		

	Spare parts				
	1	2	3	4	
Ordering code	Shim screw	Shim	Clamp set	Screw	
S12-R820XLR40DSYN15	5513 020-07	5322 425-03	5412 028-031	3212 010-461	

	Spare parts		Accessories		
	5	6	7		
Ordering code	Cup spring	Key	Key		
S12-R820XLR40DSYN15	3846 010-069	5680 043-14	3021 010-080		

CoroBore® 111 inserts for rough boring

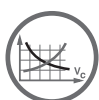
S-style insert (Square)



				ISO CODE	P	M	K	S	
					4325	2025	3210	1145	
Medium	BM	06	6.0	2.60	0.60	SPMT0606-BM	☆	☆	☆
			.236	.102	.024				
		08	8.9	3.00	0.80	SPMT0808-BM	☆	☆	☆
			.350	.118	.031				
		12	12.65	4.00	1.00	SPMT1210-BM	☆	☆	
			.498	.157	.039				
		18	18.6	5.50	1.00	SPMT1810-BM	☆	☆	
			.732	.217	.039				
Roughing	BR	06	6.0	2.60	0.60	SPMT0606-BR	☆	☆	
			.236	.102	.024				
		08	8.9	3.00	0.80	SPMT0808-BR	☆	☆	
			.350	.118	.031				
		12	12.65	4.00	1.20	SPMT1212-BR	☆	☆	
			.498	.157	.047				
		18	18.6	5.50	1.20	SPMT1812-BR	☆	☆	
			.732	.217	.047				



264



278



289

Fine boring

	Tool concept	Diameter range, mm (inch)	Hole tolerance	Cutting edge	Operation	Insert choice	Machine side interface	Page
<p>CoroBore® 824</p> 	Conventional	1-20 (.039-.787)	IT6	- Solid carbide bars - Indexable carbide bars	- Single edge boring	- CoroTurn® 107 - CoroTurn® XS	- Coromant Capto® - Coromant EH	106-108
<p>391.37A/B</p> 	Conventional	3-36 (.118-1.417)	IT6	- Solid carbide bars - Indexable carbide bars - Indexable steel bars	- Single edge boring	- CoroTurn® 107 - Solid bars with ground geometry	- Coromant Capto® - HSK	111-117
<p>CoroBore® 826 HP</p> 	Conventional	35-154	IT6	- Indexable cartridges	- Single edge boring	- CoroTurn® 107	- Coromant Capto®	122-126
<p>CoroBore® 825</p> 	Conventional	19-167 (.748-6.575)	IT6	- Indexable cartridges	- Single edge boring - Back boring	- CoroTurn® 107	- Coromant Capto® - Cylindrical shank - Coromant EH	139-142
	Lightweight	69-167 (2.717-6.575)	IT6	- Indexable cartridges	- Single edge boring - Back boring	- CoroTurn® 107	- Coromant Capto®	143
	Damped	19-167 (.748-6.575)	IT6	- Indexable cartridges	- Single edge boring - Back boring	- CoroTurn® 107	- Coromant Capto®	144
<p>CoroBore® 825 XL/ CoroBore® 826 XL</p> 	Conventional	148-315 (5.827-12.402) 298-1275 (11.732-50.197)	IT6	- Indexable cartridges	- Single edge boring - Back boring - External boring	- CoroTurn® 107	- Coromant Capto® - 40X with 4 bolt circle	-163 170-173
	Lightweight	148-315 (5.827-12.402)	IT6	- Indexable cartridges	- Single edge boring - Back boring - External boring	- CoroTurn® 107	- Coromant Capto® - 40S with 4 bolt circle	164-167
	Damped	148-315 (5.827-12.402)	IT6	- Indexable cartridges	- Single edge boring - Back boring - External boring	- CoroTurn® 107	- A33 damped adaptor	168-169

CoroBore® 824

Small-diameter fine boring

Application

- Fine boring
- Single edge boring

ISO application area



Benefits and features

- Broad diameter range, from 1-20 mm (.039-.787 inch)
- Increased accessibility with Coromant Capto and Coromant EH modular interfaces in small diameters
- Fine boring tool with precision diameter adjustment of 2 microns (nonius scale) to obtain tight tolerances of IT6
- CoroTurn® XS inserts to be used from diameter 1 mm (.039 inch)
- Solid carbide boring bars with standard CoroTurn® 107 indexable inserts available from diameter 6 mm (.236 inch)
- Better accessibility with small boring head diameters, making it possible to bore in hard to reach areas
- Rigid system for maximum stability with internal coolant supply



www.sandvik.coromant.com/corobore824

Tools

Couplings:

- Coromant Capto®
- Coromant EH

Inserts and cutting tools

Standard inserts with dedicated grades and geometries for all materials

- CoroTurn® XS
- CoroTurn® 107

DCON _{WS}	RPMX	ADJRG	
		mm	inch
4	28000	1	.039
6	20000	1	.039
8	14000	1	.039
10	10000	1.5	.059



- CoroTurn® XS for small diameter holes. For assortment, see Turning catalogue.



Adjusts diameter 0.002 mm (.000079 inch) with a nonius scale. A 360° turn change diameter by 0.5 mm (.020 inch).

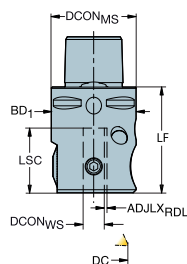
Coromant Capto® to CoroTurn® XS adaptor

CoroBore® 824 XS

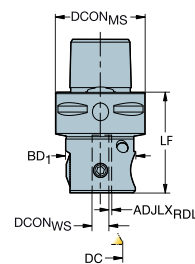
Internal coolant supply



DSGN 1



2

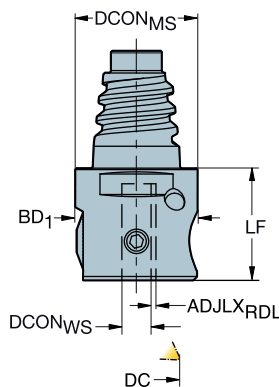


							Dimensions, mm, inch						
DCN	DCX	CZC _{MS}	CZC _{WS}	CNSC	DSGN	Ordering code	DCON _{MS}	DCON _{WS}	ADJLX _{RDL}	LF	BD ₁	BAR PSI	KG
1.00	6.00	C3	4	3	2	C3-R824XS04-021	32.00	4.00	1.00	36.00	25.00	20	0.213
.039	.236						1.260	.157	.039	1.417	.984	290	
6.00	10.00	C3	6	3	2	C3-R824XS06-016	32.00	6.00	1.00	36.00	25.00	20	0.210
.236	.394						1.260	.236	.039	1.417	.984	290	
10.00	14.00	C3	8	3	1	C3-R824XS08-015	32.00	8.00	1.00	40.00	32.00	20	0.269
.394	.551						1.260	.315	.039	1.575	1.260	290	
14.00	20.00	C4	10	3	1	C4-R824XS10-017	40.00	10.00	1.50	42.00	40.00	20	0.451
.551	.787						1.575	.394	.059	1.654	1.575	290	

Coromant EH to CoroTurn® XS adaptor

CoroBore® 824 XS

Internal coolant supply



							Dimensions, mm, inch						
DCN	DCX	CZC _{MS}	CZC _{WS}	CNSC	Ordering code	DCON _{MS}	DCON _{WS}	ADJLX _{RDL}	LF	BD ₁	BAR PSI	KG	
1.00	6.00	E25	4	1	EH25-R824XS04-008	24.20	4.00	1.00	23.00	25.00	20	0.174	
.039	.236					.953	.157	.039	.906	.984	290		
6.00	10.00	E25	6	1	EH25-R824XS06-003	24.20	6.00	1.00	23.00	25.00	20	0.172	
.236	.394					.953	.236	.039	.906	.984	290		
10.00	14.00	E25	8	1	EH25-R824XS08-013	24.20	8.00	1.00	38.00	32.00	20	0.285	
.394	.551					.953	.315	.039	1.496	1.260	290		
14.00	20.00	E25	10	1	EH25-R824XS10-013	24.20	10.00	1.50	38.00	40.00	20	0.368	
.551	.787					.953	.394	.059	1.496	1.575	290		

Note:

To be used with CoroTurn® XS boring bar for boring



289



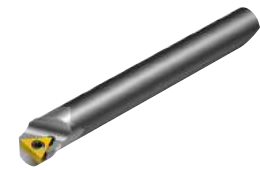
282




CoroTurn® XS boring bar for boring

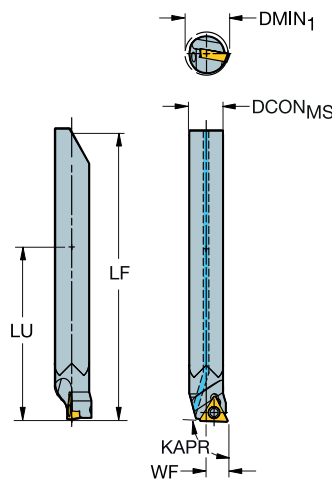
CXS connection - Internal coolant supply
Indexable solid carbide bar

KAPR

92°



-  TCMT, TCMX, TCGT, TCGX
-  TCEX
-  TCMW



					Dimensions, mm, inch								
DMIN ₁	IC	CZC _{MS}	CNSC	Ordering code	DCON _{MS}	LU	LF	WF	BAR PSI	KG	CICT	MIID	
6.0 .236	05 1/8	6	1	CXS-06-06 030TC05	6.00 .236	30.00 1.181	49.90 1.965	3.00 .118	20 290	0.028	1	TCEX 05 01 00L-F	
8.0 .315	05 1/8	6	1	CXS-06-08 030TC05	6.00 .236	30.00 1.181	49.90 1.965	4.00 .157	20 290	0.031	1	TCEX 05 01 00L-F	
10.0 .394	06 5/32	8	1	CXS-08-10 040TC06	8.00 .315	40.00 1.575	64.04 2.521	5.00 .197	20 290	0.050	1	TCMT 06 T1 02	
12.0 .472	06 5/32	8	1	CXS-08-12 040TC06	8.00 .315	40.00 1.575	64.04 2.521	6.00 .236	20 290	0.050	1	TCMT 06 T1 02	
14.0 .551	09 7/32	10	1	CXS-10-14 050TC09	10.00 .394	50.00 1.969	73.17 2.881	7.00 .276	20 290	0.099	1	TCMT 09 02 02	
17.0 .669	09 7/32	10	1	CXS-10-17 050TC09	10.00 .394	50.00 1.969	73.17 2.881	8.50 .335	20 290	0.106	1	TCMT 09 02 02	

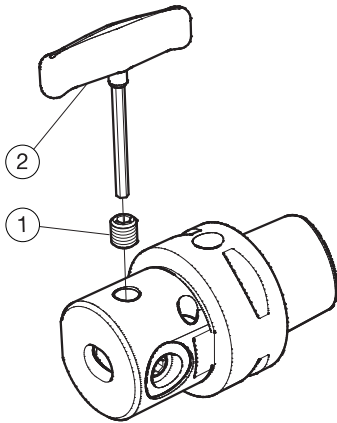
Recommended adaptors: CoroBore 824XS

For inserts, see Turning tools catalogue



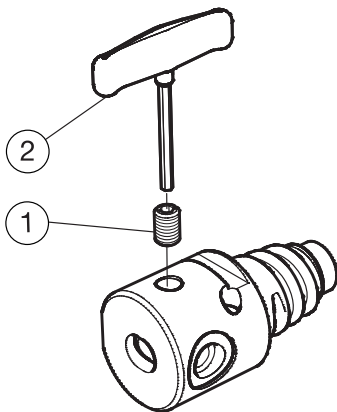
Spare parts

Coromant Capto® to CoroTurn® XS adaptor



	Spare parts	Accessories
	1	2
Ordering code	Clamping screw	Key
C3-R824XS04-021	5519 026-04	265.2-815
C3-R824XS06-016	5519 026-04	265.2-815
C3-R824XS08-015	5519 026-12	265.2-817
C4-R824XS10-017	437.5-822	265.2-817

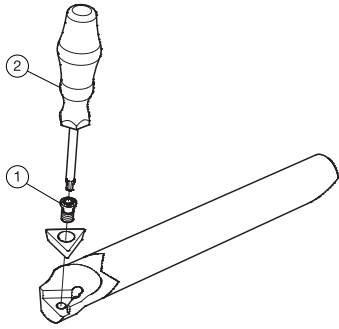
Coromant EH to CoroTurn® XS adaptor



	Spare parts	Accessories
	1	2
Ordering code	Clamping screw	Key
EH25-R824XS04-008	5519 026-04	265.2-815
EH25-R824XS06-003	5519 026-04	265.2-815
EH25-R824XS08-013	5519 026-12	265.2-817
EH25-R824XS10-013	437.5-822	265.2-817

Spare parts

CoroTurn® XS boring bar for boring



	Spare parts	Accessories	
	1	2	
Ordering code	Insert screw	Key	
CXS-06-06 030TC05	5513 020-53	5680 051-01	
CXS-06-08 030TC05	5513 020-53	5680 051-01	
CXS-08-10 040TC06	5513 020-44	5680 051-01	
CXS-08-12 040TC06	5513 020-44	5680 051-01	
CXS-10-14 050TC09	5513 020-47	5680 051-02	
CXS-10-17 050TC09	5513 020-47	5680 051-02	

391.37A/B Fine boring head

Small diameter boring and face grooving

Application

- Fine boring
- Face grooving

Benefits and features

- Boring bars with increased performance to its length/diameter ratio
- Flexible solutions for a broad diameter range, 3-36 mm (.118-1.417 inch)
- Excellent for small o-ring grooves
- 391.37B High speed fine boring head with rotation speed on 20 000 rev/min
- Choose between conventional (.37A and high speed (.37B) fine boring head:
- Internal coolant supply
- Diameter adjustment: 0.002 mm (.000079 inch)



Tools

Couplings:

- Coromant Capto®
- Coromant EH

Inserts

Standard inserts with dedicated grades and geometries for all materials

- CoroTurn® XS
- CoroTurn® 107
- CoroCut® MB - 09FA

391.37A/B Fine boring head

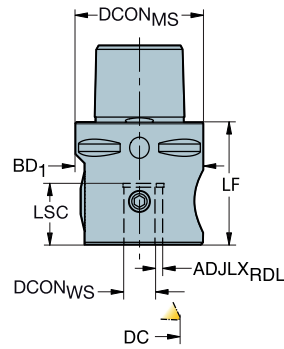
DCON _{WS}	Max. rotation speed: RPMX	Diameter range ADJRG	
		mm	inch
12	7000	3	.118
16	5000	3	.118
20	3500	5	.118



Adjusts diameter 0.002 mm (.000079 inch) with a nonius scale. A 360° turn change diameter by 0.5 mm (.020 inch).

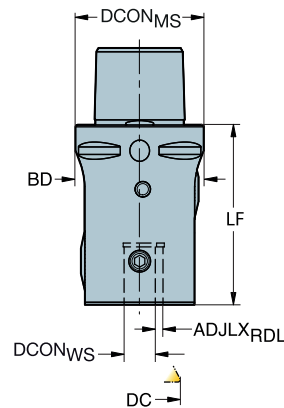
Coromant Capto® to fine boring head adaptor

Internal coolant supply



391.37A adaptor

					Dimensions, mm, inch							
DCN	DCX	CZC _{MS}	CZC _{WS}	CNSC	Ordering code	DCON _{MS}	DCON _{WS}	ADJLX _{RDL}	LF	BD ₁	BAR PSI	KG
3.00	26.00	C4	12	3	C4-391.37A-12 055B	40.00	12.00	3.00	55.00	50.00	20	0.714
.118	1.024					1.575	.472	.118	2.165	1.969	290	
3.00	26.00	C5	12	3	C5-391.37A-12 048B	50.00	12.00	3.00	48.00	48.00	20	0.799
.118	1.024					1.969	.472	.118	1.890	1.890	290	
3.00	32.00	C5	16	3	C5-391.37A-16 070A	50.00	16.00	3.00	70.00	63.00	20	1.450
.118	1.260					1.969	.630	.118	2.756	2.480	290	
3.00	32.00	C6	16	3	C6-391.37A-16 075A	63.00	16.00	3.00	75.00	63.00	20	1.896
.118	1.260					2.480	.630	.118	2.953	2.480	290	
17.00	36.00	C5	20	3	C5-391.37A-20 085A	50.00	20.00	5.00	85.00	80.00	20	1.616
.669	1.417					1.969	.787	.197	3.346	3.150	290	
17.00	36.00	C6	20	3	C6-391.37A-20 085A	63.00	20.00	5.00	85.00	80.00	20	2.886
.669	1.417					2.480	.787	.197	3.346	3.150	290	



391.37B head with adjustable counterweight

					Dimensions, mm, inch							
DCN	DCX	CZC _{MS}	CZC _{WS}	CNSC	Ordering code	DCON _{MS}	DCON _{WS}	ADJLX _{RDL}	LF	BD ₁	BAR PSI	KG
3.00	26.00	C5	12	3	C5-391.37B-12 070B	50.00	12.00	3.00	70.00	50.00	20	1.090
.118	1.024					1.969	.472	.118	2.756	1.969	290	

To be used with R429U/R429.90 boring bars



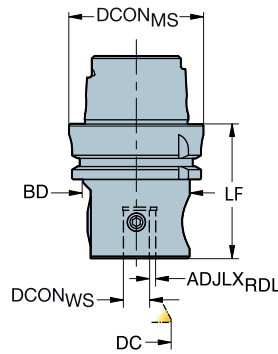
289



282

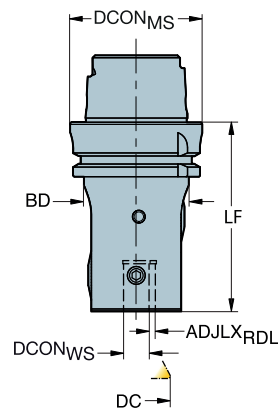
HSK to fine boring head adaptor

Internal coolant supply



391.37A adaptor

						Dimensions, mm, inch							
DCN	DCX	CZC _{MS}	CZC _{WS}	CNSC	Ordering code	DCON	DCON _{WS}	ISO	ADJLX _{RDL}	LF	BD ₁	BAR PSI	KG
3.00	26.00	63	12	1	392.41037A-6312063B	63.00	12.00	A	3.00	63.00	50.00	20	1.181
.118	1.024					2.480	.472		.118	2.480	1.969	290	
3.00	26.00	100	12	1	392.41037A-10012076B	100.00	12.00	A	3.00	76.00	50.00	20	2.700
.118	1.024					3.937	.472		.118	2.992	1.969	290	
3.00	32.00	63	16	1	392.41037A-6316085A	63.00	16.00	A	3.00	85.00	63.00	20	1.770
.118	1.260					2.480	.630		.118	3.346	2.480	290	
17.00	36.00	63	20	1	392.41037A-63 20 100A	63.00	20.00	A	5.00	100.00	80.00	20	2.788
.669	1.417					2.480	.787		.197	3.937	3.150	290	



391.37B head with adjustable counterweight

						Dimensions, mm, inch							
DCN	DCX	CZC _{MS}	CZC _{WS}	CNSC	Ordering code	DCON _{MS}	DCON _{WS}	ISO	ADJLX _{RDL}	LF	BD ₁	BAR PSI	KG
3.00	26.00	63	12	1	392.41037B-6312090B	63.00	12.00	A	3.00	90.00	50.00	20	1.502
.118	1.024					2.480	.472		.118	3.543	1.969	290	

To be used with R429U/R429.90 boring bars



Boring bar with indexable insert for fine boring heads

Cylindrical shank - Internal coolant supply

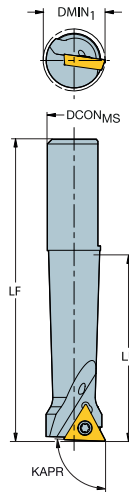
Steel bar



- TCMT, TCMX, TCGT, TCGX
- TCEX
- TCMW

KAPR

92°



					Dimensions, mm, inch									
DMIN ₁	IC	CZC _{MS}	CNSC	Ordering code	DCON _{MS}	LU	LF	WF	BAR PSI	KG	CICT	MIID		
8.0	06	5/32	12	R429U-A12-08028TC06	12.00	28.00	54.00	4.00	20	0.036	1	TCMT 06 T1 02		
.315					.472	1.102	2.126	.157	290					
8.0	06	5/32	12	R429U-A12-08040TC06	12.00	40.00	66.00	4.00	20	0.040	1	TCMT 06 T1 02		
.315					.472	1.575	2.598	.157	290					
11.0	06	5/32	12	R429U-A12-11039TC06	12.00	39.00	65.00	5.50	20	0.048	1	TCMT 06 T1 02		
.433					.472	1.535	2.559	.217	290					
11.0	06	5/32	12	R429U-A12-11055TC06	12.00	55.00	81.00	5.50	20	0.053	1	TCMT 06 T1 02		
.433					.472	2.165	3.189	.217	290					
14.0	09	7/32	12	R429U-A12-14042TC09	12.00	42.00	68.00	7.00	20	0.060	1	TCMT 09 02 02		
.551					.472	1.654	2.677	.276	290					
14.0	09	7/32	12	R429U-A12-14060TC09	12.00	60.00	86.00	7.00	20	0.070	1	TCMT 09 02 02		
.551					.472	2.362	3.386	.276	290					
17.0	09	7/32	12	R429U-A12-17042TC09	12.00	42.00	68.00	8.50	20	0.060	1	TCMT 09 02 02		
.669					.472	1.654	2.677	.335	290					
17.0	09	7/32	12	R429U-A12-17060TC09	12.00	60.00	86.00	8.50	20	0.071	1	TCMT 09 02 02		
.669					.472	2.362	3.386	.335	290					
20.0	09	7/32	12	R429U-A12-20042TC09	12.00	42.00	68.00	10.00	20	0.063	1	TCMT 09 02 02		
.787					.472	1.654	2.677	.394	290					
20.0	09	7/32	12	R429U-A12-20060TC09	12.00	60.00	86.00	10.00	20	0.072	1	TCMT 09 02 02		
.787					.472	2.362	3.386	.394	290					
8.0	06	5/32	16	R429U-A16-08028 TC06A	16.00	28.00	89.00	4.00	20	0.114	1	TCMT 06 T1 02		
.315					.630	1.102	3.504	.157	290					
8.0	06	5/32	16	R429U-A16-08040TC06	16.00	40.00	101.00	4.00	20	0.103	1	TCMT 06 T1 02		
.315					.630	1.575	3.976	.157	290					
11.0	06	5/32	16	R429U-A16-11039 TC06A	16.00	39.00	100.00	5.50	20	0.124	1	TCMT 06 T1 02		
.433					.630	1.535	3.937	.217	290					
11.0	06	5/32	16	R429U-A16-11055TC06	16.00	55.00	116.00	5.50	20	0.120	1	TCMT 06 T1 02		
.433					.630	2.165	4.567	.217	290					
14.0	09	7/32	16	R429U-A16-14049 TC09A	16.00	49.00	110.00	1.50	20	0.148	1	TCMT 09 02 02		
.551					.630	1.929	4.331	.059	290					
14.0	09	7/32	16	R429U-A16-14070TC09	16.00	70.00	131.00	7.00	20	0.156	1	TCMT 09 02 02		
.551					.630	2.756	5.157	.276	290					
17.0	09	7/32	16	R429U-A16-17056 TC09A	16.00	56.00	117.00	8.50	20	0.165	1	TCMT 09 02 02		
.669					.630	2.205	4.606	.335	290					
17.0	09	7/32	16	R429U-A16-17080TC09	16.00	80.00	141.00	8.50	20	0.193	1	TCMT 09 02 02		
.669					.630	3.150	5.551	.335	290					

Recommended adaptors:

A12: 391.37A/B

A16, A20: 391.37A

For inserts, see Turning tools catalogue



Boring bar with indexable insert for fine boring heads

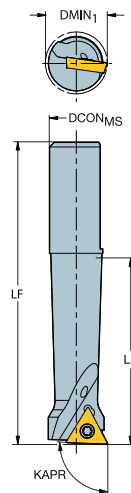
Cylindrical shank - Internal coolant supply
Steel bar



- TCMT, TCMX, TCGT, TCGX
- TCEX
- TCMW

KAPR

92°



		Dimensions, mm, inch											
DMIN ₁	IC	CZC _{MS}	CNSC	Ordering code	DCON _{MS}	LU	LF	WF	BAR PSI	KG	CICT	MIID	
20.0 .787	09	7/32	16	1 R429U-A16-20056 TC09A	16.00 .630	56.00 2.205	117.00 4.606	10.00 .394	20	0.170	1	TCMT 09 02 02	
20.0 .787	09	7/32	16	1 R429U-A16-20080TC09	16.00 .630	80.00 3.150	141.00 5.551	10.00 .394	20	0.195	1	TCMT 09 02 02	
23.0 .906	09	7/32	16	1 R429U-A16-23056 TC09A	16.00 .630	56.00 2.205	117.00 4.606	11.50 .453	20	0.160	1	TCMT 09 02 02	
23.0 .906	09	7/32	16	1 R429U-A16-23080TC09	16.00 .630	80.00 3.150	141.00 5.551	11.50 .453	20	0.192	1	TCMT 09 02 02	
26.0 1.024	09	7/32	16	1 R429U-A16-26056 TC09A	16.00 .630	56.00 2.205	117.00 4.606	13.00 .512	20	0.160	1	TCMT 09 02 02	
26.0 1.024	09	7/32	16	1 R429U-A16-26080TC09	16.00 .630	80.00 3.150	141.00 5.551	13.00 .512	20	0.194	1	TCMT 09 02 02	
17.0 .669	09	7/32	20	1 R429U-A20-17060 TC09A	20.00 .787	60.00 2.362	134.00 5.276	8.50 .335	20	0.260	1	TCMT 09 02 02	
20.0 .787	09	7/32	20	1 R429U-A20-20070 TC09A	20.00 .787	70.00 2.756	144.00 5.669	10.00 .394	20	0.270	1	TCMT 09 02 02	
23.0 .906	09	7/32	20	1 R429U-A20-23070 TC09A	20.00 .787	70.00 2.756	144.00 5.669	11.50 .453	20	0.290	1	TCMT 09 02 02	
26.0 1.024	09	7/32	20	1 R429U-A20-26070 TC09A	20.00 .787	70.00 2.756	144.00 5.669	13.00 .512	20	0.290	1	TCMT 09 02 02	

Recommended adaptors:

A12: 391.37A/B

A16, A20: 391.37A

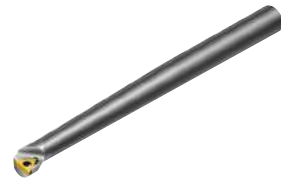
For inserts, see Turning tools catalogue



Boring bar with indexable insert for fine boring heads

Cylindrical shank - Internal coolant supply

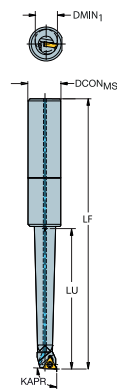
Carbide bar with brazed steel head



- TCMT, TCMX, TCGT, TCGX
- TCEX
- TCMW

KAPR

92°



		Dimensions, mm, inch											
DMIN ₁	IC	CZC _{MS}	CNSC	Ordering code	DCON _{MS}	LU	LF	WF	BAR PSI	KG	CICT	MIID	
8.0	06	5/32	16	1	R429U-E16-08048TC06	16.00	48.00	109.00	4.00	20	0.130	1	TCMT 06 T1 02
.315						.630	1.890	4.291	.157	290			
11.0	06	5/32	16	1	R429U-E16-11066TC06	16.00	66.00	127.00	5.50	20	0.170	1	TCMT 06 T1 02
.433						.630	2.598	5.000	.217	290			
14.0	09	7/32	16	1	R429U-E16-14084TC09	16.00	84.00	145.00	7.00	20	0.275	1	TCMT 09 02 02
.551						.630	3.307	5.709	.276	290			
17.0	09	7/32	16	1	R429U-E16-17096TC09	16.00	96.00	157.00	8.50	20	0.391	1	TCMT 09 02 02
.669						.630	3.780	6.181	.335	290			
20.0	09	7/32	16	1	R429U-E16-20096TC09	16.00	96.00	157.00	10.00	20	0.394	1	TCMT 09 02 02
.787						.630	3.780	6.181	.394	290			
23.0	09	7/32	16	1	R429U-E16-23096TC09	16.00	96.00	157.00	11.50	20	0.395	1	TCMT 09 02 02
.906						.630	3.780	6.181	.453	290			
26.0	09	7/32	16	1	R429U-E16-26096TC09	16.00	96.00	157.00	13.00	20	0.395	1	TCMT 09 02 02
1.024						.630	3.780	6.181	.512	290			

For inserts, see Turning tools catalogue

Recommended adaptors:

A12: A391.37A/B

A16: A391.37A



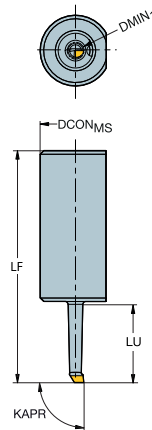
Solid boring bar for fine boring head

ENG



KAPR

90°



			Dimensions, mm, inch							
DMIN ₁	CZC _{MS}	CNSC	Ordering code	DCON _{MS}	LU	LF	WF	(BAR PSI)	(KG)	
3.0	16	1	R429U-E16-0301501A	16.00	15.00	76.00	1.50	70	0.102	
.118				.630	.591	2.992	.059	1015		
5.0	16	1	R429U-E16-0502502A	16.00	25.00	86.00	2.50	70	0.100	
.197				.630	.984	3.386	.098	1015		

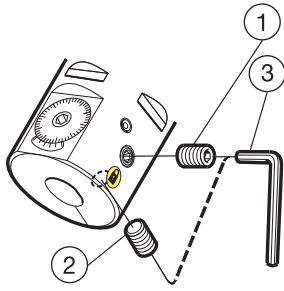
			P	M	K	N	S	Dimensions, mm, inch							
DMIN ₁	CZC _{MS}	CNSC	Ordering code	H10F	H10F	H10F	H10F	H10F	DCON _{MS}	LU	LF	WF	(BAR PSI)	(KG)	
3.0	12	1	R429.90-03-013-01-CB	*	*	*	*	*	12.00	13.50	40.00	1.50	70	0.039	
.118									.472	.531	1.575	.059	1015		
5.0	12	1	R429.90-05-021-02-CB	*	*	*	*	*	12.00	21.00	48.00	2.50	70	0.042	
.197									.472	.827	1.890	.098	1015		

Recommended adaptors:
 A12: A391.37A/B
 A16: A391.37A



Spare parts

Coromant Capto® to fine boring head adaptor

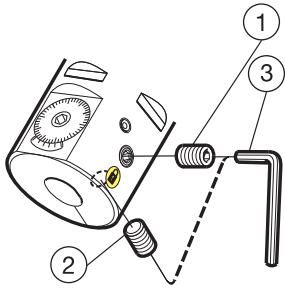


	Spare parts		Accessories
	1	2	3
Ordering code	Locking screw	Screw for bar	Key
C4-391.37A-12 055B	5519 026-10	3214 010-407	265.2-821
C5-391.37A-12 048B	5519 026-10	3214 010-407	265.2-821
C5-391.37A-16 070A	470-872	3214 010-408	265.2-821
C6-391.37A-16 075A	470-872	3214 010-408	265.2-821
C5-391.37A-20 085A	5519 026-07	3214 010-458	5680 017-04
C6-391.37A-20 085A	5519 026-07	3214 010-458	5680 017-04

	Spare parts		Accessories
	1	2	3
Ordering code	Locking screw	Screw for bar	Key
C5-391.37B-12 070B	5519 026-10	3214 010-407	265.2-821

Spare parts

HSK to fine boring head adaptor



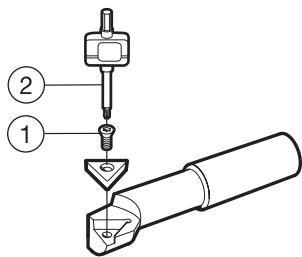
	Spare parts		Accessories
	1	2	3
Ordering code	Locking screw	Screw for bar	Key
392.41037A-6312063B	5519 026-10	3214 010-407	265.2-821
392.41037A-10012076B	5519 026-10	3214 010-407	265.2-821
392.41037A-6316085A	5519 026-06	3214 010-408	265.2-821
392.41037A-63 20 100A	5519 026-07	3214 010-458	5680 017-04

	Spare parts		Accessories
	1	2	3
Ordering code	Locking screw	Screw for bar	Key
392.41037B-6312090B	5519 026-10	3214 010-407	265.2-821

Spare parts

Boring bar with indexable insert for fine boring heads

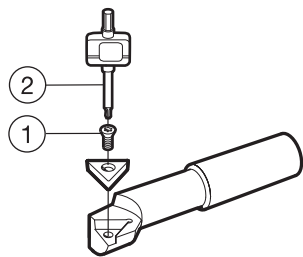
Steel bar



	Spare parts	Accessories
	1	2
Ordering code	Screw	Key
R429U-A12-08028TC06	5513 020-44	5680 051-01
R429U-A12-08040TC06	5513 020-44	5680 051-01
R429U-A12-11039TC06	5513 020-44	5680 051-01
R429U-A12-11055TC06	5513 020-44	5680 051-01
R429U-A12-14042TC09	5513 020-05	5680 051-02
R429U-A12-14060TC09	5513 020-05	5680 051-02
R429U-A12-17042TC09	5513 020-05	5680 051-02
R429U-A12-17060TC09	5513 020-05	5680 051-02
R429U-A12-20042TC09	5513 020-05	5680 051-02
R429U-A12-20060TC09	5513 020-05	5680 051-02
R429U-A16-08028 TC06A	5513 020-44	5680 051-01
R429U-A16-08040TC06	5513 020-44	5680 051-01
R429U-A16-11039 TC06A	5513 020-44	5680 051-01
R429U-A16-11055TC06	5513 020-44	5680 051-01
R429U-A16-14049 TC09A	5513 020-05	5680 046-03
R429U-A16-14070TC09	5513 020-05	5680 051-02
R429U-A16-17056 TC09A	5513 020-05	5680 046-03
R429U-A16-17080TC09	5513 020-05	5680 051-02
R429U-A16-20056 TC09A	5513 020-05	5680 046-03
R429U-A16-20080TC09	5513 020-05	5680 051-02
R429U-A16-23056 TC09A	5513 020-05	5680 046-03
R429U-A16-23080TC09	5513 020-05	5680 051-02
R429U-A16-26056 TC09A	5513 020-05	5680 046-03
R429U-A16-26080TC09	5513 020-05	5680 051-02
R429U-A20-17060 TC09A	5513 020-05	5680 046-03
R429U-A20-20070 TC09A	5513 020-05	5680 046-03
R429U-A20-23070 TC09A	5513 020-05	5680 046-03
R429U-A20-26070 TC09A	5513 020-05	5680 046-03

Spare parts

Boring bar with indexable insert for fine boring heads
Carbide bar with brazed steel head



	Spare parts	Accessories	
	1	2	
Ordering code	Screw	Key	
R429U-E16-08048TC06	5513 020-44	5680 051-01	
R429U-E16-11066TC06	5513 020-44	5680 051-01	
R429U-E16-14084TC09	5513 020-05	5680 051-02	
R429U-E16-17096TC09	5513 020-05	5680 051-02	
R429U-E16-20096TC09	5513 020-05	5680 051-02	
R429U-E16-23096TC09	5513 020-05	5680 051-02	
R429U-E16-26096TC09	5513 020-05	5680 051-02	

CoroBore® 826

Fine boring tool for high precision boring

Application

- High precision fine boring

ISO application area



Benefits and features

- High precision coolant directed at the cutting edge for excellent chip control up to 80 bars
- Coolant through the tool and cartridge
- Stepwise click function for easy tool setting
- Reliable system with rigid interfaces between head and cartridge for stable and vibration-free boring
- Close hole tolerances up to IT5
- CoroBore® 826 high precision adjusts the cutting edge with a resolution of 2 micrometer on diameter



www.sandvik.coromant.com/corobore826

Tools

Couplings:

- Coromant Capto®

Inserts

Standard inserts with dedicated grades and geometries for all materials

- CoroTurn® 107



Each click adjusts diameter 0.002 mm (.000079 inch). A 360° turn change diameter by 0.1 mm (.004 inch). Total diameter change on fine boring head 1.3 mm (.051 inch).



High precision coolant nozzle for precise coolant flow to cutting edge



Extend diameter range by using cartridge kits! See page

CoroBore® 826 fine boring tool

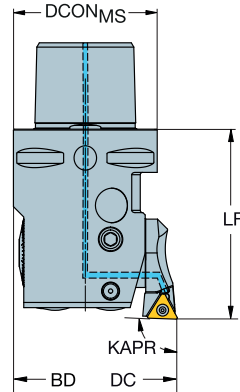
Coromant Capto® - Precision coolant supply

KAPR

92°



- TCMT, TCMX, TCGT, TCGX
- TCEX
- TCMW



												Dimensions, mm, inch			
DCN	DCX			CZC _{MS}	CNSC	Ordering code	DCON _{MS}	ADJL _{FDL}	LF	BD ₁			CICT	MID	
35.45	36.55	09	7/32	C3	3	826-36TC09-C3HP	32.00	0.55	48.00	32.00	70	0.566	1	TCMT 09 02 04	
1.396	1.439						1.260	.022	1.890	1.260	1015				
36.45	37.55	09	7/32	C3	3	826-37TC09-C3HP	32.00	0.55	48.00	32.00	70	0.565	1	TCMT 09 02 04	
1.435	1.478						1.260	.022	1.890	1.260	1015				
37.45	38.55	09	7/32	C3	3	826-38TC09-C3HP	32.00	0.55	48.00	32.00	70	0.631	1	TCMT 09 02 04	
1.474	1.518						1.260	.022	1.890	1.260	1015				
38.45	39.55	09	7/32	C3	3	826-39TC09-C3HP	32.00	0.55	48.00	32.00	70	0.640	1	TCMT 09 02 04	
1.514	1.557						1.260	.022	1.890	1.260	1015				
39.45	40.55	09	7/32	C3	3	826-40TC09-C3HP	32.00	0.55	48.00	32.00	70	0.647	1	TCMT 09 02 04	
1.553	1.596						1.260	.022	1.890	1.260	1015				
40.45	41.55	09	7/32	C3	3	826-41TC09-C3HP	32.00	0.55	48.00	32.00	70	0.290	1	TCMT 09 02 04	
1.593	1.636						1.260	.022	1.890	1.260	1015				
41.45	42.55	09	7/32	C3	3	826-42TC09-C3HP	32.00	0.55	48.00	32.00	70	0.290	1	TCMT 09 02 04	
1.632	1.675						1.260	.022	1.890	1.260	1015				
42.45	43.55	09	7/32	C3	3	826-43TC09-C3HP	32.00	0.55	48.00	32.00	70	0.290	1	TCMT 09 02 04	
1.671	1.715						1.260	.022	1.890	1.260	1015				
43.45	44.55	09	7/32	C3	3	826-44TC09-C3HP	32.00	0.55	48.00	32.00	70	0.290	1	TCMT 09 02 04	
1.711	1.754						1.260	.022	1.890	1.260	1015				
44.45	45.55	09	7/32	C4	3	826-45TC09-C4HP	40.00	0.55	56.00	40.00	70	0.591	1	TCMT 09 02 04	
1.750	1.793						1.575	.022	2.205	1.575	1015				
45.45	46.55	09	7/32	C4	3	826-46TC09-C4HP	40.00	0.55	56.00	40.00	70	0.570	1	TCMT 09 02 04	
1.789	1.833						1.575	.022	2.205	1.575	1015				
46.45	47.55	09	7/32	C4	3	826-47TC09-C4HP	40.00	0.55	56.00	40.00	70	1.104	1	TCMT 09 02 04	
1.829	1.872						1.575	.022	2.205	1.575	1015				
47.45	48.55	09	7/32	C4	3	826-48TC09-C4HP	40.00	0.55	56.00	40.00	70	0.570	1	TCMT 09 02 04	
1.868	1.911						1.575	.022	2.205	1.575	1015				
48.45	49.55	09	7/32	C4	3	826-49TC09-C4HP	40.00	0.55	56.00	40.00	70	0.570	1	TCMT 09 02 04	
1.907	1.951						1.575	.022	2.205	1.575	1015				
49.45	50.55	09	7/32	C4	3	826-50TC09-C4HP	40.00	0.55	56.00	40.00	70	0.918	1	TCMT 09 02 04	
1.947	1.990						1.575	.022	2.205	1.575	1015				
50.45	51.55	09	7/32	C4	3	826-51TC09-C4HP	40.00	0.55	56.00	40.00	70	0.570	1	TCMT 09 02 04	
1.986	2.030						1.575	.022	2.205	1.575	1015				
51.45	52.55	09	7/32	C4	3	826-52TC09-C4HP	40.00	0.55	56.00	40.00	70	0.940	1	TCMT 09 02 04	
2.026	2.069						1.575	.022	2.205	1.575	1015				
52.45	53.55	09	7/32	C4	3	826-53TC09-C4HP	40.00	0.55	56.00	40.00	70	0.570	1	TCMT 09 02 04	
2.065	2.108						1.575	.022	2.205	1.575	1015				
53.45	54.55	09	7/32	C4	3	826-54TC09-C4HP	40.00	0.55	56.00	40.00	70	0.570	1	TCMT 09 02 04	
2.104	2.148						1.575	.022	2.205	1.575	1015				
54.45	55.55	09	7/32	C4	3	826-55TC09-C4HP	40.00	0.55	56.00	40.00	70	0.570	1	TCMT 09 02 04	
2.144	2.187						1.575	.022	2.205	1.575	1015				
55.35	56.65	11	1/4	C5	3	826-56TC11-C5HP	50.00	0.65	66.00	50.00	70	1.397	1	TCMT 11 03 04	
2.179	2.230						1.969	.026	2.598	1.969	1015				
56.35	57.65	11	1/4	C5	3	826-57TC11-C5HP	50.00	0.65	66.00	50.00	70	1.455	1	TCMT 11 03 04	
2.219	2.270						1.969	.026	2.598	1.969	1015				

For inserts, see Turning tools catalogue



263



289



282



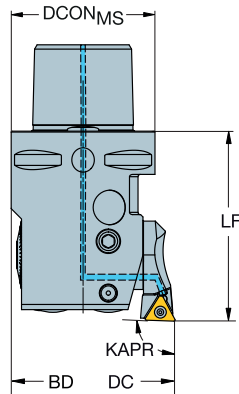
272

CoroBore® 826 fine boring tool

Coromant Capto® - Precision coolant supply

KAPR

92°



- TCMT, TCMX, TCGT, TCGX
- TCEX
- TCMW

								Dimensions, mm, inch						
DCN	DCX			CZC _{MS}	CNSC	Ordering code	DCON _{MS}	ADJLX _{RDL}	LF	BD ₁			CICT	MIID
57.35	58.65	11	1/4	C5	3	826-58TC11-C5HP	50.00	0.65	66.00	50.00	70	1.414	1	TCMT 11 03 04
2.258	2.309						1.969	.026	2.598	1.969	1015			
58.35	59.65	11	1/4	C5	3	826-59TC11-C5HP	50.00	0.65	66.00	50.00	70	1.070	1	TCMT 11 03 04
2.297	2.348						1.969	.026	2.598	1.969	1015			
59.35	60.65	11	1/4	C5	3	826-60TC11-C5HP	50.00	0.65	66.00	50.00	70	1.466	1	TCMT 11 03 04
2.337	2.388						1.969	.026	2.598	1.969	1015			
60.35	61.65	11	1/4	C5	3	826-61TC11-C5HP	50.00	0.65	66.00	50.00	70	1.070	1	TCMT 11 03 04
2.376	2.427						1.969	.026	2.598	1.969	1015			
61.35	62.65	11	1/4	C5	3	826-62TC11-C5HP	50.00	0.65	66.00	50.00	70	1.070	1	TCMT 11 03 04
2.415	2.467						1.969	.026	2.598	1.969	1015			
62.35	63.65	11	1/4	C5	3	826-63TC11-C5HP	50.00	0.65	66.00	50.00	70	1.426	1	TCMT 11 03 04
2.455	2.506						1.969	.026	2.598	1.969	1015			
63.35	64.65	11	1/4	C5	3	826-64TC11-C5HP	50.00	0.65	66.00	50.00	70	1.503	1	TCMT 11 03 04
2.494	2.545						1.969	.026	2.598	1.969	1015			
64.35	65.65	11	1/4	C5	3	826-65TC11-C5HP	50.00	0.65	66.00	50.00	70	1.520	1	TCMT 11 03 04
2.533	2.585						1.969	.026	2.598	1.969	1015			
65.35	66.65	11	1/4	C5	3	826-66TC11-C5HP	50.00	0.65	66.00	50.00	70	1.070	1	TCMT 11 03 04
2.573	2.624						1.969	.026	2.598	1.969	1015			
66.35	67.65	11	1/4	C5	3	826-67TC11-C5HP	50.00	0.65	66.00	50.00	70	1.070	1	TCMT 11 03 04
2.612	2.663						1.969	.026	2.598	1.969	1015			
67.35	68.65	11	1/4	C5	3	826-68TC11-C5HP	50.00	0.65	66.00	50.00	70	1.070	1	TCMT 11 03 04
2.652	2.703						1.969	.026	2.598	1.969	1015			
68.35	69.65	11	1/4	C5	3	826-69TC11-C5HP	50.00	0.65	66.00	50.00	70	1.070	1	TCMT 11 03 04
2.691	2.742						1.969	.026	2.598	1.969	1015			
69.35	70.65	11	1/4	C5	3	826-70TC11-C5HP	50.00	0.65	66.00	50.00	70	1.455	1	TCMT 11 03 04
2.730	2.782						1.969	.026	2.598	1.969	1015			
70.35	71.65	11	1/4	C5	3	826-71TC11-C5HP	50.00	0.65	66.00	50.00	70	1.070	1	TCMT 11 03 04
2.770	2.821						1.969	.026	2.598	1.969	1015			
71.35	72.65	11	1/4	C5	3	826-72TC11-C5HP	50.00	0.65	66.00	50.00	70	1.070	1	TCMT 11 03 04
2.809	2.860						1.969	.026	2.598	1.969	1015			
72.35	73.65	11	1/4	C5	3	826-73TC11-C5HP	50.00	0.65	66.00	50.00	70	1.557	1	TCMT 11 03 04
2.848	2.900						1.969	.026	2.598	1.969	1015			
73.35	74.65	11	1/4	C6	3	826-74TC11-C6HP	63.00	0.65	78.00	63.00	70	1.940	1	TCMT 11 03 04
2.888	2.939						2.480	.026	3.071	2.480	1015			
74.35	75.65	11	1/4	C6	3	826-75TC11-C6HP	63.00	0.65	78.00	63.00	70	1.940	1	TCMT 11 03 04
2.927	2.978						2.480	.026	3.071	2.480	1015			
75.35	76.65	11	1/4	C6	3	826-76TC11-C6HP	63.00	0.65	78.00	63.00	70	2.400	1	TCMT 11 03 04
2.967	3.018						2.480	.026	3.071	2.480	1015			
76.35	77.65	11	1/4	C6	3	826-77TC11-C6HP	63.00	0.65	78.00	63.00	70	1.940	1	TCMT 11 03 04
3.006	3.057						2.480	.026	3.071	2.480	1015			
77.35	78.65	11	1/4	C6	3	826-78TC11-C6HP	63.00	0.65	78.00	63.00	70	1.940	1	TCMT 11 03 04
3.045	3.096						2.480	.026	3.071	2.480	1015			
78.35	79.65	11	1/4	C6	3	826-79TC11-C6HP	63.00	0.65	78.00	63.00	70	1.940	1	TCMT 11 03 04
3.085	3.136						2.480	.026	3.071	2.480	1015			

For inserts, see Turning tools catalogue



CoroBore® 826 fine boring tool

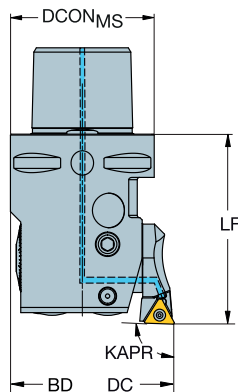
Coromant Capto® - Precision coolant supply

KAPR

92°



- TCMT, TCMX, TCGT, TCGX
- TCEX
- TCMW



							Dimensions, mm, inch							
DCN	DCX			CZC _{MS}	CNSC	Ordering code	DCON _{MS}	ADJLX _{FDL}	LF	BD ₁			CICT	MID
79.35	80.65	11	1/4	C6	3	826-80TC11-C6HP	63.00	0.65	78.00	63.00	70	1.940	1	TCMT 11 03 04
3.124	3.175						2.480	.026	3.071	2.480	1015			
80.35	81.65	11	1/4	C6	3	826-81TC11-C6HP	63.00	0.65	78.00	63.00	70	1.940	1	TCMT 11 03 04
3.163	3.215						2.480	.026	3.071	2.480	1015			
81.35	82.65	11	1/4	C6	3	826-82TC11-C6HP	63.00	0.65	78.00	63.00	70	1.940	1	TCMT 11 03 04
3.203	3.254						2.480	.026	3.071	2.480	1015			
82.35	83.65	11	1/4	C6	3	826-83TC11-C6HP	63.00	0.65	78.00	63.00	70	1.940	1	TCMT 11 03 04
3.242	3.293						2.480	.026	3.071	2.480	1015			
83.35	84.65	11	1/4	C6	3	826-84TC11-C6HP	63.00	0.65	78.00	63.00	70	1.940	1	TCMT 11 03 04
3.282	3.333						2.480	.026	3.071	2.480	1015			
84.35	85.65	11	1/4	C6	3	826-85TC11-C6HP	63.00	0.65	78.00	63.00	70	1.940	1	TCMT 11 03 04
3.321	3.372						2.480	.026	3.071	2.480	1015			
85.35	86.65	11	1/4	C6	3	826-86TC11-C6HP	63.00	0.65	78.00	63.00	70	1.940	1	TCMT 11 03 04
3.360	3.411						2.480	.026	3.071	2.480	1015			
86.35	87.65	11	1/4	C6	3	826-87TC11-C6HP	63.00	0.65	78.00	63.00	70	1.940	1	TCMT 11 03 04
3.400	3.451						2.480	.026	3.071	2.480	1015			
87.35	88.65	11	1/4	C6	3	826-88TC11-C6HP	63.00	0.65	78.00	63.00	70	1.940	1	TCMT 11 03 04
3.439	3.490						2.480	.026	3.071	2.480	1015			
88.35	89.65	11	1/4	C6	3	826-89TC11-C6HP	63.00	0.65	78.00	63.00	70	1.940	1	TCMT 11 03 04
3.478	3.530						2.480	.026	3.071	2.480	1015			
89.35	90.65	11	1/4	C6	3	826-90TC11-C6HP	63.00	0.65	78.00	63.00	70	1.940	1	TCMT 11 03 04
3.518	3.569						2.480	.026	3.071	2.480	1015			
90.35	91.65	11	1/4	C6	3	826-91TC11-C6HP	63.00	0.65	78.00	63.00	70	1.940	1	TCMT 11 03 04
3.557	3.608						2.480	.026	3.071	2.480	1015			

For inserts, see Turning tools catalogue



263



289



282



272



CoroBore® 826 fine boring tool

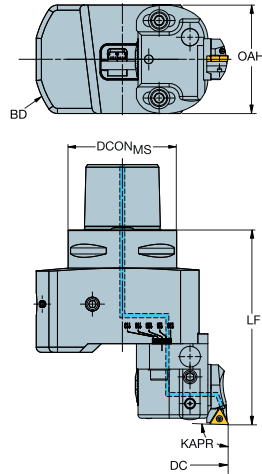
Coromant Capto® - Internal coolant supply





KAPR

92°



-  TCMT, TCMX,
TCGT, TCGX
TCEX
-  TCMW



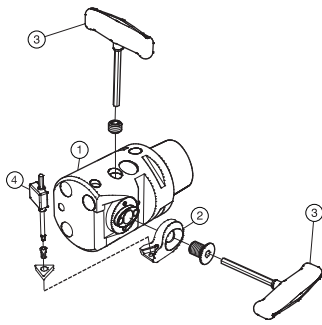
		Dimensions, mm, inch													
DCN	DCX			CZC _{MS}	CNSC	Ordering code	DCON _{MS}	ADJLX _{RDL}	LF	OAH	BD ₁			CICT	MIID
91.35	112.65	11	1/4	C6	3	826-112TC11-C6HP	63.00	10.65	113.00	63.00	85.00	70	3.215	1	TCMT 11 03 04
3.596	4.435						2.480	.419	4.449	2.480	3.346	1015			
112.35	133.65	11	1/4	C6	3	826-133TC11-C6HP	63.00	10.65	113.00	63.00	105.00	70	3.645	1	TCMT 11 03 04
4.423	5.262						2.480	.419	4.449	2.480	4.134	1015			
133.35	154.65	11	1/4	C6	3	826-154TC11-C6HP	63.00	10.65	113.00	63.00	125.00	70	3.940	1	TCMT 11 03 04
5.250	6.089						2.480	.419	4.449	2.480	4.921	1015			

For inserts, see Turning tools catalogue



Included parts

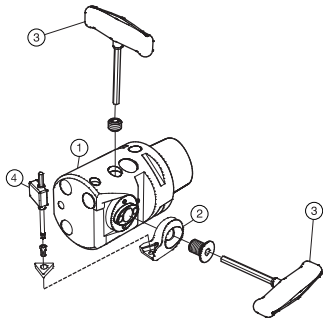
CoroBore® 826 fine boring tool



Ordering code	Included parts			
	1	2	3	4
	Adaptor	Cartridge	Key	Key
826-36TC09-C3HP	C3-R826B-AACA031HP	R826B-AF17STUC09HP	265.2-817	5680 051-02
826-37TC09-C3HP	C3-R826B-AACA031HP	R826B-BF17STUC09HP	265.2-817	5680 051-02
826-38TC09-C3HP	C3-R826B-AACA031HP	R826B-CF17STUC09HP	265.2-817	5680 051-02
826-39TC09-C3HP	C3-R826B-AACB031HP	R826B-AF17STUC09HP	265.2-817	5680 051-02
826-40TC09-C3HP	C3-R826B-AACB031HP	R826B-BF17STUC09HP	265.2-817	5680 051-02
826-41TC09-C3HP	C3-R826B-AACB031HP	R826B-CF17STUC09HP	265.2-817	5680 051-02
826-42TC09-C3HP	C3-R826B-AACC031HP	R826B-AF17STUC09HP	265.2-817	5680 051-02
826-43TC09-C3HP	C3-R826B-AACC031HP	R826B-BF17STUC09HP	265.2-817	5680 051-02
826-44TC09-C3HP	C3-R826B-AACC031HP	R826B-CF17STUC09HP	265.2-817	5680 051-02
826-45TC09-C4HP	C4-R826B-AADA039HP	R826B-AF17STUC09HP	265.2-817	5680 051-02
826-46TC09-C4HP	C4-R826B-AADA039HP	R826B-BF17STUC09HP	265.2-817	5680 051-02
826-47TC09-C4HP	C4-R826B-AADA039HP	R826B-CF17STUC09HP	265.2-817	5680 051-02
826-48TC09-C4HP	C4-R826B-AADB039HP	R826B-AF17STUC09HP	265.2-817	5680 051-02
826-49TC09-C4HP	C4-R826B-AADB039HP	R826B-BF17STUC09HP	265.2-817	5680 051-02
826-50TC09-C4HP	C4-R826B-AADB039HP	R826B-CF17STUC09HP	265.2-817	5680 051-02
826-51TC09-C4HP	C4-R826B-AADB039HP	R826B-DF17STUC09HP	265.2-817	5680 051-02
826-52TC09-C4HP	C4-R826B-AADC039HP	R826B-AF17STUC09HP	265.2-817	5680 051-02
826-53TC09-C4HP	C4-R826B-AADC039HP	R826B-BF17STUC09HP	265.2-817	5680 051-02
826-54TC09-C4HP	C4-R826B-AADC039HP	R826B-CF17STUC09HP	265.2-817	5680 051-02
826-55TC09-C4HP	C4-R826B-AADC039HP	R826B-DF17STUC09HP	265.2-817	5680 051-02
826-56TC11-C5HP	C5-R826C-AAEA043HP	R826C-AF23STUC11HP	265.2-821	5680 051-02
826-57TC11-C5HP	C5-R826C-AAEA043HP	R826C-BF23STUC11HP	265.2-821	5680 051-02
826-58TC11-C5HP	C5-R826C-AAEA043HP	R826C-CF23STUC11HP	265.2-821	5680 051-02
826-59TC11-C5HP	C5-R826C-AAEA043HP	R826C-DF23STUC11HP	265.2-821	5680 051-02
826-60TC11-C5HP	C5-R826C-AAEA043HP	R826C-EF23STUC11HP	265.2-821	5680 051-02
826-61TC11-C5HP	C5-R826C-AAEA043HP	R826C-FF23STUC11HP	265.2-821	5680 051-02
826-62TC11-C5HP	C5-R826C-AAEB043HP	R826C-AF23STUC11HP	265.2-821	5680 051-02
826-63TC11-C5HP	C5-R826C-AAEB043HP	R826C-BF23STUC11HP	265.2-821	5680 051-02
826-64TC11-C5HP	C5-R826C-AAEB043HP	R826C-CF23STUC11HP	265.2-821	5680 051-02
826-65TC11-C5HP	C5-R826C-AAEB043HP	R826C-DF23STUC11HP	265.2-821	5680 051-02

Included parts

CoroBore® 826 fine boring tool

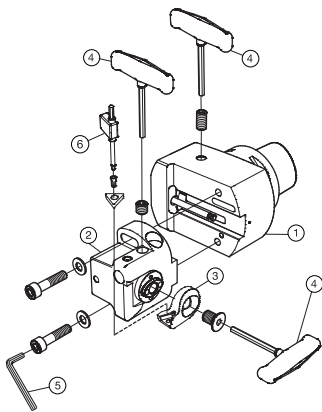


Ordering code	Included parts			
	1	2	3	4
	Adaptor	Cartridge	Key	Key
826-66TC11-C5HP	C5-R826C-AAEB043HP	R826C-EF23STUC11HP	265.2-821	5680 051-02
826-67TC11-C5HP	C5-R826C-AAEB043HP	R826C-FF23STUC11HP	265.2-821	5680 051-02
826-68TC11-C5HP	C5-R826C-AAEC043HP	R826C-AF23STUC11HP	265.2-821	5680 051-02
826-69TC11-C5HP	C5-R826C-AAEC043HP	R826C-BF23STUC11HP	265.2-821	5680 051-02
826-70TC11-C5HP	C5-R826C-AAEC043HP	R826C-CF23STUC11HP	265.2-821	5680 051-02
826-71TC11-C5HP	C5-R826C-AAEC043HP	R826C-DF23STUC11HP	265.2-821	5680 051-02
826-72TC11-C5HP	C5-R826C-AAEC043HP	R826C-EF23STUC11HP	265.2-821	5680 051-02
826-73TC11-C5HP	C5-R826C-AAEC043HP	R826C-FF23STUC11HP	265.2-821	5680 051-02
826-74TC11-C6HP	C6-R826C-AAFA055HP	R826C-AF23STUC11HP	265.2-821	5680 051-02
826-75TC11-C6HP	C6-R826C-AAFA055HP	R826C-BF23STUC11HP	265.2-821	5680 051-02
826-76TC11-C6HP	C6-R826C-AAFA055HP	R826C-CF23STUC11HP	265.2-821	5680 051-02
826-77TC11-C6HP	C6-R826C-AAFA055HP	R826C-DF23STUC11HP	265.2-821	5680 051-02
826-78TC11-C6HP	C6-R826C-AAFA055HP	R826C-EF23STUC11HP	265.2-821	5680 051-02
826-79TC11-C6HP	C6-R826C-AAFA055HP	R826C-FF23STUC11HP	265.2-821	5680 051-02
826-80TC11-C6HP	C6-R826C-AAFB055HP	R826C-AF23STUC11HP	265.2-821	5680 051-02
826-81TC11-C6HP	C6-R826C-AAFB055HP	R826C-BF23STUC11HP	265.2-821	5680 051-02
826-82TC11-C6HP	C6-R826C-AAFB055HP	R826C-CF23STUC11HP	265.2-821	5680 051-02
826-83TC11-C6HP	C6-R826C-AAFB055HP	R826C-DF23STUC11HP	265.2-821	5680 051-02
826-84TC11-C6HP	C6-R826C-AAFB055HP	R826C-EF23STUC11HP	265.2-821	5680 051-02
826-85TC11-C6HP	C6-R826C-AAFB055HP	R826C-FF23STUC11HP	265.2-821	5680 051-02
826-86TC11-C6HP	C6-R826C-AAFC055HP	R826C-AF23STUC11HP	265.2-821	5680 051-02
826-87TC11-C6HP	C6-R826C-AAFC055HP	R826C-BF23STUC11HP	265.2-821	5680 051-02
826-88TC11-C6HP	C6-R826C-AAFC055HP	R826C-CF23STUC11HP	265.2-821	5680 051-02
826-89TC11-C6HP	C6-R826C-AAFC055HP	R826C-DF23STUC11HP	265.2-821	5680 051-02
826-90TC11-C6HP	C6-R826C-AAFC055HP	R826C-EF23STUC11HP	265.2-821	5680 051-02
826-91TC11-C6HP	C6-R826C-AAFC055HP	R826C-FF23STUC11HP	265.2-821	5680 051-02

ENG

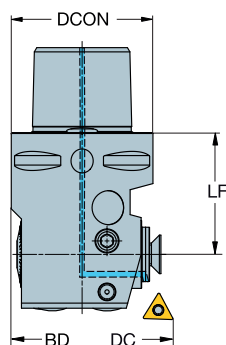
Included parts

CoroBore® 826 fine boring tool



Included parts				
	1	2	3	4
Ordering code	Adaptor	Fine boring head	Cartridge	Key
826-112TC11-C6HP	C6-R826S20-G066HP	S20-R826C-E024HP	R826C-AF23STUC11HP	265.2-821
826-133TC11-C6HP	C6-R826S20-H066HP	S20-R826C-E024HP	R826C-AF23STUC11HP	265.2-821
826-154TC11-C6HP	C6-R826S20-I066HP	S20-R826C-E024HP	R826C-AF23STUC11HP	265.2-821
Included parts				
	5	6		
Ordering code	Key	Key		
826-112TC11-C6HP	3021 010-050	5680 051-02		
826-133TC11-C6HP	3021 010-050	5680 051-02		
826-154TC11-C6HP	3021 010-050	5680 051-02		

Coromant Capto® to CoroBore® 826 tool body



						Dimensions, mm, inch							
DCN	DCX	CZC _{MS}	CZC _{WS}	CNSC	Ordering code	DCON _{MS}	ADJLX _{RDL}	LF	LPR	WF	BD ₁	BAR FST	KG
35.45	39.55	C3	B	3	C3-R826B-AACA031HP	32.00	1.00	31.00	45.00	11.00	32.00	70	0.274
1.396	1.557					1.260	.039	1.220	1.772	.433	1.260	1015	
38.45	42.55	C3	B	3	C3-R826B-AACB031HP	32.00	1.00	31.00	45.00	12.50	32.00	70	0.281
1.514	1.675					1.260	.039	1.220	1.772	.492	1.260	1015	
41.45	45.55	C3	B	3	C3-R826B-AACC031HP	32.00	1.00	31.00	45.00	14.00	32.00	70	0.289
1.632	1.793					1.260	.039	1.220	1.772	.551	1.260	1015	
44.45	48.55	C4	B	3	C4-R826B-AAADA039HP	40.00	1.00	39.00	53.00	15.50	40.00	70	0.554
1.750	1.911					1.575	.039	1.535	2.087	.610	1.575	1015	
47.45	51.55	C4	B	3	C4-R826B-AADB039HP	40.00	1.00	39.00	53.00	17.00	40.00	70	0.560
1.868	2.030					1.575	.039	1.535	2.087	.669	1.575	1015	
51.45	55.55	C4	B	3	C4-R826B-AADC039HP	40.00	1.00	39.00	53.00	18.50	40.00	70	0.567
2.026	2.187					1.575	.039	1.535	2.087	.728	1.575	1015	
55.35	61.65	C5	C	3	C5-R826C-AAEA043HP	50.00	1.50	43.00	62.00	18.00	50.00	70	1.030
2.179	2.427					1.969	.059	1.693	2.441	.709	1.969	1015	
61.35	67.65	C5	C	3	C5-R826C-AAEB043HP	50.00	1.50	43.00	62.00	21.00	50.00	70	1.030
2.415	2.663					1.969	.059	1.693	2.441	.827	1.969	1015	
67.35	73.65	C5	C	3	C5-R826C-AAEC043HP	50.00	1.50	43.00	62.00	24.00	50.00	70	1.012
2.652	2.900					1.969	.059	1.693	2.441	.945	1.969	1015	
73.35	79.65	C6	C	3	C6-R826C-AAFA055HP	63.00	1.50	55.00	74.00	27.00	63.00	70	1.870
2.888	3.136					2.480	.059	2.165	2.913	1.063	2.480	1015	
79.35	85.65	C6	C	3	C6-R826C-AAFB055HP	63.00	1.50	55.00	74.00	30.00	63.00	70	1.899
3.124	3.372					2.480	.059	2.165	2.913	1.181	2.480	1015	
85.35	91.65	C6	C	3	C6-R826C-AAFC055HP	63.00	1.50	55.00	74.00	33.00	63.00	70	1.950
3.360	3.608					2.480	.059	2.165	2.913	1.299	2.480	1015	

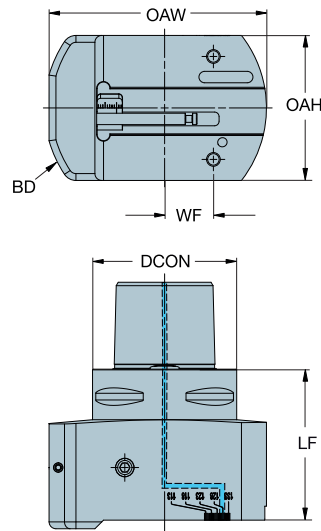


289



282

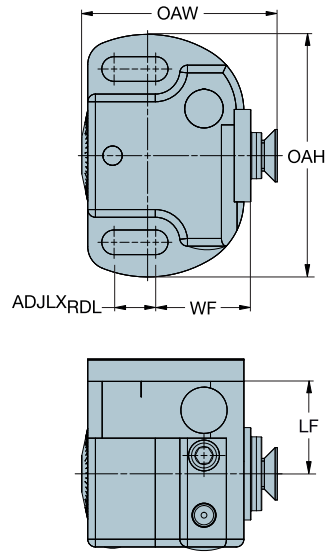
Coromant Capto® to CoroBore® 826 tool body



					Dimensions, mm, inch								
DCN	DCX	CZC _{MS}	CZC _{MS}	CNSC	Ordering code	DCON _{MS}	LF	LPR	WF	OAH	OAW	BAR PSI	KG
91.35	112.65	C6	CB826-	3	C6-R826S20-G066HP	63.00	66.00	70.00	11.20	63.40	74.50	70	2.185
<i>3.596</i>	<i>4.435</i>					<i>2.480</i>	<i>2.598</i>	<i>2.756</i>	<i>.441</i>	<i>2.496</i>	<i>2.933</i>	<i>1015</i>	
112.35	133.65	C6	CB826-	3	C6-R826S20-H066HP	63.00	66.00	70.00	21.70	63.40	95.50	70	2.569
<i>4.423</i>	<i>5.262</i>					<i>2.480</i>	<i>2.598</i>	<i>2.756</i>	<i>.854</i>	<i>2.496</i>	<i>3.760</i>	<i>1015</i>	
133.35	154.65	C6	CB826-	3	C6-R826S20-I066HP	63.00	66.00	70.00	32.20	63.40	116.50	70	2.908
<i>5.250</i>	<i>6.089</i>					<i>2.480</i>	<i>2.598</i>	<i>2.756</i>	<i>1.268</i>	<i>2.496</i>	<i>4.587</i>	<i>1015</i>	



CoroBore® 826 fine boring head



			Dimensions, mm, inch									
CZC _{MS}	CZC _{WS}	CNSC	Ordering code	ADJLXRDL	LF	LPR	WF	OAH	OAW	BAR PST	KG	
CB826-	C	1	S20-R826C-E024HP	10.65	24.00	48.00	24.45	63.00	51.00	70	0.340	
				.419	.945	1.890	.963	2.480	2.008	1015		



289

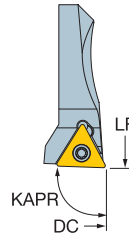
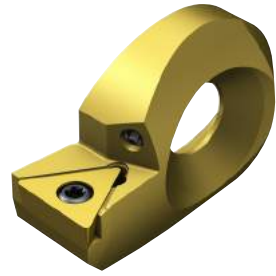


282

Cartridge for CoroBore® 826 HP

KAPR

92°



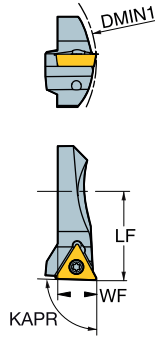
- TCMT, TCMX, TCGT, TCGX, TCEX
- TCMW

				Dimensions, mm, inch										
DMIN ₁		CZC _{MS}	CNSC	Ordering code	LF	WF	OAH	OAW			CICT	MIID		
35.0	09	7/32	B	2	R826B-AF17STUC09HP	17.00	7.00	15.60	9.30	70	0.022	1	TCMT 09 02 04	
1.378						.669	.276	.614	.366	1015				
36.0	09	7/32	B	2	R826B-BF17STUC09HP	17.00	7.50	15.60	9.30	70	0.022	1	TCMT 09 02 04	
1.417						.669	.295	.614	.366	1015				
37.0	09	7/32	B	2	R826B-CF17STUC09HP	17.00	8.00	15.60	9.30	70	0.022	1	TCMT 09 02 04	
1.457						.669	.315	.614	.366	1015				
38.0	09	7/32	B	2	R826B-DF17STUC09HP	17.00	8.50	15.60	9.30	70	0.022	1	TCMT 09 02 04	
1.496						.669	.335	.614	.366	1015				
55.0	11	1/4	C	2	R826C-AF23STUC11HP	23.00	10.00	23.50	13.20	70	0.040	1	TCMT 11 03 04	
2.165						.906	.394	.925	.520	1015				
56.0	11	1/4	C	2	R826C-BF23STUC11HP	23.00	10.50	23.50	13.20	70	0.040	1	TCMT 11 03 04	
2.205						.906	.413	.925	.520	1015				
57.0	11	1/4	C	2	R826C-CF23STUC11HP	23.00	11.00	23.50	13.20	70	0.040	1	TCMT 11 03 04	
2.244						.906	.433	.925	.520	1015				
58.0	11	1/4	C	2	R826C-DF23STUC11HP	23.00	11.50	23.50	13.20	70	0.040	1	TCMT 11 03 04	
2.283						.906	.453	.925	.520	1015				
59.0	11	1/4	C	2	R826C-EF23STUC11HP	23.00	12.00	23.50	13.20	70	0.040	1	TCMT 11 02 04	
2.323						.906	.472	.925	.520	1015				
60.0	11	1/4	C	2	R826C-FF23STUC11HP	23.00	12.50	23.50	13.20	70	0.040	1	TCMT 11 03 04	
2.362						.906	.492	.925	.520	1015				



CoroBore® 826 HP

Cartridge set

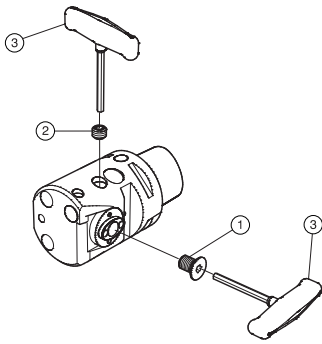


	Ordering code	Included cartridges	WF mm	WF inch
Size B set	826B-4-TC09U	R826B-AF17STUC09HP	7.0	.276
		R826B-BF17STUC09HP	7.5	.295
		R826B-CF17STUC09HP	8.0	.315
		R826B-DF17STUC09HP	8.5	.335
Size C set	826C-6-TC11U	R826C-AF23STUC11HP	10.0	.394
		R826C-BF23STUC11HP	10.5	.413
		R826C-CF23STUC11HP	11.0	.433
		R826C-DF23STUC11HP	11.5	.453
		R826C-EF23STUC11HP	12.0	.472
		R826C-FF23STUC11HP	12.5	.492



Spare parts

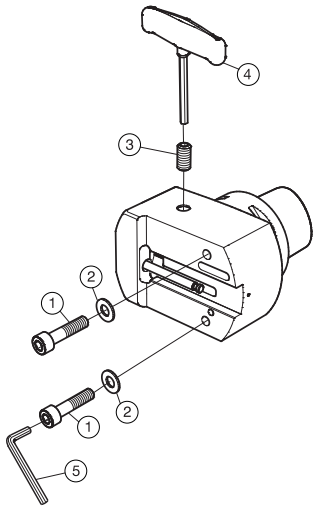
Coromant Capto® to CoroBore® 826 tool body



	Spare parts		Accessories
	1	2	3
Ordering code	Screw for cartridge	Clamping screw	Key
C3-R826B-AACA031HP	5513 010-07	3214 010-353	265.2-817
C3-R826B-AACB031HP	5513 010-07	3214 010-353	265.2-817
C3-R826B-AACC031HP	5513 010-07	3214 010-353	265.2-817
C4-R826B-AADA039HP	5513 010-07	3214 010-355	265.2-817
C4-R826B-AADB039HP	5513 010-07	3214 010-355	265.2-817
C4-R826B-AADC039HP	5513 010-07	3214 010-355	265.2-817
C5-R826C-AAEA043HP	5513 010-08	3214 011-405	265.2-821
C5-R826C-AAEB043HP	5513 010-08	3214 011-405	265.2-821
C5-R826C-AAEC043HP	5513 010-08	3214 011-405	265.2-821
C6-R826C-AAFA055HP	5513 010-08	3214 011-407	265.2-821
C6-R826C-AAFB055HP	5513 010-08	3214 011-407	265.2-821
C6-R826C-AAFC055HP	5513 010-08	3214 011-407	265.2-821

Spare parts

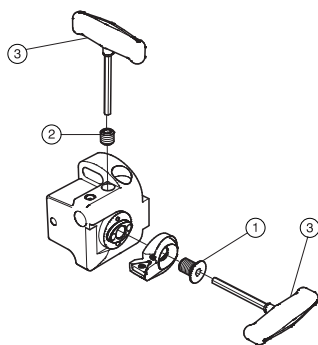
Coromant Capto® to CoroBore® 826 tool body



	Spare parts			Accessories
	1	2	3	4
Ordering code	Screw	Cup spring	Screw	Key
C6-R826S20-G066HP	3212 010-361	3846 010-033	470-872	3021 010-040
C6-R826S20-H066HP	3212 010-361	3846 010-033	470-872	3021 010-040
C6-R826S20-I066HP	3212 010-361	3846 010-033	470-872	3021 010-040
	Accessories			
	5			
Ordering code	Key			
C6-R826S20-G066HP	3021 010-050			
C6-R826S20-H066HP	3021 010-050			
C6-R826S20-I066HP	3021 010-050			

Spare parts

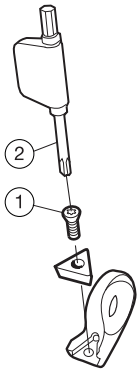
CoroBore® 826 fine boring head



			Dimensions, mm, inch									
CZC _{MS}	CZC _{WS}	CNSC	Ordering code	ADJLX _{FDL}	LF	LPR	WF	OAH	OAW	BAR PSI	KG	
CB826-	C	1	S20-R826C-E024HP	10.65	24.00	48.00	24.45	63.00	51.00	70	0.340	
				.419	.945	1.890	.963	2.480	2.008	1015		

Spare parts

Cartridge for CoroBore® 826 HP



	Spare parts	Accessories	
	1	2	
Ordering code	Insert screw	Key	
R826B-AF17STUC09HP	5513 020-05	5680 046-03	
R826B-BF17STUC09HP	5513 020-05	5680 046-03	
R826B-CF17STUC09HP	5513 020-05	5680 046-03	
R826B-DF17STUC09HP	5513 020-05	5680 046-03	
R826C-AF23STUC11HP	5513 020-03	5680 046-03	
R826C-BF23STUC11HP	5513 020-03	5680 046-03	
R826C-CF23STUC11HP	5513 020-03	5680 046-03	
R826C-DF23STUC11HP	5513 020-03	5680 046-03	
R826C-EF23STUC11HP	5513 020-03	5680 046-03	
R826C-FF23STUC11HP	5513 020-03	5680 046-03	

CoroBore® 825

Fine boring tool for high precision boring

Application

- Fine boring
- Back boring

ISO application area



Benefits and features

- Flexible solutions linking to any machine interface; choose between Coromant Capto and EH modular interfaces
- Achieve required overhang even at small diameters with the EH modular system
- Reliable system with rigid interfaces between head and cartridge for stable and vibration-free boring
- CoroBore 825 accurately adjusts the cutting edge manually with a resolution of 0.002 mm (.00008 inch) on diameter
- Close hole tolerances of IT6
- Available as damped tool for vibration-free boring even at long overhangs
- Coolant through the tool



www.sandvik.coromant.com/corobore825

Tools

Couplings:

- Coromant Capto®
- Coromant EH
- Cylindrical shank

Inserts

Standard inserts with dedicated grades and geometries for all materials

- CoroTurn® 107
- CoroTurn® 111 (not available as kits)



Adjusts diameter 0.002 mm (.000079 inch) with a nonius scale. A 360° turn change diameter by 0.5 mm (.020 inch).



With a Silent Tools™ damper built closer to the cutting edge and a fine boring head in aluminum with reduced length, higher performance and increased productivity can be achieved.



Also available as lightweight tools. Bore large diameters with increased stability without increasing the tool weight.

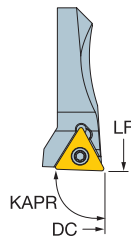
CoroBore® 825 fine boring tool

Coromant Capto® - Internal coolant supply

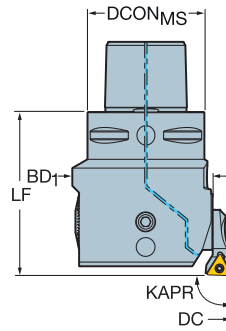


- TCMT, TCMX, TCGT, TCGX, TCEX
- TCMW

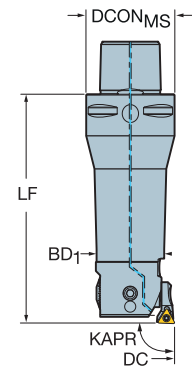
KAPR
DSGN



92°
1



92°
2



								Dimensions, mm, inch								
DCN	DCX			CZC _{MS}	CNSC	DSGN	Ordering code	DCON _{MS}	ADJLX _{RDL}	ULDR	LF	BD ₁			CICT	MIID
19.00	23.00	06	5/32	C3	3	2	825-23TC06-C3	32.00	2.00	3.00	89.00	18.00	70	0.430	1	TCMT 06 T1 02
.748	.906							1.260	.079		3.504	.709	1015			
23.00	29.00	06	5/32	C3	3	2	825-29TC06-C3	32.00	3.00	2.00	76.00	20.00	70	0.414	1	TCMT 06 T1 02
.906	1.142							1.260	.118		2.992	.787	1015			
23.00	29.00	06	5/32	C4	3	2	825-29TC06-C4	40.00	3.00	2.00	85.00	20.00	70	0.897	1	TCMT 06 T1 02
.906	1.142							1.575	.118		3.346	.787	1015			
28.00	36.00	06	5/32	C3	3	2	825-36TC06-C3	32.00	4.00	2.00	83.00	25.00	70	0.692	1	TCMT 06 T1 02
1.102	1.417							1.260	.157		3.268	.984	1015			
28.00	36.00	06	5/32	C4	3	2	825-36TC06-C4	40.00	4.00	2.00	95.00	25.00	70	0.992	1	TCMT 06 T1 02
1.102	1.417							1.575	.157		3.740	.984	1015			
35.00	45.00	09	7/32	C3	3	1	825-45TC09-C3	32.00	5.00		48.00	32.00	70	0.641	1	TCMT 09 02 04
1.378	1.772							1.260	.197		1.890	1.260	1015			
35.00	45.00	09	7/32	C4	3	2	825-45TC09-C4	40.00	5.00	1.50	83.00	32.00	70	1.007	1	TCMT 09 02 04
1.378	1.772							1.575	.197		3.268	1.260	1015			
44.00	56.00	09	7/32	C4	3	1	825-56TC09-C4	40.00	6.00		56.00	40.00	70	0.874	1	TCMT 09 02 04
1.732	2.205							1.575	.236		2.205	1.575	1015			
44.00	56.00	09	7/32	C5	3	2	825-56TC09-C5	50.00	6.00	1.50	98.00	40.00	70	1.600	1	TCMT 09 02 04
1.732	2.205							1.969	.236		3.858	1.575	1015			
55.00	70.00	11	1/4	C5	3	1	825-70TC11-C5	50.00	7.50		66.00	50.00	70	1.430	1	TCMT 11 03 04
2.165	2.756							1.969	.295		2.598	1.969	1015			
55.00	70.00	11	1/4	C6	3	2	825-70TC11-C6	63.00	7.50	1.50	120.00	50.00	70	2.620	1	TCMT 11 03 04
2.165	2.756							2.480	.295		4.724	1.969	1015			
69.00	87.00	11	1/4	C5	3	1	825-87TC11-C5	50.00	9.00		70.00	63.00	70	1.930	1	TCMT 11 03 04
2.717	3.425							1.969	.354		2.756	2.480	1015			
69.00	87.00	11	1/4	C6	3	1	825-87TC11-C6	63.00	9.00		78.00	63.00	70	2.360	1	TCMT 11 03 04
2.717	3.425							2.480	.354		3.071	2.480	1015			
86.00	107.00	11	1/4	C5	3	1	825-107TC11-C5	50.00	10.50		76.00	80.00	70	2.240	1	TCMT 11 03 04
3.386	4.213							1.969	.413		2.992	3.150	1015			
86.00	107.00	11	1/4	C6	3	1	825-107TC11-C6	63.00	10.50		90.00	80.00	70	3.180	1	TCMT 11 03 04
3.386	4.213							2.480	.413		3.543	3.150	1015			
106.00	137.00	11	1/4	C6	3	1	825-137TC11-C6	63.00	15.50		90.00	100.00	70	3.792	1	TCMT 11 03 04
4.173	5.394							2.480	.610		3.543	3.937	1015			
106.00	137.00	11	1/4	C8	3	1	825-137TC11-C8	80.00	15.50		100.00	100.00	70	5.045	1	TCMT 11 03 04
4.173	5.394							3.150	.610		3.937	3.937	1015			
136.00	167.00	11	1/4	C6	3	1	825-167TC11-C6	63.00	15.50		90.00	130.00	70	4.430	1	TCMT 11 03 04
5.354	6.575							2.480	.610		3.543	5.118	1015			
136.00	167.00	11	1/4	C8	3	1	825-167TC11-C8	80.00	15.50		100.00	130.00	70	5.570	1	TCMT 11 03 04
5.354	6.575							3.150	.610		3.937	5.118	1015			

Diameters are valid when frontboring.

For more information about backboring, see page 269

For more information about use of slide extensions, see page 268

For inserts, see Turning tools catalogue

For all DSGN 2; LU = DC*ULDR



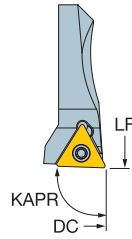
CoroBore® 825 fine boring tool

Cylindrical shank - Internal coolant supply

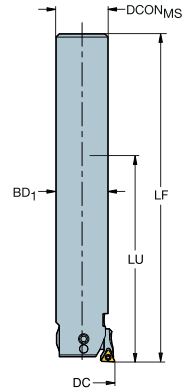


- TCMT, TCMX, TCGT, TCGX, TCEX
- TCMW

KAPR



92°



		Dimensions, mm, inch													
DCN	DCX			CZC _{MS}	CNSC	Ordering code	DCON _{MS}	ADJLX _{RDL}	LU	LF	BD ₁			CICT	MIID
19.00	23.00	06	5/32	18	1	825-23TC06-A18	18.00	2.00	77.00	128.00	18.00	70	0.640	1	TCMT 06 T1 02
.748	.906						.709	.079	3.032	5.039	.709	1015			
23.00	29.00	06	5/32	20	1	825-29TC06-A20	20.00	3.00	81.00	132.00	20.00	70	0.606	1	TCMT 06 T1 02
.906	1.142						.787	.118	3.189	5.197	.787	1015			
28.00	36.00	06	5/32	25	1	825-36TC06-A25	25.00	4.00	101.00	158.00	25.00	70	0.951	1	TCMT 06 T1 02
1.102	1.417						.984	.157	3.976	6.220	.984	1015			

Diameters are valid when frontboring.

For more information about backboring, see page 269

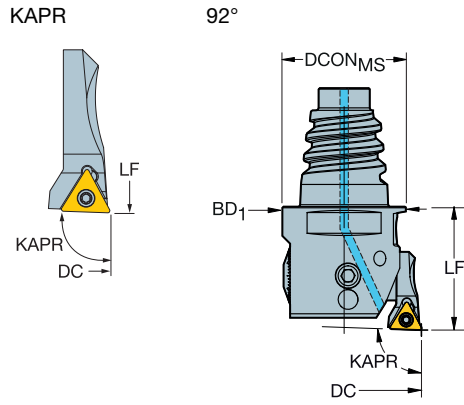
For more information about use of slide extensions, see page 268

For inserts, see Turning tools catalogue



CoroBore® 825 fine boring tool

Coromant EH coupling - Internal coolant supply



- TCMT, TCMX, TCGT, TCGX, TCEX
- TCMW

							Dimensions, mm, inch							
DCN	DCX			CZC _{MS}	CNSC	Ordering code	DCON _{MS}	ADJLX _{ADL}	LF	BD ₁			CICT	MIID
19.00	23.00	06	5/32	E16	1	825-23TC06-EH16	15.50	2.00	25.00	18.00	70	0.500	1	TCMT 06 T1 02
.748	.906						.610	.079	.984	.709	1015			
23.00	29.00	06	5/32	E20	1	825-29TC06-EH20	19.30	3.00	25.00	20.00	70	0.600	1	TCMT 06 T1 02
.906	1.142						.760	.118	.984	.787	1015			
28.00	36.00	06	5/32	E25	1	825-36TC06-EH25	24.20	4.00	25.00	25.00	70	0.687	1	TCMT 06 T1 02
1.102	1.417						.953	.157	.984	.984	1015			

Diameters are valid when frontboring.

For more information about backboring, see page 269

For more information about use of slide extensions, see page 268


For inserts, see Turning tools catalogue



CoroBore® 825 lightweight fine boring tool

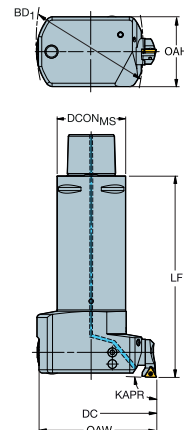
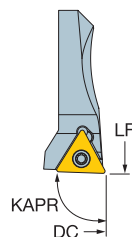
Coromant Capto® - Internal coolant supply







-  TCMT, TCMX, TCGT, TCGX, TCEX
-  TCMW

KAPR

92°



							Dimensions, mm, inch										
DCN	DCX			CZC _{MS}	CNSC	Ordering code	DCON _{MS}	ADJL _{FDL}	LF	OAH	BD ₁			CICT	MIID		
69.00	87.00	11	1/4	C5	3	825L-87TC11-C5	50.00	9.00	150.00	51.00	63.00	70	2.150	1	TCMT 11 03 04		
<i>2.717</i>	<i>3.425</i>						<i>1.969</i>	<i>.354</i>	<i>5.906</i>	<i>2.008</i>	<i>2.480</i>	<i>1015</i>					
86.00	107.00	11	1/4	C5	3	825L-107TC11-C5	50.00	10.50	156.00	51.00	80.00	70	2.230	1	TCMT 11 03 04		
<i>3.386</i>	<i>4.213</i>						<i>1.969</i>	<i>.413</i>	<i>6.142</i>	<i>2.008</i>	<i>3.150</i>	<i>1015</i>					
106.00	137.00	11	1/4	C6	3	825L-137TC11-C6	63.00	15.50	190.00	64.00	100.00	70	3.970	1	TCMT 11 03 04		
<i>4.173</i>	<i>5.394</i>						<i>2.480</i>	<i>.610</i>	<i>7.480</i>	<i>2.520</i>	<i>3.937</i>	<i>1015</i>					
106.00	137.00	11	1/4	C8	3	825L-137TC11-C8	80.00	15.50	200.00	80.00	100.00	70	4.885	1	TCMT 11 03 04		
<i>4.173</i>	<i>5.394</i>						<i>3.150</i>	<i>.610</i>	<i>7.874</i>	<i>3.150</i>	<i>3.937</i>	<i>1015</i>					
136.00	167.00	11	1/4	C8	3	825L-167TC11-C8	80.00	15.50	200.00	80.00	130.00	70	5.160	1	TCMT 11 03 04		
<i>5.354</i>	<i>6.575</i>						<i>3.150</i>	<i>.610</i>	<i>7.874</i>	<i>3.150</i>	<i>5.118</i>	<i>1015</i>					

Diameters are valid when frontboring.

For more information about backboring, see page 269

For more information about use of slide extensions, see page 268

For inserts, see Turning tools catalogue



CoroBore® 825 damped fine boring tool

Coromant Capto® - Internal coolant supply



KAPR
DSGN

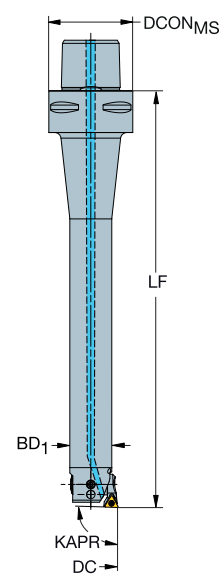
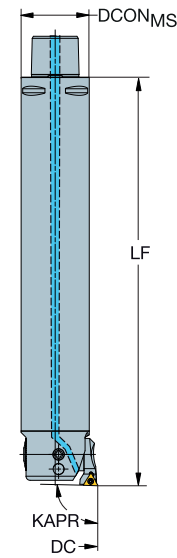
92°
1





92°
2

●●● SilentTools®



-  TCMT, TCMX, TCGT, TCGX, TCEX
-  TCMW



		Dimensions, mm, inch															
DCN	DCX			CZC _{MS}	CNSC	DSGN	Ordering code	DCON _{MS}	ADJLX _{RDL}	ULDR	LF	OAH	BD ₁			CICT	MID
19.00	23.00	06	5/32	C4	3	2	825D-23TC06U-C4L	40.00	2.00	6.00	163.00	18.00	70	0.568	1	TCMT 06 T1 02	
.748	.906							1.575	.079	6.417		.709	1015				
23.00	29.00	06	5/32	C4	3	2	825D-29TC06U-C4L	40.00	3.00	6.00	199.00	20.00	70	0.728	1	TCMT 06 T1 02	
.906	1.142							1.575	.118	7.835		.787	1015				
28.00	36.00	06	5/32	C3	3	2	825D-36TC06U-C3L	32.00	4.00	6.00	216.00	25.00	70	0.968	1	TCMT 06 T1 02	
1.102	1.417							1.260	.157	8.504		.984	1015				
35.00	45.00	09	7/32	C3	3	1	825D-45TC09U-C3L	32.00	5.00		221.00	32.00	70	1.484	1	TCMT 09 02 04	
1.378	1.772							1.260	.197	8.701		1.260	1015				
35.00	45.00	09	7/32	C4	3	2	825D-45TC09U-C4L	40.00	5.00	6.00	270.00	32.00	70	1.924	1	TCMT 09 02 04	
1.378	1.772							1.575	.197	10.630		1.260	1015				
35.00	45.00	09	7/32	C6	3	2	825D-45TC09U-C6L	63.00	5.00	6.00	297.00	32.00	70	2.574	1	TCMT 09 02 04	
1.378	1.772							2.480	.197	11.693		1.260	1015				
44.00	56.00	09	7/32	C4	3	1	825D-56TC09U-C4L	40.00	6.00		220.00	40.00	70	2.124	1	TCMT 09 02 04	
1.732	2.205							1.575	.236	8.661		1.575	1015				
44.00	56.00	09	7/32	C5	3	2	825D-56TC09U-C5L	50.00	6.00	6.00	336.00	40.00	70	3.744	1	TCMT 09 02 04	
1.732	2.205							1.969	.236	13.228		1.575	1015				
44.00	56.00	09	7/32	C6	3	2	825D-56TC09U-C6L	63.00	6.00	6.00	401.00	40.00	70	4.384	1	TCMT 09 02 04	
1.732	2.205							2.480	.236	15.787		1.575	1015				
55.00	70.00	11	1/4	C5	3	1	825D-70TC11U-C5M	50.00	7.50		300.00	50.00	70	4.940	1	TCMT 11 03 04	
2.165	2.756							1.969	.295	11.811		1.969	1015				
55.00	70.00	11	1/4	C6	3	2	825D-70TC11U-C6M	63.00	7.50	5.60	400.00	50.00	70	6.789	1	TCMT 11 03 04	
2.165	2.756							2.480	.295	15.748		1.969	1015				
69.00	87.00	11	1/4	C6	3	1	825D-87TC11U-C6M	63.00	9.00		400.00	63.00	70	9.659	1	TCMT 11 03 04	
2.717	3.425							2.480	.354	15.748		2.480	1015				
69.00	87.00	11	1/4	C8	3	2	825D-87TC11U-C8S	80.00	9.00	5.60	500.00	63.00	70	12.869	1	TCMT 11 03 04	
2.717	3.425							3.150	.354	19.685		2.480	1015				
86.00	107.00	11	1/4	C6	3	1	825D-107TC11U-C6M	63.00	10.50		400.00	64.00	80.00	70	9.729	1	TCMT 11 03 04
3.386	4.213							2.480	.413	15.748	2.520	3.150	1015				
86.00	107.00	11	1/4	C8	3	1	825D-107TC11U-C8M	80.00	10.50		500.00	80.00	70	18.089	1	TCMT 11 03 04	
3.386	4.213							3.150	.413	19.685		3.150	1015				
86.00	107.00	11	1/4	C8	3	1	825D-107TC11U-C8S	80.00	10.50		410.00	80.00	70	15.669	1	TCMT 11 03 04	
3.386	4.213							3.150	.413	16.142		3.150	1015				
106.00	137.00	11	1/4	C6	3	1	825D-137TC11U-C6M	63.00	15.50		400.00	64.00	100.00	70	9.809	1	TCMT 11 03 04
4.173	5.394							2.480	.610	15.748	2.520	3.937	1015				
106.00	137.00	11	1/4	C8	3	1	825D-137TC11U-C8M	80.00	15.50		500.00	81.00	100.00	70	18.199	1	TCMT 11 03 04
4.173	5.394							3.150	.610	19.685	3.189	3.937	1015				
106.00	137.00	11	1/4	C8	3	1	825D-137TC11U-C8S	80.00	15.50		400.00	81.00	100.00	70	15.759	1	TCMT 11 03 04
4.173	5.394							3.150	.610	15.748	3.189	3.937	1015				
136.00	167.00	11	1/4	C8	3	1	825D-167TC11U-C8S	80.00	15.50		500.00	81.00	130.00	70	18.359	1	TCMT 11 03 04
5.354	6.575							3.150	.610	19.685	3.189	5.118	1015				

Diameters are valid when frontboring.

For more information about backboring, see page 270

For more information about use of slide extensions, see page 268

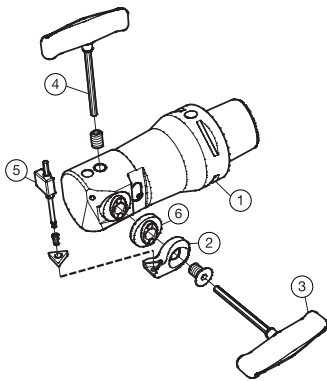
For inserts, see Turning tools catalogue

For all DSGN 2; LU = DC*ULDR



Included parts

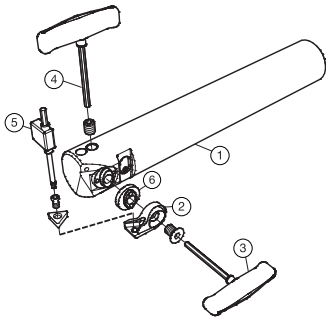
CoroBore® 825 fine boring tool



Included parts					
	1	2	3	4	
Ordering code	Adaptor	Cartridge	Key	Key	
825-23TC06-C3	C3-R825A-AA18078A	R825A-AF11STUC06T1A	5680 012-02		
825-29TC06-C3	C3-R825A-AAA065A	R825A-AF11STUC06T1A	5680 012-02		
825-29TC06-C4	C4-R825A-AAA074A	R825A-AF11STUC06T1A	5680 012-02		
825-36TC06-C3	C3-R825A-AAB072A	R825A-AF11STUC06T1A	5680 012-02	265.2-815	
825-36TC06-C4	C4-R825A-AAB084A	R825A-AF11STUC06T1A	5680 012-02	265.2-815	
825-45TC09-C3	C3-R825B-AAC031A	R825B-AF17STUC0902A	265.2-817		
825-45TC09-C4	C4-R825B-AAC066A	R825B-AF17STUC0902A	265.2-817		
825-56TC09-C4	C4-R825B-AAD039A	R825B-AF17STUC0902A	265.2-817		
825-56TC09-C5	C5-R825B-AAD081A	R825B-AF17STUC0902A	265.2-817		
825-70TC11-C5	C5-R825C-AAE043A	R825C-AF23STUC1103A	265.2-821		
825-70TC11-C6	C6-R825C-AAE097A	R825C-AF23STUC1103A	265.2-821		
825-87TC11-C5	C5-R825C-AAF047A	R825C-AF23STUC1103A		265.2-821	
825-87TC11-C6	C6-R825C-AAF055A	R825C-AF23STUC1103A	265.2-821		
825-107TC11-C5	C5-R825C-AAG053A	R825C-AF23STUC1103A	265.2-821		
825-107TC11-C6	C6-R825C-AAG067A	R825C-AF23STUC1103A	265.2-821		
825-137TC11-C6	C6-R825C-AAH067A	R825C-AF23STUC1103A		265.2-821	
825-137TC11-C8	C8-R825C-AAH077A	R825C-AF23STUC1103A	265.2-821		
825-167TC11-C6	C6-R825C-AAI067A	R825C-AF23STUC1103A	265.2-821		
825-167TC11-C8	C8-R825C-AAI077A	R825C-AF23STUC1103A	265.2-821		
Included parts		Accessories			
	5	6			
Ordering code	Key	Slide extension set			
825-23TC06-C3	5680 051-01	825A-030A			
825-29TC06-C3	5680 051-01	825A-030A			
825-29TC06-C4	5680 051-01	825A-030A			
825-36TC06-C3	5680 051-01	825A-030A			
825-36TC06-C4	5680 051-01	825A-030A			
825-45TC09-C3	5680 051-02	825B-036A			
825-45TC09-C4	5680 051-02	825B-036A			
825-56TC09-C4	5680 051-02	825B-036A			
825-56TC09-C5	5680 051-02	825B-036A			
825-70TC11-C5	5680 051-02	825C-048A			
825-70TC11-C6	5680 051-02	825C-048A			
825-87TC11-C5	5680 051-02	825C-048A			
825-87TC11-C6	5680 051-02	825C-048A			
825-107TC11-C5	5680 051-02	825C-048A			
825-107TC11-C6	5680 051-02	825C-048A			
825-137TC11-C6	5680 051-02	825C-048A			
825-137TC11-C8	5680 051-02	825C-048A			
825-167TC11-C6	5680 051-02	825C-048A			
825-167TC11-C8	5680 051-02	825C-048A			

Included parts

CoroBore® 825 fine boring tool



Cylindrical shank

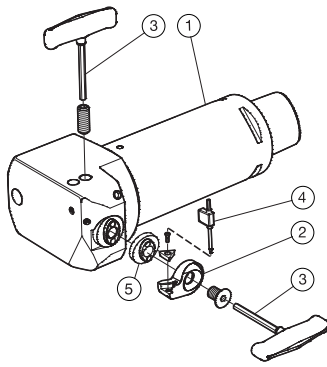
	Included parts			
	1	2	3	4
Ordering code	Adaptor	Cartridge	Key	Key
825-23TC06-A18	A18-R825A-A18116-RA	R825A-AF11STUC06T1A	5680 012-02	
825-29TC06-A20	A20-R825A-AA120-RA	R825A-AF11STUC06T1A	5680 012-02	
825-36TC06-A25	A25-R825A-AB146-RA	R825A-AF11STUC06T1A	5680 012-02	265.2-815
	Included parts	Accessories		
	5	6		
Ordering code	Key	Slide extension set		
825-23TC06-A18	5680 051-01	825A-030A		
825-29TC06-A20	5680 051-01	825A-030A		
825-36TC06-A25	5680 051-01	825A-030A		

Coromant EH

	Included parts			
	1	2	3	4
Ordering code	Adaptor	Cartridge	Key	Key
825-23TC06-EH16	EH16-R825A-AA18014	R825A-AF11STUC06T1A	5680 012-02	
825-29TC06-EH20	EH20-R825A-AAA014	R825A-AF11STUC06T1A	5680 012-02	
825-36TC06-EH25	EH25-R825A-AAB014	R825A-AF11STUC06T1A	5680 012-02	265.2-815
	Included parts	Accessories		
	5	6		
Ordering code	Key	Slide extension set		
825-23TC06-EH16	5680 051-01	825A-030A		
825-29TC06-EH20	5680 051-01	825A-030A		
825-36TC06-EH25	5680 051-01	825A-030A		

Included parts

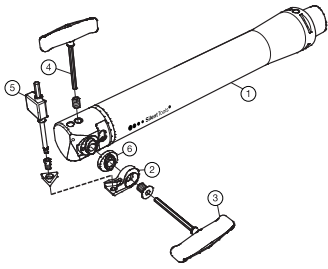
CoroBore® 825 lightweight fine boring tool



Included parts				
	1	2	3	4
Ordering code	Adaptor	Cartridge	Key	Key
825L-87TC11-C5	C5-R825C-LAF127	R825C-AF23STUC1103A	265.2-821	5680 051-02
825L-107TC11-C5	C5-R825C-LAG133	R825C-AF23STUC1103A	265.2-821	5680 051-02
825L-137TC11-C6	C6-R825C-LAH167	R825C-AF23STUC1103A	265.2-821	5680 051-02
825L-137TC11-C8	C8-R825C-LAH177	R825C-AF23STUC1103A	265.2-821	5680 051-02
825L-167TC11-C8	C8-R825C-LAI177	R825C-AF23STUC1103A	265.2-821	5680 051-02
	Accessories			
	5			
Ordering code	Slide extension set			
825L-87TC11-C5	825C-048A			
825L-107TC11-C5	825C-048A			
825L-137TC11-C6	825C-048A			
825L-137TC11-C8	825C-048A			
825L-167TC11-C8	825C-048A			

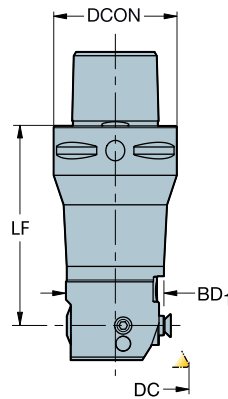
Included parts

CoroBore® 825 damped fine boring tool



Included parts				
	1	2	3	4
Ordering code	Adaptor	Cartridge	Key	Key
825D-23TC06U-C4L	C4-R825A-FA18152	R825A-AF11STUC06T1A	5680 012-02	265.2-815
825D-29TC06U-C4L	C4-R825A-FAA188	R825A-AF11STUC06T1A	5680 012-02	
825D-36TC06U-C3L	C3-R825A-FAB205	R825A-AF11STUC06T1A	5680 012-02	
825D-45TC09U-C3L	C3-R825B-FAC204	R825B-AF17STUC0902A	265.2-817	
825D-45TC09U-C4L	C4-R825B-FAC253	R825B-AF17STUC0902A	265.2-817	
825D-45TC09U-C6L	C6-R825B-FAC280	R825B-AF17STUC0902A	265.2-817	
825D-56TC09U-C4L	C4-R825B-FAD203	R825B-AF17STUC0902A	265.2-817	
825D-56TC09U-C5L	C5-R825B-FAD319	R825B-AF17STUC0902A	265.2-817	
825D-56TC09U-C6L	C6-R825B-FAD346	R825B-AF17STUC0902A	265.2-817	
825D-70TC11U-C5M	C5-R825C-FAE277	R825C-AF23STUC1103A	265.2-821	
825D-70TC11U-C6M	C6-R825C-FAE377	R825C-AF23STUC1103A	265.2-821	
825D-87TC11U-C6M	C6-R825C-FAF377	R825C-AF23STUC1103A	265.2-821	
825D-87TC11U-C8S	C8-R825C-FAF477	R825C-AF23STUC1103A	265.2-821	
825D-107TC11U-C6M	C6-R825C-FAG377	R825C-AF23STUC1103A	265.2-821	
825D-107TC11U-C8M	C8-R825C-FAG477	R825C-AF23STUC1103A	265.2-821	
825D-107TC11U-C8S	C8-R825C-FAG387	R825C-AF23STUC1103A	265.2-821	
825D-137TC11U-C6M	C6-R825C-FAH377	R825C-AF23STUC1103A	265.2-821	
825D-137TC11U-C8M	C8-R825C-FAH477	R825C-AF23STUC1103A	265.2-821	
825D-137TC11U-C8S	C8-R825C-FAH387	R825C-AF23STUC1103A	265.2-821	
825D-167TC11U-C8S	C8-R825C-FAI477	R825C-AF23STUC1103A	265.2-821	
Included parts				
	5			
Ordering code	Key			
825D-23TC06U-C4L	5680 051-01			
825D-29TC06U-C4L	5680 051-01			
825D-36TC06U-C3L	5680 051-01			
825D-45TC09U-C3L	5680 051-02			
825D-45TC09U-C4L	5680 051-02			
825D-45TC09U-C6L	5680 051-02			
825D-56TC09U-C4L	5680 051-02			
825D-56TC09U-C5L	5680 051-02			
825D-56TC09U-C6L	5680 051-02			
825D-70TC11U-C5M	5680 051-02			
825D-70TC11U-C6M	5680 051-02			
825D-87TC11U-C6M	5680 051-02			
825D-87TC11U-C8S	5680 051-02			
825D-107TC11U-C6M	5680 051-02			
825D-107TC11U-C8M	5680 051-02			
825D-107TC11U-C8S	5680 051-02			
825D-137TC11U-C6M	5680 051-02			
825D-137TC11U-C8M	5680 051-02			
825D-137TC11U-C8S	5680 051-02			
825D-167TC11U-C8S	5680 051-02			

Coromant Capto® to CoroBore® 825 tool body



					Dimensions, mm, inch								
DCN	DCX	CZC _{MS}	CZC _{WS}	CNSC	Ordering code	DCN _{MS}	ADJLX _{RDL}	LF	LPR	WF	BD ₁	(BAR PSI)	(KG)
19.00	23.00	C3	A	3	C3-R825A-AA18055A	32.00	2.00	55.00	63.50	4.50	18.00	70	0.232
.748	.906					1.260	.079	2.165	2.500	.177	.709	1015	
19.00	23.00	C3	A	3	C3-R825A-AA18078A	32.00	2.00	78.00	86.50	4.50	18.00	70	0.282
.748	.906					1.260	.079	3.071	3.406	.177	.709	1015	
23.00	29.00	C3	A	3	C3-R825A-AAA065A	32.00	3.00	65.00	73.50	6.50	20.00	70	0.306
.906	1.142					1.260	.118	2.559	2.894	.256	.787	1015	
23.00	29.00	C3	A	3	C3-R825A-AAA094A	32.00	3.00	94.00	102.50	6.50	20.00	70	0.378
.906	1.142					1.260	.118	3.701	4.035	.256	.787	1015	
23.00	29.00	C4	A	3	C4-R825A-AAA074A	40.00	3.00	74.00	82.50	6.50	20.00	70	0.473
.906	1.142					1.575	.118	2.913	3.248	.256	.787	1015	
23.00	29.00	C4	A	3	C4-R825A-AAA103A	40.00	3.00	103.00	111.50	6.50	20.00	70	0.552
.906	1.142					1.575	.118	4.055	4.390	.256	.787	1015	
28.00	36.00	C3	A	3	C3-R825A-AAB072A	32.00	4.00	72.00	80.50	9.00	25.00	70	0.389
1.102	1.417					1.260	.157	2.835	3.169	.354	.984	1015	
28.00	36.00	C3	A	3	C3-R825A-AAB106A	32.00	4.00	106.00	114.50	9.00	25.00	70	0.531
1.102	1.417					1.260	.157	4.173	4.508	.354	.984	1015	
28.00	36.00	C4	A	3	C4-R825A-AAB084A	40.00	4.00	84.00	92.50	9.00	25.00	70	0.590
1.102	1.417					1.575	.157	3.307	3.642	.354	.984	1015	
28.00	36.00	C4	A	3	C4-R825A-AAB120A	40.00	4.00	120.00	128.50	9.00	25.00	70	0.744
1.102	1.417					1.575	.157	4.724	5.059	.354	.984	1015	
35.00	45.00	C3	B	3	C3-R825B-AAC031A	32.00	5.00	31.00	45.00	10.50	32.00	70	0.286
1.378	1.772					1.260	.197	1.220	1.772	.413	1.260	1015	
35.00	45.00	C4	B	3	C4-R825B-AAC066A	40.00	5.00	66.00	80.00	10.50	32.00	70	0.629
1.378	1.772					1.575	.197	2.598	3.150	.413	1.260	1015	
44.00	56.00	C4	B	3	C4-R825B-AAD039A	40.00	6.00	39.00	53.00	15.00	40.00	70	0.550
1.732	2.205					1.575	.236	1.535	2.087	.591	1.575	1015	
44.00	56.00	C5	B	3	C5-R825B-AAD081A	50.00	6.00	81.00	95.00	15.00	40.00	70	1.100
1.732	2.205					1.969	.236	3.189	3.740	.591	1.575	1015	
55.00	70.00	C5	C	3	C5-R825C-AAE043A	50.00	7.50	43.00	62.00	17.50	50.00	70	0.980
2.165	2.756					1.969	.295	1.693	2.441	.689	1.969	1015	
55.00	70.00	C6	C	3	C6-R825C-AAE097A	63.00	7.50	97.00	116.00	17.50	50.00	70	2.184
2.165	2.756					2.480	.295	3.819	4.567	.689	1.969	1015	
69.00	87.00	C5	C	3	C5-R825C-AAF047A	50.00	9.00	47.00	66.00	24.50	63.00	70	1.426
2.717	3.425					1.969	.354	1.850	2.598	.965	2.480	1015	
69.00	87.00	C6	C	3	C6-R825C-AAF055A	63.00	9.00	55.00	74.00	24.50	63.00	70	1.951
2.717	3.425					2.480	.354	2.165	2.913	.965	2.480	1015	
86.00	107.00	C5	C	3	C5-R825C-AAG053A	50.00	10.50	53.00	72.00	33.00	80.00	70	2.028
3.386	4.213					1.969	.413	2.087	2.835	1.299	3.150	1015	
86.00	107.00	C6	C	3	C6-R825C-AAG067A	63.00	10.50	67.00	86.00	33.00	80.00	70	2.681
3.386	4.213					2.480	.413	2.638	3.386	1.299	3.150	1015	
106.00	137.00	C6	C	3	C6-R825C-AAH067A	63.00	15.50	67.00	86.00	43.00	100.00	70	3.090
4.173	5.394					2.480	.610	2.638	3.386	1.693	3.937	1015	
106.00	137.00	C8	C	3	C8-R825C-AAH077A	80.00	15.50	77.00	96.00	43.00	100.00	70	4.450
4.173	5.394					3.150	.610	3.032	3.780	1.693	3.937	1015	
136.00	167.00	C6	C	3	C6-R825C-AAI067A	63.00	15.50	67.00	86.00	58.00	130.00	70	3.798
5.354	6.575					2.480	.610	2.638	3.386	2.283	5.118	1015	

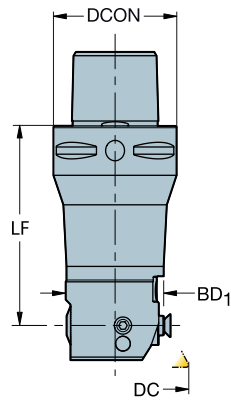


289



282

Coromant Capto® to CoroBore® 825 tool body



					Dimensions, mm, inch								
DCN	DCX	CZC _{MS}	CZC _{MS}	CNSC	Ordering code	DCON _{MS}	ADJLX _{RDL}	LF	LPR	WF	BD ₁	BAR PSI	KG
136.00	167.00	C8	C	3	C8-R825C-AAI077A	80.00	15.50	77.00	96.00	58.00	130.00	70	5.040
5.354	6.575					3.150	.610	3.032	3.780	2.283	5.118	1015	

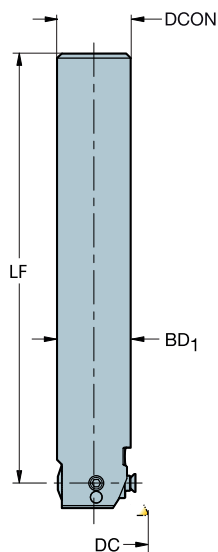


289



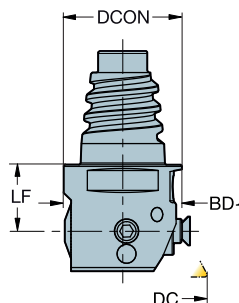
282

Cylindrical shank to CoroBore® 825 tool body



					Dimensions, mm, inch									
DCN	DCX	CZC _{MS}	CZC _{WS}	CNSC	Ordering code	DCON _{MS}	ADJLX _{RDL}	LF	LPR	WF	BD ₁	(BAR PSI)	(KG)	
19.00 .748	23.00 .906	18	A	1	A18-R825A-A18116-RA	18.00 .709	2.00 .079	117.00 4.606	125.50 4.941	4.50 .177	18.00 .709	70	0.257	
23.00 .906	29.00 1.142	20	A	1	A20-R825A-AA120-RA	20.00 .787	3.00 .118	121.00 4.764	129.50 5.098	6.50 .256	20.00 .787	70	0.340	
28.00 1.102	36.00 1.417	25	A	1	A25-R825A-AB146-RA	25.00 .984	4.00 .157	147.00 5.787	155.50 6.122	9.00 .354	25.00 .984	70	0.620	

Coromant EH to CoroBore® 825 tool body



					Dimensions, mm, inch									
DCN	DCX	CZC _{MS}	CZC _{WS}	CNSC	Ordering code	DCON _{MS}	ADJLX _{RDL}	LF	LPR	WF	BD ₁	(BAR PSI)	(KG)	
19.00 .748	23.00 .906	E16	A	1	EH16-R825A-AA18014	15.50 .610	2.00 .079	14.00 .551	22.50 .886	4.50 .177	18.00 .709	70	0.110	
23.00 .906	29.00 1.142	E20	A	1	EH20-R825A-AAA014	19.30 .760	3.00 .118	14.00 .551	22.50 .886	6.50 .256	20.00 .787	70	0.133	
28.00 1.102	36.00 1.417	E25	A	1	EH25-R825A-AAB014	24.20 .953	4.00 .157	14.00 .551	22.50 .886	9.00 .354	25.00 .984	70	0.171	



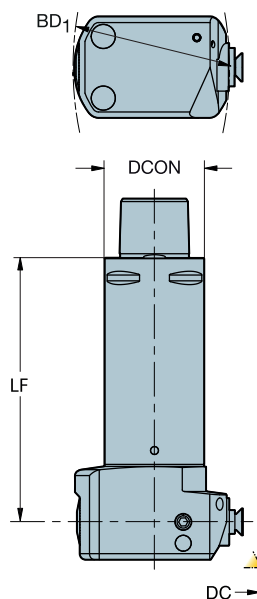
289



282

Coromant Capto® to CoroBore® 825 lightweight tool body

ENG



						Dimensions, mm, inch									
DCN	DCX	CZC _{MS}	CZC _{WS}	CNSC	Ordering code	DCON _{MS}	ADJLX _{RDL}	LF	LPR	WF	BD ₁	$\frac{\text{BAR}}{\text{PSI}}$	KG		
69.00	87.00	C5	C	3	C5-R825C-LAF127	50.00	9.00	127.00	146.00	24.50	63.00	70	1.580		
2.717	3.425					1.969	.354	5.000	5.748	.965	2.480	1015			
86.00	107.00	C5	C	3	C5-R825C-LAG133	50.00	10.50	133.00	152.00	33.00	80.00	70	1.666		
3.386	4.213					1.969	.413	5.236	5.984	1.299	3.150	1015			
106.00	137.00	C6	C	3	C6-R825C-LAH167	63.00	15.50	167.00	186.00	43.00	100.00	70	3.290		
4.173	5.394					2.480	.610	6.575	7.323	1.693	3.937	1015			
106.00	137.00	C8	C	3	C8-R825C-LAH177	80.00	15.50	177.00	196.00	43.00	100.00	70	4.138		
4.173	5.394					3.150	.610	6.969	7.717	1.693	3.937	1015			
136.00	167.00	C8	C	3	C8-R825C-LAH177	80.00	15.50	177.00	196.00	58.00	130.00	70	4.375		
5.354	6.575					3.150	.610	6.969	7.717	2.283	5.118	1015			

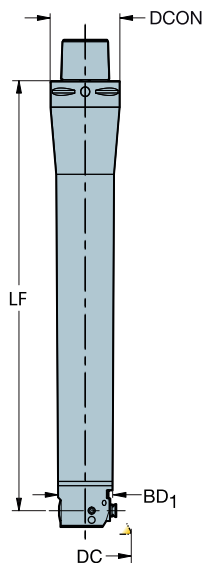


289



282

Coromant Capto® to CoroBore® 825 damped tool body



				Dimensions, mm, inch							
CZC _{MS}	CZC _{MS}	CNSC	Ordering code	DCON _{MS}	ADJLX _{RDL}	LF	WF	BD ₁	BAR PSI	KG	
C3	A	3	C3-R825A-FAB205	32.00	4.00	205.00	9.00	25.00	70	0.950	
				1.260	.157	8.071	.354	.984	1015		
C3	B	3	C3-R825B-FAC204	32.00	5.00	204.00	10.50	32.00	70	1.460	
				1.260	.197	8.032	.413	1.260	1015		
C4	A	3	C4-R825A-FA18152	40.00	2.00	152.00	4.50	18.00	70	0.550	
				1.575	.079	5.984	.177	.709	1015		
C4	A	3	C4-R825A-FAA188	40.00	3.00	188.00	6.50	20.00	70	0.710	
				1.575	.118	7.402	.256	.787	1015		
C4	B	3	C4-R825B-FAC253	40.00	5.00	253.00	10.50	32.00	70	1.900	
				1.575	.197	9.961	.413	1.260	1015		
C4	B	3	C4-R825B-FAD203	40.00	6.00	203.00	15.00	40.00	70	2.100	
				1.575	.236	7.992	.591	1.575	1015		
C5	B	3	C5-R825B-FAD319	50.00	6.00	319.00	15.00	40.00	70	3.720	
				1.969	.236	12.559	.591	1.575	1015		
C5	C	3	C5-R825C-FAE277	50.00	7.50	277.00	17.50	50.00	70	4.900	
				1.969	.295	10.906	.689	1.969	1015		
C6	B	3	C6-R825B-FAC280	63.00	5.00	280.00	10.50	32.00	70	2.550	
				2.480	.197	11.024	.413	1.260	1015		
C6	B	3	C6-R825B-FAD346	63.00	6.00	346.00	15.00	40.00	70	4.360	
				2.480	.236	13.622	.591	1.575	1015		
C6	C	3	C6-R825C-FAE377	63.00	7.50	377.00	17.50	50.00	70	6.750	
				2.480	.295	14.843	.689	1.969	1015		
C6	C	3	C6-R825C-FAF377	63.00	9.00	377.00	24.50	63.00	70	9.620	
				2.480	.354	14.843	.965	2.480	1015		
C6	C	3	C6-R825C-FAG377	63.00	10.50	377.00	33.00	80.00	70	9.690	
				2.480	.413	14.843	1.299	3.150	1015		
C6	C	3	C6-R825C-FAH377	63.00	15.50	377.00	43.00	100.00	70	9.770	
				2.480	.610	14.843	1.693	3.937	1015		
C8	C	3	C8-R825C-FAF477	80.00	9.00	477.00	24.50	63.00	70	12.830	
				3.150	.354	18.780	.965	2.480	1015		
C8	C	3	C8-R825C-FAG387	80.00	10.50	387.00	33.00	80.00	70	15.630	
				3.150	.413	15.236	1.299	3.150	1015		
C8	C	3	C8-R825C-FAG477	80.00	10.50	477.00	33.00	80.00	70	18.050	
				3.150	.413	18.780	1.299	3.150	1015		
C8	C	3	C8-R825C-FAH387	80.00	15.50	387.00	43.00	100.00	70	15.720	
				3.150	.610	15.236	1.693	3.937	1015		
C8	C	3	C8-R825C-FAH477	80.00	15.50	477.00	43.00	100.00	70	18.160	
				3.150	.610	18.780	1.693	3.937	1015		
C8	C	3	C8-R825C-FAI477	80.00	15.50	477.00	58.00	130.00	70	18.320	
				3.150	.610	18.780	2.283	5.118	1015		



289

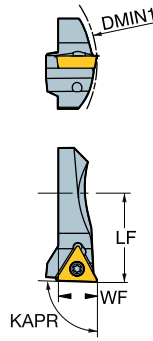
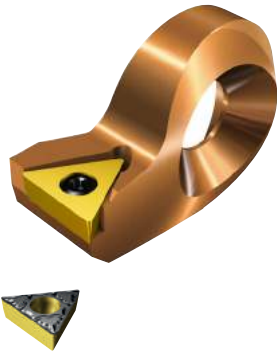


282

Cartridge for CoroBore® 825

KAPR

92°



- TCMT, TCMX, TCGT, TCGX, TCEX
- TCMW

				Dimensions, mm, inch					
DMIN ₁		CZC _{MS}	Ordering code	LF	WF		CICT	MIID	
19.0	06	5/32	A	R825A-AF11STUC06T1A	11.00	5.00	0.018	1	TCMT 06 T1 02
.748					.433	.197			
19.0	06	5/32	A	R825A-AF11STUP06T1A	11.00	5.00	0.017	1	TPMT 06 T1 02
.748					.433	.197			
35.0	09	7/32	B	R825B-AF17STUC0902A	17.00	7.00	0.024	1	TCMT 09 02 04
1.378					.669	.276			
35.0	09	7/32	B	R825B-AF17STUP0902A	17.00	7.00	0.023	1	TPMT 09 02 04
1.378					.669	.276			
55.0	11	1/4	C	R825C-AF23STUC1102A	23.00	10.00	0.039	1	TCMT 11 02 04
2.165					.906	.394			
55.0	11	1/4	C	R825C-AF23STUC1103A	23.00	10.00	0.039	1	TCMT 11 03 04
2.165					.906	.394			
55.0	11	1/4	C	R825C-AF23STUP1103A	23.00	10.00	0.037	1	TPMT 11 03 04
2.165					.906	.394			



289

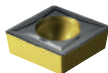
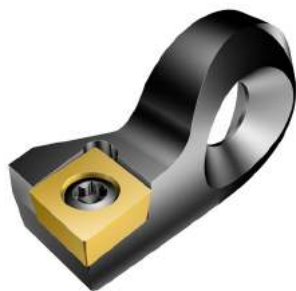


282

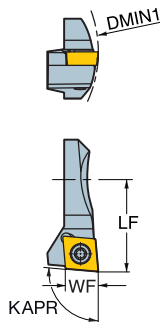
Cartridge for CoroBore® 825

KAPR

95°



-  CCMT, CCGT
CCGX, CCET
-  CCMW



		Dimensions, mm, inch			
DMIN ₁	CZC _{MS}	Ordering code	LF	WF	MIID
55.0 2.165	09 3/8	R825C-AF27SCLC09T3	27.00 1.063	10.00 .394	CCMT 09 T3 04



Cartridge for CoroBore® 825 Silent Tools

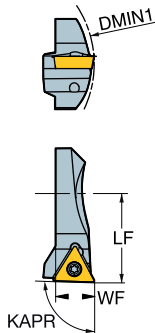
Backboring only

KAPR

92°



-  TCMT, TCMX,
TCGT, TCGX
TCEX
-  TCMW



		Dimensions, mm, inch			
DMIN ₁	CZC _{MS}	Ordering code	LF	WF	MIID
25.0 .984	06 5/32	L825A-AF11STUC06T1	11.00 .433	8.00 .315	TCMT 06 T1 02
40.8 1.606	06 5/32	L825B-AF15STUC06T1	15.00 .591	9.90 .390	TCMT 06 T1 02
59.4 2.339	09 7/32	L825C-AF20STUC0902	20.00 .787	12.20 .480	TCMT 09 02 04



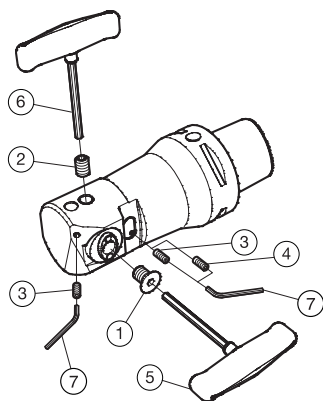
289



282

Spare parts

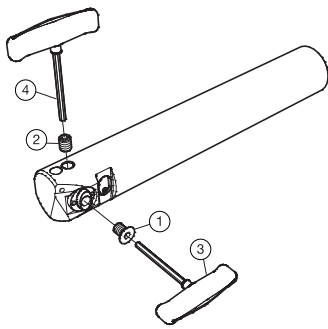
Coromant Capto® to CoroBore® 825 tool body



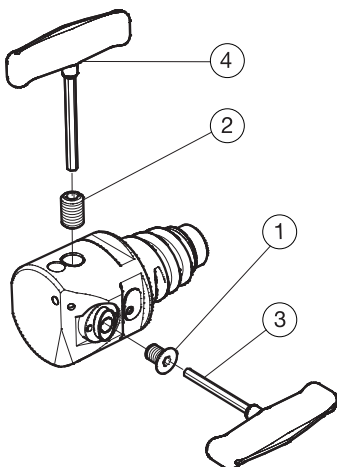
Spare parts				
	1	2	3	4
Ordering code	Screw for cartridge	Locking screw	Coolant screw	Nozzle
C3-R825A-AA18055A	5513 010-06	5519 026-09	3214 010-100	
C3-R825A-AA18078A	5513 010-06	5519 026-09	3214 010-100	
C3-R825A-AAA065A	5513 010-06	5519 026-09	3214 010-100	
C3-R825A-AAA094A	5513 010-06	5519 026-09	3214 010-100	
C4-R825A-AAA074A	5513 010-06	5519 026-09	3214 010-100	
C4-R825A-AAA103A	5513 010-06	5519 026-09	3214 010-100	
C3-R825A-AAB072A	5513 010-06	5519 026-11	3214 010-100	
C3-R825A-AAB106A	5513 010-06	5519 026-11	3214 010-100	
C4-R825A-AAB084A	5513 010-06	5519 026-11	3214 010-100	
C4-R825A-AAB120A	5513 010-06	5519 026-11	3214 010-100	
C3-R825B-AAC031A	5513 010-07	5519 026-12	3214 010-100	
C4-R825B-AAC066A	5513 010-07	5519 026-12	3214 010-100	
C4-R825B-AAD039A	5513 010-07	437.5-822	3214 010-100	
C5-R825B-AAD081A	5513 010-07	437.5-822	3214 010-100	
C5-R825C-AAE043A	5513 010-08	5519 026-10	3214 010-202	
C6-R825C-AAE097A	5513 010-08	5519 026-10	3214 010-202	
C5-R825C-AAF047A	5513 010-08	470-872	3214 010-202	
C6-R825C-AAF055A	5513 010-08	470-872	3214 010-202	
C5-R825C-AAG053A	5513 010-08	470-873	3214 010-202	
C6-R825C-AAG067A	5513 010-08	470-873	3214 010-202	
C6-R825C-AAH067A	5513 010-08	470-873		5514 042-07
C8-R825C-AAH077A	5513 010-08	470-873		5514 042-07
C6-R825C-AAI067A	5513 010-08	470-873		5514 042-07
C8-R825C-AAI077A	5513 010-08	470-873		5514 042-07
Accessories				
	5	6	7	
Ordering code	Key	Key	Key	
C3-R825A-AA18055A	5680 012-02			
C3-R825A-AA18078A	5680 012-02			
C3-R825A-AAA065A	5680 012-02			
C3-R825A-AAA094A	5680 012-02			
C4-R825A-AAA074A	5680 012-02			
C4-R825A-AAA103A	5680 012-02			
C3-R825A-AAB072A	5680 012-02			
C3-R825A-AAB106A	5680 012-02	265.2-815		
C4-R825A-AAB084A	5680 012-02	265.2-815		
C4-R825A-AAB120A	5680 012-02	265.2-815		
C3-R825B-AAC031A	265.2-817			
C4-R825B-AAC066A	265.2-817			
C4-R825B-AAD039A	265.2-817			
C5-R825B-AAD081A	265.2-817			
C5-R825C-AAE043A	265.2-821		3021 012-015	
C6-R825C-AAE097A	265.2-821		3021 012-015	
C5-R825C-AAF047A	265.2-821		3021 012-015	
C6-R825C-AAF055A	265.2-821		3021 012-015	
C5-R825C-AAG053A	265.2-821		3021 012-015	
C6-R825C-AAG067A	265.2-821		3021 012-015	
C6-R825C-AAH067A	265.2-821		3021 012-020	
C8-R825C-AAH077A	265.2-821		3021 012-020	
C6-R825C-AAI067A	265.2-821		3021 012-020	
C8-R825C-AAI077A	265.2-821		3021 012-020	

Spare parts

Cylindrical shank to CoroBore® 825 tool body



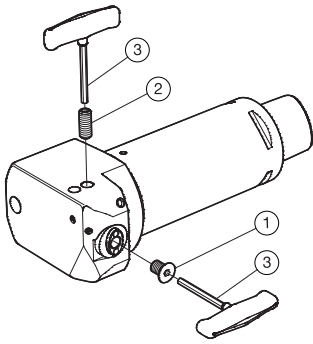
	Spare parts		Accessories	
	1	2	3	4
Ordering code	Screw for cartridge	Locking screw	Key	Key
A18-R825A-A18116-RA	5513 010-06	5519 026-09	5680 012-02	
A20-R825A-AA120-RA	5513 010-06	5519 026-09	5680 012-02	
A25-R825A-AB146-RA	5513 010-06	5519 026-11	5680 012-02	265.2-815



	Spare parts		Accessories	Included parts
	1	2	3	4
Ordering code	Screw for cartridge	Clamping screw	Key	Key
EH16-R825A-AA18014	5513 010-06	5519 026-09		5680 012-02
EH20-R825A-AAA014	5513 010-06	5519 026-09	5680 012-02	
EH25-R825A-AAB014	5513 010-06	5519 026-11	5680 012-02	265.2-815

Spare parts

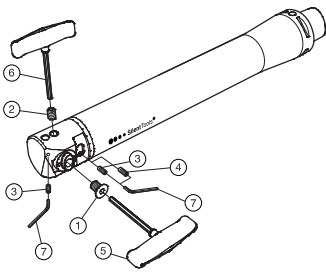
Coromant Capto® to CoroBore® 825 lightweight tool body



	Spare parts		Accessories
	1	2	3
Ordering code	Screw for cartridge	Clamping screw	Key
C5-R825C-LAF127	5513 010-08	5519 026-10	265.2-821
C5-R825C-LAG133	5513 010-08	5519 026-10	265.2-821
C6-R825C-LAH167	5513 010-08	470-873	265.2-821
C8-R825C-LAH177	5513 010-08	470-873	265.2-821
C8-R825C-LAI177	5513 010-08	470-873	265.2-821

Spare parts

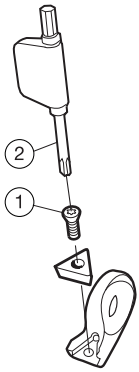
Coromant Capto® to CoroBore® 825 damped tool body



Spare parts					
	1	2	3	4	
Ordering code	Screw for cartridge	Locking screw	Coolant screw	Nozzle	
C3-R825A-FAB205	5513 010-06	5519 026-11	3214 010-100		
C3-R825B-FAC204	5513 010-07	5519 026-12	3214 010-100		
C4-R825A-FA18152	5513 010-06	5519 026-09	3214 010-100		
C4-R825A-FAA188	5513 010-06	5519 026-09	3214 010-100		
C4-R825B-FAC253	5513 010-07	5519 026-12	3214 010-100		
C4-R825B-FAD203	5513 010-07	437.5-822	3214 010-100		
C5-R825B-FAD319	5513 010-07	437.5-822	3214 010-100		
C5-R825C-FAE277	5513 010-08	5519 026-10	3214 010-202		
C6-R825B-FAC280	5513 010-07	5519 026-12	3214 010-100		
C6-R825B-FAD346	5513 010-07	437.5-822	3214 010-100		
C6-R825C-FAE377	5513 010-08	5519 026-10	3214 010-202		
C6-R825C-FAF377	5513 010-08	5519 026-06	3214 010-202		
C6-R825C-FAG377	5513 010-08	5519 026-06	3214 010-202		
C6-R825C-FAH377	5513 010-08	5519 026-06	3214 010-252	5514 042-07	
C8-R825C-FAF477	5513 010-08	5519 026-06	3214 010-202		
C8-R825C-FAG387	5513 010-08	5519 026-06	3214 010-202		
C8-R825C-FAG477	5513 010-08	5519 026-06	3214 010-202		
C8-R825C-FAH387	5513 010-08	5519 026-06	3214 010-252	5514 042-07	
C8-R825C-FAH477	5513 010-08	5519 026-06	3214 010-252	5514 042-07	
C8-R825C-FAI477	5513 010-08	5519 026-06	3214 010-252	5514 042-07	
Accessories					
	5	6	7		
Ordering code	Key	Key	Key		
C3-R825A-FAB205	5680 012-02	265.2-815			
C3-R825B-FAC204	265.2-817				
C4-R825A-FA18152	5680 012-02				
C4-R825A-FAA188	5680 012-02				
C4-R825B-FAC253	265.2-817				
C4-R825B-FAD203	265.2-817				
C5-R825B-FAD319	265.2-817				
C5-R825C-FAE277	265.2-821		3021 012-015		
C6-R825B-FAC280	265.2-817				
C6-R825B-FAD346	265.2-817				
C6-R825C-FAE377	265.2-821		3021 012-015		
C6-R825C-FAF377	265.2-821		3021 012-015		
C6-R825C-FAG377	265.2-821		3021 012-015		
C6-R825C-FAH377	265.2-821		3021 012-020		
C8-R825C-FAF477	265.2-821		3021 012-015		
C8-R825C-FAG387	265.2-821		3021 012-015		
C8-R825C-FAG477	265.2-821		3021 012-015		
C8-R825C-FAH387	265.2-821		3021 012-020		
C8-R825C-FAH477	265.2-821		3021 012-020		
C8-R825C-FAI477	265.2-821		3021 012-020		

Spare parts

Cartridge for CoroBore® 825



	Spare parts	Accessories	
	1	2	
Ordering code	Insert screw	Key	
R825A-AF11STUC06T1A	5513 020-28	5680 051-01	
R825A-AF11STUP06T1A	5513 020-28	5680 051-01	
R825B-AF17STUC0902A	5513 020-05	5680 051-02	
R825B-AF17STUP0902A	5513 020-05	5680 051-02	
R825C-AF23STUC1102A	5513 020-03	5680 051-02	
R825C-AF23STUC1103A	5513 020-03	5680 051-02	
R825C-AF23STUP1103A	5513 020-03	5680 051-02	
R825C-AF27SCLC09T3	5513 020-09	5680 049-02	

	Spare parts	Accessories	
	1	2	
Ordering code	Insert screw	Key	
L825A-AF11STUC06T1	5513 020-28	5680 051-01	
L825B-AF15STUC06T1	5513 020-28	5680 051-01	
L825C-AF20STUC0902	5513 020-05	5680 051-02	

CoroBore® 825 XL/CoroBore® 826 XL

Fine boring tool for large diameters

Application

- Fine boring
- Back boring
- External operations

ISO application area



Benefits and features

- Reliable system with rigid interfaces between head and cartridge for stable and vibration-free boring
- Dedicated tool holders optimized for large diameter boring
- Close hole tolerances (up to IT5 for CoroBore 826)
- Cartridge designed for highest stability
- Cutting fluid through the tool
- Diameter 298-1275 mm (11.732-50.197 inch) is made of high strength aluminium, which reduces assembly weight
- Hard coated for surface protection
- Use slide extensions for radial adjustment and back boring
- Strong modular base for building assemblies in different application (rough boring, fine boring, face grooving, spiro grooving and interpolation turning)



www.sandvik.coromant.com/corobore825



Tools

Couplings:

- Coromant Capto®
- Arbor

Inserts

Standard inserts with dedicated grades and geometries for all materials

- CoroTurn® 107

Diameter adjustment:

825 - Adjusts diameter 0.002 mm (.000079 inch) with a nonius scale. A 360° turn change diameter by 0.5 mm (.020 inch).

826 - Each click adjusts diameter 0.002 mm (.000079 inch). A 360° turn change diameter by 0.1 mm (.0039 inch). Total diameter change on fine boring head 1.3 mm (.051 inch).

High precision coolant nozzle for precise coolant flow to cutting edge



Available as lightweight tools. Bore large diameters without increasing the tool weight.



Use the same bridge/bridge extension for roughing and finishing from diameter 150 mm (5.906 inch) (counterweight needed for finishing).



Use slide extensions for radial adjustment and back boring



CoroBore® 825 XL fine boring tool

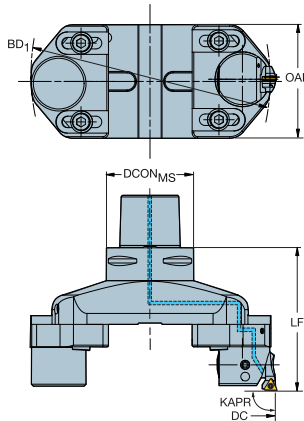
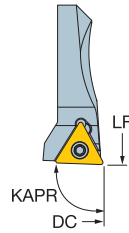
Coromant Capto® - Internal coolant supply



- TCMT, TCMX, TCGT, TCGX, TCEX
- TCMW

KAPR

92°



		Dimensions, mm, inch													
DCN	DCX			CZC _{MS}	CNSC	Ordering code	DCON _{MS}	ADJL _{RDL}	LF	OAH	BD ₁			CICT	MIID
148.00	215.00	11	1/4	C6	3	825-215TC11-C6	63.00	33.50	118.00	104.00	145.00	70	4.534	1	TCMT 11 03 04
5.827	8.465						2.480	1.319	4.646	4.094	5.709	1015			
148.00	215.00	11	1/4	C8	3	825-215TC11-C8	80.00	33.50	130.00	104.00	145.00	70	7.500	1	TCMT 11 03 04
5.827	8.465						3.150	1.319	5.118	4.094	5.709	1015			
148.00	215.00	11	1/4	C10	3	825-215TC11-C10	100.00	33.50	136.00	104.00	145.00	70	9.460	1	TCMT 11 03 04
5.827	8.465						3.937	1.319	5.354	4.094	5.709	1015			
198.00	265.00	11	1/4	C6	3	825-265TC11-C6	63.00	33.50	118.00	104.00	195.00	70	4.750	1	TCMT 11 03 04
7.795	10.433						2.480	1.319	4.646	4.094	7.677	1015			
198.00	265.00	11	1/4	C8	3	825-265TC11-C8	80.00	33.50	130.00	104.00	195.00	70	9.100	1	TCMT 11 03 04
7.795	10.433						3.150	1.319	5.118	4.094	7.677	1015			
198.00	265.00	11	1/4	C10	3	825-265TC11-C10	100.00	33.50	136.00	104.00	195.00	70	10.850	1	TCMT 11 03 04
7.795	10.433						3.937	1.319	5.354	4.094	7.677	1015			
248.00	315.00	11	1/4	C6	3	825-315TC11-C6	63.00	33.50	118.00	104.00	245.00	70	5.400	1	TCMT 11 03 04
9.764	12.402						2.480	1.319	4.646	4.094	9.646	1015			
248.00	315.00	11	1/4	C8	3	825-315TC11-C8	80.00	33.50	130.00	104.00	245.00	70	10.350	1	TCMT 11 03 04
9.764	12.402						3.150	1.319	5.118	4.094	9.646	1015			
248.00	315.00	11	1/4	C10	3	825-315TC11-C10	100.00	33.50	136.00	104.00	245.00	70	12.570	1	TCMT 11 03 04
9.764	12.402						3.937	1.319	5.354	4.094	9.646	1015			

Diameters are valid when frontboring.

For more information about external boring, see page 271

For more information about backboring, see page 269

For more information about use of slide extensions, see page 268

For inserts, see Turning tools catalogue

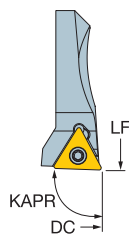


CoroBore® 826 XL fine boring tool

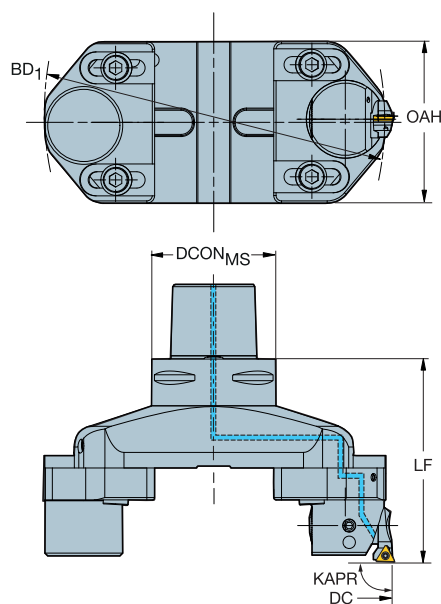
Coromant Capto® - Internal coolant supply



KAPR
STDNO



92°
ISO26623-1



- TCMT, TCMX, TCGT, TCGX, TCEX
- TCMW

						Dimensions, mm, inch										
DCN	DCX			CZC _{MS}	CNSC	Ordering code	DCON _{MS}	ADJLX _{PDL}	LF	OAH	BD ₁			CICT	MIID	
154.35	207.65	11	1/4	C6	3	826-207TC11-C6HP	63.00	26.65	125.00	104.00	145.00	70	3.560	1	TCMT 11 03 04	
6.077	8.175						2.480	1.049	4.921	4.094	5.709	1015				
154.35	207.65	11	1/4	C8	3	826-207TC11-C8HP	80.00	26.65	137.00	104.00	145.00	70	6.430	1	TCMT 11 03 04	
6.077	8.175						3.150	1.049	5.394	4.094	5.709	1015				
204.35	257.65	11	1/4	C6	3	826-257TC11-C6HP	63.00	26.65	125.00	104.00	195.00	70	3.880	1	TCMT 11 03 04	
8.045	10.144						2.480	1.049	4.921	4.094	7.677	1015				
204.35	257.65	11	1/4	C8	3	826-257TC11-C8HP	80.00	26.65	137.00	104.00	195.00	70	7.630	1	TCMT 11 03 04	
8.045	10.144						3.150	1.049	5.394	4.094	7.677	1015				
254.35	307.65	11	1/4	C6	3	826-307TC11-C6HP	63.00	26.65	125.00	104.00	245.00	70	4.240	1	TCMT 11 03 04	
10.014	12.112						2.480	1.049	4.921	4.094	9.646	1015				
254.35	307.65	11	1/4	C8	3	826-307TC11-C8HP	80.00	26.65	137.00	104.00	245.00	70	8.720	1	TCMT 11 03 04	
10.014	12.112						3.150	1.049	5.394	4.094	9.646	1015				

Diameters are valid when frontboring.

Backboring is not recommended with CoroBore® 826

For more information about use of slide extensions, see page 268

For more information about external boring, see page 271

For inserts, see Turning tools catalogue



263



289



282



273

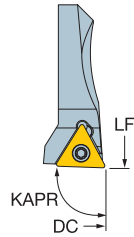
CoroBore® 825 XL lightweight fine boring tool

Arbor - Internal coolant supply

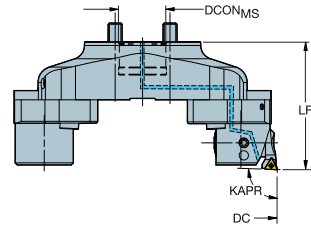
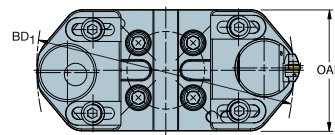


- TCMT, TCMX, TCGT, TCGX, TCEX
- TCMW

KAPR



92°



							Dimensions, mm, inch									
DCN	DCX			CZC _{MS}	CNSC	Ordering code	DCON _{MS}	ISO	ADJLX _{RDL}	LF	OAH	BD ₁			CICT	MIID
148.00	215.00	11	1/4	40S	1	825L-215TC11	40.00	C	33.50	110.00	104.00	145.00	70	4.450	1	TCMT 11 03 04
5.827	8.465						1.575		1.319	4.331	4.094	5.709	1015			
198.00	265.00	11	1/4	40S	1	825L-265TC11	40.00	C	33.50	110.00	104.00	195.00	70	4.920	1	TCMT 11 03 04
7.795	10.433						1.575		1.319	4.331	4.094	7.677	1015			
248.00	315.00	11	1/4	40S	1	825L-315TC11	40.00	C	33.50	110.00	104.00	245.00	70	5.370	1	TCMT 11 03 04
9.764	12.402						1.575		1.319	4.331	4.094	9.646	1015			

Use with 40S facemill holders, for example: C8-391.05-40 060M. To be ordered separately.

Diameters are valid when frontboring.

For more information about backboring, see page 269

For more information about use of slide extensions, see page 268

For more information about external boring, see page 271

For inserts, see Turning tools catalogue



CoroBore® 826 XL lightweight fine boring tool

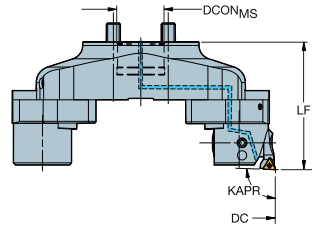
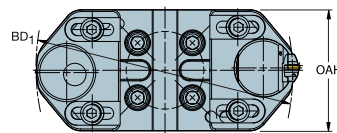
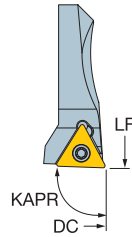
Arbor - Internal coolant supply



- TCMT, TCMX, TCGT, TCGX, TCEX
- TCMW

KAPR

92°



Dimensions, mm, inch

DCN	DCX		CZC _{MS}	CNSC	Ordering code	DCON _{MS}	ISO	ADJLX _{RDL}	LF	OAH	BD ₁			CICT	MIID
154.35	207.65	11 1/4	40S	1	826L-207TC11HP	40.00	C	26.65	117.00	104.00	145.00	70	3.310	1	TCMT 11 03 04
6.077	8.175					1.575		1.049	4.606	4.094	5.709	1015			
204.35	257.65	11 1/4	40S	1	826L-257TC11HP	40.00	C	26.65	117.00	104.00	195.00	70	3.650	1	TCMT 11 03 04
8.045	10.144					1.575		1.049	4.606	4.094	7.677	1015			
254.35	307.65	11 1/4	40S	1	826L-307TC11HP	40.00	C	26.65	117.00	104.00	245.00	70	4.320	1	TCMT 11 03 04
10.014	12.112					1.575		1.049	4.606	4.094	9.646	1015			

Use with 40S facemill holders, for example: C8-391.05-40 060M. To be ordered separately.

Backboring is not recommended with CoroBore® 826

For more information about external boring, see page 271

For more information about use of slide extensions, see page 268

Diameters are valid when frontboring.

For inserts, see Turning tools catalogue



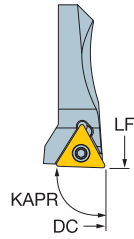
CoroBore® 825 XL lightweight fine boring tool

Coromant Capto® - Internal coolant supply

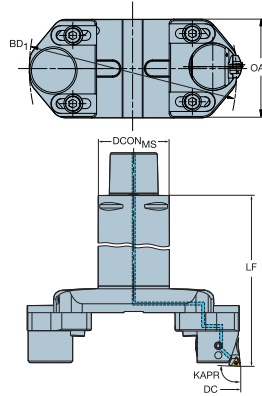


- TCMT, TCMX, TCGT, TCGX, TCEX
- TCMW

KAPR



92°



		Dimensions, mm, inch													
DCN	DCX			CZC _{MS}	CNSC	Ordering code	DCON _{MS}	ADJLX _{ADL}	LF	OAH	BD ₁			CICT	MIID
148.00	215.00	11	1/4	C8	3	825L-215TC11-C8	80.00	33.50	230.00	104.00	145.00	70	7.640	1	TCMT 11 03 04
5.827	8.465						3.150	1.319	9.055	4.094	5.709	1015			
198.00	265.00	11	1/4	C8	3	825L-265TC11-C8	80.00	33.50	230.00	104.00	195.00	70	8.320	1	TCMT 11 03 04
7.795	10.433						3.150	1.319	9.055	4.094	7.677	1015			
248.00	315.00	11	1/4	C8	3	825L-315TC11-C8	80.00	33.50	230.00	104.00	245.00	70	8.680	1	TCMT 11 03 04
9.764	12.402						3.150	1.319	9.055	4.094	9.646	1015			

Diameters are valid when frontboring.

For more information about external boring, see page 271

For more information about backboring, see page 269

For more information about use of slide extensions, see page 268

For inserts, see Turning tools catalogue



CoroBore® 826 XL lightweight fine boring tool

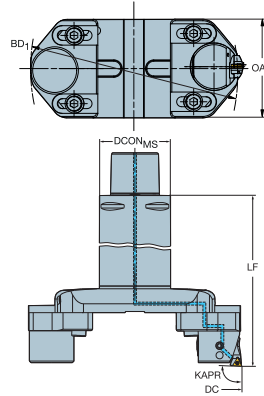
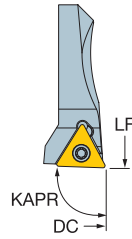
Coromant Capto® - Internal coolant supply



- TCMT, TCMX, TCGT, TCGX, TCEX
- TCMW

KAPR

92°



Dimensions, mm, inch

DCN	DCX			CZC _{MS}	CNSC	Ordering code	DCN _{MS}	ADJLX _{FDL}	LF	OAH	BD ₁			CICT	MIID
154.35	207.65	11	1/4	C8	3	826L-207TC11-C8HP	80.00	26.65	237.00	104.00	145.00	70	6.300	1	TCMT 11 03 04
<i>6.077</i>	<i>8.175</i>						<i>3.150</i>	<i>1.049</i>	<i>9.331</i>	<i>4.094</i>	<i>5.709</i>	<i>1015</i>			
204.35	257.65	11	1/4	C8	3	826L-257TC11-C8HP	80.00	26.65	237.00	104.00	195.00	70	6.660	1	TCMT 11 03 04
<i>8.045</i>	<i>10.144</i>						<i>3.150</i>	<i>1.049</i>	<i>9.331</i>	<i>4.094</i>	<i>7.677</i>	<i>1015</i>			
254.35	307.65	11	1/4	C8	3	826L-307TC11-C8HP	80.00	26.65	237.00	104.00	245.00	70	7.030	1	TCMT 11 03 04
<i>10.014</i>	<i>12.112</i>						<i>3.150</i>	<i>1.049</i>	<i>9.331</i>	<i>4.094</i>	<i>9.646</i>	<i>1015</i>			

Backboring is not recommended with CoroBore® 826

For more information about external boring, see page 271

For more information about use of slide extensions, see page 268

Diameters are valid when frontboring.

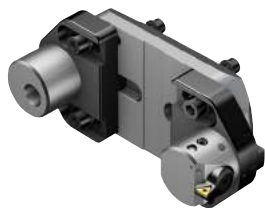
For inserts, see Turning tools catalogue



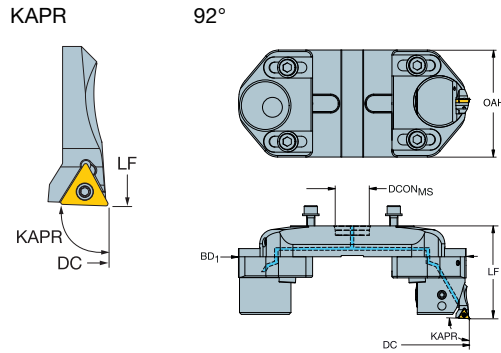
CoroBore® 825 XL fine boring tool

Arbor - Internal coolant supply

Dedicated for Silent Tools boring



- TCMT, TCMX, TCGT, TCGX, TCEX
- TCMW



		Dimensions, mm, inch													
DCN	DCX			CZC _{MS}	CNSC	Ordering code	DCON _{MS}	ADJLX _{FDL}	LF	OAH	BD ₁			CICT	MIID
148.00	215.00	11	1/4	33	1	825D-215TC11	33.00	33.50	90.00	104.00	145.00	70	2.620	1	TCMT 11 03 04
<i>5.827</i>	<i>8.465</i>						<i>1.299</i>	<i>1.319</i>	<i>3.543</i>	<i>4.094</i>	<i>5.709</i>	<i>1015</i>			
198.00	265.00	11	1/4	33	1	825D-265TC11	33.00	33.50	90.00	104.00	195.00	70	2.940	1	TCMT 11 03 04
<i>7.795</i>	<i>10.433</i>						<i>1.299</i>	<i>1.319</i>	<i>3.543</i>	<i>4.094</i>	<i>7.677</i>	<i>1015</i>			
248.00	315.00	11	1/4	33	1	825D-315TC11	33.00	33.50	90.00	104.00	245.00	70	4.190	1	TCMT 11 03 04
<i>9.764</i>	<i>12.402</i>						<i>1.299</i>	<i>1.319</i>	<i>3.543</i>	<i>4.094</i>	<i>9.646</i>	<i>1015</i>			

Diameters are valid when frontboring.

For more information about external boring, see page 271

For more information about backboring, see page 270

For more information about use of slide extensions, see page 268

These light weight assemblies are dedicated for use with damped boring adaptors. Damped adaptors are bought separately, see page 252.

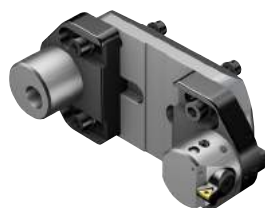
For inserts, see Turning tools catalogue



ENG

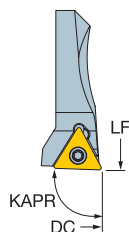
CoroBore® 826 XL fine boring tool

Arbor - Internal coolant supply
Dedicated for Silent Tools boring

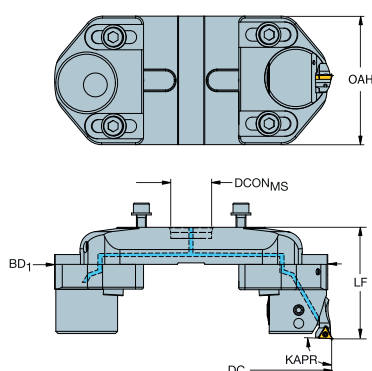


- TCMT, TCMX, TCGT, TCGX, TCEX
- TCMW

KAPR



92°



						Dimensions, mm, inch										
DCN	DCX			CZC _{MS}	CNSC	Ordering code	DCON _{MS}	ADJLX _{FDL}	LF	OAH	OAW	BD ₁			CICT	MIID
148.00	200.00	11	1/4	33	1	826D-200TC11	33.00	26.00	90.00	104.00	148.00	145.00	70	3.940	1	TCMT 11 03 04
5.827	7.874						1.299	1.024	3.543	4.094	5.827	5.709	1015			
154.35	207.65	11	1/4	33	1	826D-207TC11HP	33.00	26.65	97.00	104.00	145.00	70	2.770	1	TCMT 11 03 04	
6.077	8.175						1.299	1.049	3.819	4.094	5.709	1015				
198.00	250.00	11	1/4	33	1	826D-250TC11	33.00	26.00	90.00	104.00	198.00	195.00	70	4.000	1	TCMT 11 03 04
7.795	9.843						1.299	1.024	3.543	4.094	7.795	7.677	1015			
204.35	257.65	11	1/4	33	1	826D-257TC11HP	33.00	26.65	97.00	104.00	195.00	70	3.110	1	TCMT 11 03 04	
8.045	10.144						1.299	1.049	3.819	4.094	7.677	1015				
248.00	300.00	11	1/4	33	1	826D-300TC11	33.00	26.00	90.00	104.00	248.00	245.00	70	4.516	1	TCMT 11 03 04
9.764	11.811						1.299	1.024	3.543	4.094	9.764	9.646	1015			
254.35	307.65	11	1/4	33	1	826D-307TC11HP	33.00	26.65	97.00	104.00	245.00	70	3.470	1	TCMT 11 03 04	
10.014	12.112						1.299	1.049	3.819	4.094	9.646	1015				

Diameters are valid when frontboring.

Backboring is not recommended with CoroBore® 826

For more information about external boring, see page 271

For more information about use of slide extensions, see page 268

These light weight assemblies are dedicated for use with damped boring adaptors. Damped adaptors are bought separately, see page 252.

For inserts, see Turning tools catalogue



263



289



282



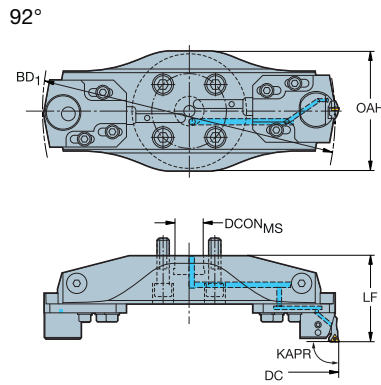
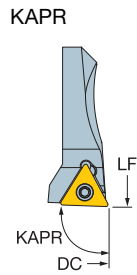
273

CoroBore® 825 XL fine boring tool

Arbor - Internal coolant supply



- TCMT, TCMX, TCGT, TCGX, TCEX
- TCMW



		Dimensions, mm, inch													
DCN	DCX			CZC _{MS}	CNSC	Ordering code	DCON _{MS}	ADJL _{RDL}	LF	OAH	BD ₁			CICT	MIID
298.00	395.00	11	1/4	40X	1	825-395TC11	40.00	48.50	114.00	164.00	295.00	70	10.385	1	TCMT 11 03 04
11.732	15.551						1.575	1.909	4.488	6.457	11.614	1015			
378.00	475.00	11	1/4	40X	1	825-475TC11	40.00	48.50	119.00	164.00	375.00	70	12.280	1	TCMT 11 03 04
14.882	18.701						1.575	1.909	4.685	6.457	14.764	1015			
458.00	555.00	11	1/4	40X	1	825-555TC11	40.00	48.50	124.00	164.00	455.00	70	16.400	1	TCMT 11 03 04
18.032	21.850						1.575	1.909	4.882	6.457	17.913	1015			

Diameters are valid when frontboring.

For more information about external boring, see page 271

For more information about backboring, see page 269

For more information about use of slide extensions, see page 268

Use with 40X CoroBore XL holders only. To be ordered separately. See page 251.

In case of direct flange to the machine spindle, use centering plug, see page 249

For inserts, see Turning tools catalogue



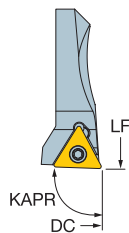
CoroBore® 826 XL fine boring tool

Arbor - Internal coolant supply

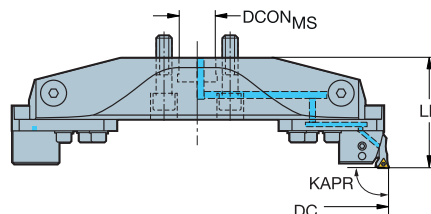
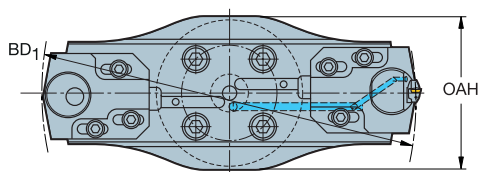


- TCMT, TCMX, TCGT, TCGX, TCEX
- TCMW

KAPR



92°



						Dimensions, mm, inch										
DCN	DCX			CZC _{MS}	CNSC	Ordering code	DCON _{MS}	ADJLX _{RDL}	LF	OAH	BD ₁			CICT	MIID	
304.35	387.65	11	1/4	40X	1	826-387TC11HP	40.00	41.65	121.00	164.00	295.00	70	8.870	1	TCMT 11 03 04	
11.982	15.262						1.575	1.640	4.764	6.457	11.614	1015				
384.35	467.65	11	1/4	40X	1	826-467TC11HP	40.00	41.65	126.00	164.00	375.00	70	10.400	1	TCMT 11 03 04	
15.132	18.411						1.575	1.640	4.961	6.457	14.764	1015				
464.35	547.65	11	1/4	40X	1	826-547TC11HP	40.00	41.65	131.00	164.00	455.00	70	12.340	1	TCMT 11 03 04	
18.282	21.561						1.575	1.640	5.157	6.457	17.913	1015				

Diameters are valid when frontboring.

Backboring is not recommended with CoroBore® 826

For more information about external boring, see page 271

For more information about use of slide extensions, see page 268

Use with 40X CoroBore XL holders only. To be ordered separately. See page 251.

In case of direct flange to the machine spindle, use centering plug, see page 249

For inserts, see Turning tools catalogue



263



289



282



273

CoroBore® 825 XL fine boring tool

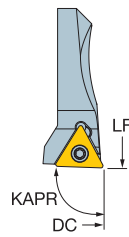
Arbor - Internal coolant supply

With bridge extension

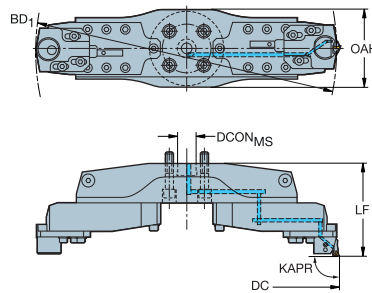


- TCMT, TCMX, TCGT, TCGX
- TCEX
- TCMW

KAPR



92°



		Dimensions, mm, inch													
DCN	DCX			CZC _{MS}	CNSC	Ordering code	DCON _{MS}	ADJLY _{FDL}	LF	OAH	BD ₁			CICT	MIID
538.00	795.00	11	1/4	40X	1	825-795TC11	40.00	128.50	198.00	164.00	535.00	70	25.640	1	TCMT 11 03 04
<i>21.181</i>	<i>31.299</i>						<i>1.575</i>	<i>5.059</i>	<i>7.795</i>	<i>6.457</i>	<i>21.063</i>	<i>1015</i>			
778.00	1035.00	11	1/4	40X	1	825-1035TC11	40.00	128.50	218.00	164.00	775.00	70	36.830	1	TCMT 11 03 04
<i>30.630</i>	<i>40.748</i>						<i>1.575</i>	<i>5.059</i>	<i>8.583</i>	<i>6.457</i>	<i>30.512</i>	<i>1015</i>			
1018.00	1275.00	11	1/4	40X	1	825-1275TC11	40.00	128.50	218.00	164.00	1015.0	70	44.260	1	TCMT 11 03 04
<i>40.079</i>	<i>50.197</i>						<i>1.575</i>	<i>5.059</i>	<i>8.583</i>	<i>6.457</i>	<i>39.961</i>	<i>1015</i>			

Diameters are valid when frontboring.

For more information about external boring, see page 271

For more information about backboring, see page 269

For more information about use of slide extensions, see page 268

Use with 40X CoroBore XL holders only. To be ordered separately. See page 251.

In case of direct flange to the machine spindle, use centering plug, see page 249

For inserts, see Turning tools catalogue



ENG

CoroBore® 826 XL fine boring tool

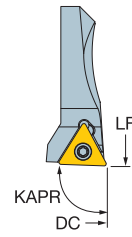
Arbor - Internal coolant supply

With bridge extension

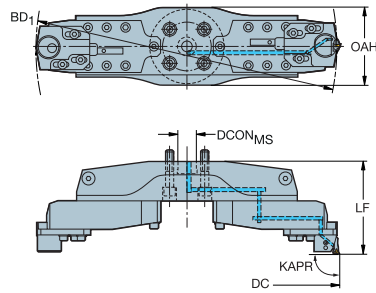


- TCMT, TCMX, TCGT, TCGX, TCEX
- TCMW

KAPR



92°



		Dimensions, mm, inch													
DCN	DCX			CZC _{MS}	CNSC	Ordering code	DCON _{MS}	ADJLX _{FDL}	LF	OAH	BD ₁			CICT	MIID
544.35	787.65	11	1/4	40X	1	826-787TC11HP	40.00	121.65	205.00	164.00	535.00	70	24.430	1	TCMT 11 03 04
21.431	31.010						1.575	4.789	8.071	6.457	21.063	1015			
784.35	1027.65	11	1/4	40X	1	826-1027TC11HP	40.00	121.65	225.00	164.00	775.00	70	35.060	1	TCMT 11 03 04
30.880	40.459						1.575	4.789	8.858	6.457	30.512	1015			
1024.35	1267.65	11	1/4	40X	1	826-1267TC11HP	40.00	121.65	225.00	164.00	1015.0	70	44.110	1	TCMT 11 03 04
40.329	49.908						1.575	4.789	8.858	6.457	39.961	1015			

Diameters are valid when frontboring.

Backboring is not recommended with CoroBore® 826

For more information about external boring, see page 271

For more information about use of slide extensions, see page 268

Use with 40X CoroBore XL holders only. To be ordered separately. See page 251.

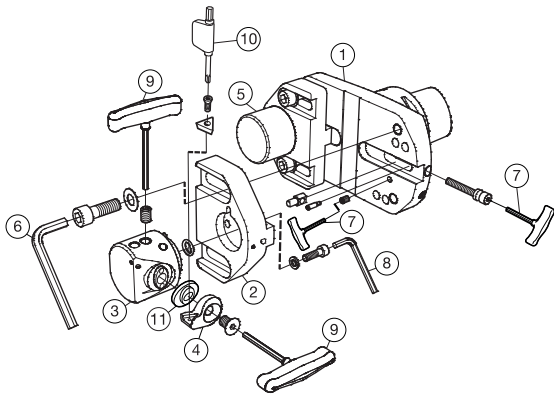
In case of direct flange to the machine spindle, use centering plug, see page 249

For inserts, see Turning tools catalogue



Included parts

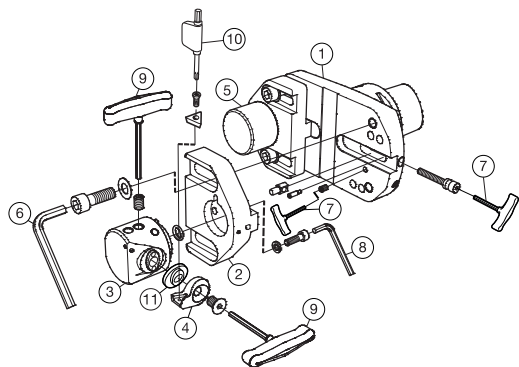
CoroBore® 825 XL fine boring tool



Included parts				
	1	2	3	4
Ordering code	Adaptor	Slide	Fine boring head	Cartridge
825-215TC11-C6	C6-R825XLS17-AJ 058	S17-R825XLA34-020	A34-R825C-E 017 A	R825C-AF23STUC1103A
825-215TC11-C8	C8-R822XLS17-AJ 070	S17-R825XLA34-020	A34-R825C-E 017 A	R825C-AF23STUC1103A
825-215TC11-C10	C10-R822XLS17-AJ 076	S17-R825XLA34-020	A34-R825C-E 017 A	R825C-AF23STUC1103A
825-265TC11-C6	C6-R825XLS17-AK 058	S17-R825XLA34-020	A34-R825C-E 017 A	R825C-AF23STUC1103A
825-265TC11-C8	C8-R822XLS17-AK 070	S17-R825XLA34-020	A34-R825C-E 017 A	R825C-AF23STUC1103A
825-265TC11-C10	C10-R822XLS17-AK 076	S17-R825XLA34-020	A34-R825C-E 017 A	R825C-AF23STUC1103A
825-315TC11-C6	C6-R825XLS17-AL 058	S17-R825XLA34-020	A34-R825C-E 017 A	R825C-AF23STUC1103A
825-315TC11-C8	C8-R822XLS17-AL 070	S17-R825XLA34-020	A34-R825C-E 017 A	R825C-AF23STUC1103A
825-315TC11-C10	C10-R822XLS17-AL 076	S17-R825XLA34-020	A34-R825C-E 017 A	R825C-AF23STUC1103A
Spare parts		Included parts		
	5	6	7	8
Ordering code	Counterweight	Key	Key	Key
825-215TC11-C6	S17-825XL-CW	3021 010-080	265.2-817	3021 010-050
825-215TC11-C8	S17-825XL-CW	3021 010-080	265.2-817	3021 010-050
825-215TC11-C10	S17-825XL-CW	3021 010-080	265.2-817	3021 010-050
825-265TC11-C6	S17-825XL-CW	3021 010-080	265.2-817	3021 010-050
825-265TC11-C8	S17-825XL-CW	3021 010-080	265.2-817	3021 010-050
825-265TC11-C10	S17-825XL-CW	3021 010-080	265.2-817	3021 010-050
825-315TC11-C6	S17-825XL-CW	3021 010-080	265.2-817	3021 010-050
825-315TC11-C8	S17-825XL-CW	3021 010-080	265.2-817	3021 010-050
825-315TC11-C10	S17-825XL-CW	3021 010-080	265.2-817	3021 010-050
Included parts			Accessories	
	9	10	11	
Ordering code	Key	Key	Slide extension set	
825-215TC11-C6	265.2-821	5680 051-02	825C-048A	
825-215TC11-C8	265.2-821	5680 051-02	825C-048A	
825-215TC11-C10	265.2-821	5680 051-02	825C-048A	
825-265TC11-C6	265.2-821	5680 051-02	825C-048A	
825-265TC11-C8	265.2-821	5680 051-02	825C-048A	
825-265TC11-C10	265.2-821	5680 051-02	825C-048A	
825-315TC11-C6	265.2-821	5680 051-02	825C-048A	
825-315TC11-C8	265.2-821	5680 051-02	825C-048A	
825-315TC11-C10	265.2-821	5680 051-02	825C-048A	

Included parts

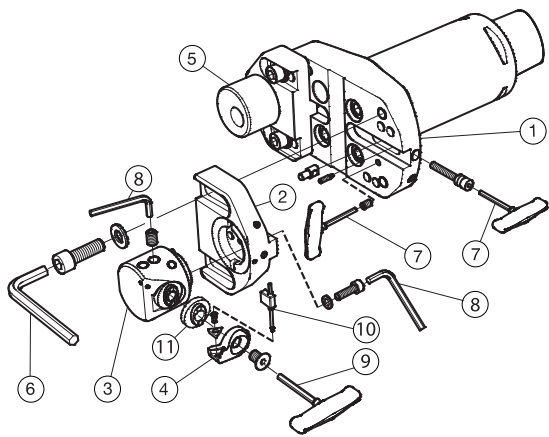
CoroBore® 826 XL fine boring tool



	Included parts				
	1	2	3	4	
Ordering code	Adaptor	Slide	Fine boring head	Cartridge	
826-200TC11-C6	C6-R825XLS17-AJ 058	S17-R825XLA34-020	A34-R826C-E 017	R825C-AF23STUC1103A	
826-200TC11-C8	C8-R822XLS17-AJ 070	S17-R825XLA34-020	A34-R826C-E 017	R825C-AF23STUC1103A	
826-200TC11-C10	C10-R822XLS17-AJ 076	S17-R825XLA34-020	A34-R826C-E 017	R825C-AF23STUC1103A	
826-250TC11-C6	C6-R825XLS17-AK 058	S17-R825XLA34-020	A34-R826C-E 017	R825C-AF23STUC1103A	
826-250TC11-C8	C8-R822XLS17-AK 070	S17-R825XLA34-020	A34-R826C-E 017	R825C-AF23STUC1103A	
826-250TC11-C10	C10-R822XLS17-AK 076	S17-R825XLA34-020	A34-R826C-E 017	R825C-AF23STUC1103A	
826-300TC11-C6	C6-R825XLS17-AL 058	S17-R825XLA34-020	A34-R826C-E 017	R825C-AF23STUC1103A	
826-300TC11-C8	C8-R822XLS17-AL 070	S17-R825XLA34-020	A34-R826C-E 017	R825C-AF23STUC1103A	
826-300TC11-C10	C10-R822XLS17-AL 076	S17-R825XLA34-020	A34-R826C-E 017	R825C-AF23STUC1103A	
	Spare parts		Included parts		
	5	6	7	8	
Ordering code	Counterweight	Key	Key	Key	
826-200TC11-C6	S17-825XL-CW	3021 010-080	265.2-817	3021 010-050	
826-200TC11-C8	S17-825XL-CW	3021 010-080	265.2-817	3021 010-050	
826-200TC11-C10	S17-825XL-CW	3021 010-080	265.2-817	3021 010-050	
826-250TC11-C6	S17-825XL-CW	3021 010-080	265.2-817	3021 010-050	
826-250TC11-C8	S17-825XL-CW	3021 010-080	265.2-817	3021 010-050	
826-250TC11-C10	S17-825XL-CW	3021 010-080	265.2-817	3021 010-050	
826-300TC11-C6	S17-825XL-CW	3021 010-080	265.2-817	3021 010-050	
826-300TC11-C8	S17-825XL-CW	3021 010-080	265.2-817	3021 010-050	
826-300TC11-C10	S17-825XL-CW	3021 010-080	265.2-817	3021 010-050	
	Included parts		Accessories		
	9	10	11		
Ordering code	Key	Key	Slide extension set		
826-200TC11-C6	265.2-821	5680 051-02	825C-048A		
826-200TC11-C8	265.2-821	5680 051-02	825C-048A		
826-200TC11-C10	265.2-821	5680 051-02	825C-048A		
826-250TC11-C6	265.2-821	5680 051-02	825C-048A		
826-250TC11-C8	265.2-821	5680 051-02	825C-048A		
826-250TC11-C10	265.2-821	5680 051-02	825C-048A		
826-300TC11-C6	265.2-821	5680 051-02	825C-048A		
826-300TC11-C8	265.2-821	5680 051-02	825C-048A		
826-300TC11-C10	265.2-821	5680 051-02	825C-048A		

Included parts

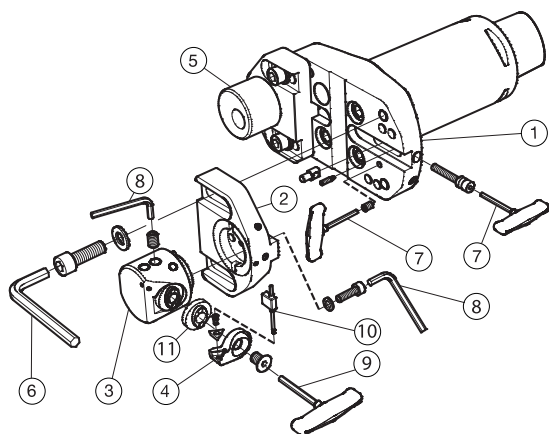
CoroBore® 825 XL lightweight fine boring tool



Included parts				
	1	2	3	4
Ordering code	Adaptor	Slide	Fine boring head	Cartridge
825L-215TC11-C8	C8-R825XLS17-LJ 170	S17-R825XLA34-020	A34-R825C-E 017 A	R825C-AF23STUC1103A
825L-265TC11-C8	C8-R825XLS17-LK 170	S17-R825XLA34-020	A34-R825C-E 017 A	R825C-AF23STUC1103A
825L-315TC11-C8	C8-R825XLS17-LL 170	S17-R825XLA34-020	A34-R825C-E 017 A	R825C-AF23STUC1103A
Spare parts		Included parts		
	5	6	7	8
Ordering code	Counterweight	Key	Key	Key
825L-215TC11-C8	S17-825XL-CW	3021 010-080	265.2-817	3021 010-050
825L-265TC11-C8	S17-825XL-CW	3021 010-080	265.2-817	3021 010-050
825L-315TC11-C8	S17-825XL-CW	3021 010-080	265.2-817	3021 010-050
Included parts			Accessories	
	9	10	11	
Ordering code	Key	Key	Slide extension set	
825L-215TC11-C8	265.2-821	5680 051-02	825C-048A	
825L-265TC11-C8	265.2-821	5680 051-02	825C-048A	
825L-315TC11-C8	265.2-821	5680 051-02	825C-048A	

Included parts

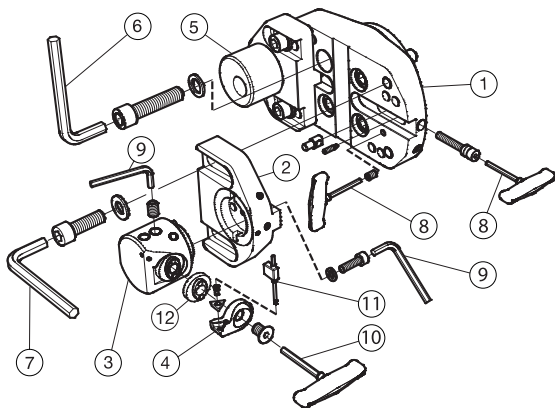
CoroBore® 826 XL lightweight fine boring tool



Included parts				
	1	2	3	4
Ordering code	Adaptor	Slide	Fine boring head	Cartridge
826L-200TC11-C8	C8-R825XLS17-LJ 170	S17-R825XLA34-020	A34-R826C-E 017	R825C-AF23STUC1103A
826L-250TC11-C8	C8-R825XLS17-LK 170	S17-R825XLA34-020	A34-R826C-E 017	R825C-AF23STUC1103A
826L-300TC11-C8	C8-R825XLS17-LL 170	S17-R825XLA34-020	A34-R826C-E 017	R825C-AF23STUC1103A
Spare parts		Included parts		
	5	6	7	8
Ordering code	Counterweight	Key	Key	Key
826L-200TC11-C8	S17-825XL-CW	3021 010-080	265.2-817	3021 010-050
826L-250TC11-C8	S17-825XL-CW	3021 010-080	265.2-817	3021 010-050
826L-300TC11-C8	S17-825XL-CW	3021 010-080	265.2-817	3021 010-050
Included parts			Accessories	
	9	10	11	
Ordering code	Key	Key	Slide extension set	
826L-200TC11-C8	265.2-821	5680 051-02	825C-048A	
826L-250TC11-C8	265.2-821	5680 051-02	825C-048A	
826L-300TC11-C8	265.2-821	5680 051-02	825C-048A	

Included parts

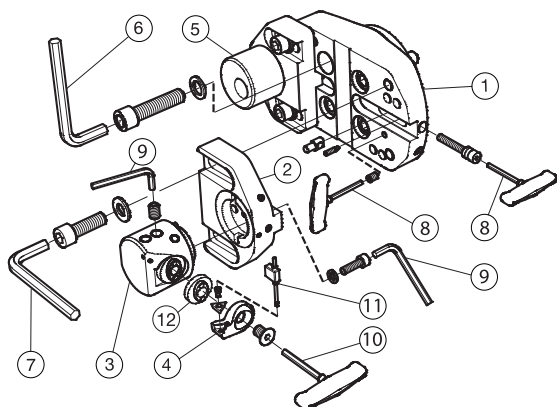
CoroBore® 825 XL lightweight fine boring tool



	Included parts				
	1	2	3	4	
Ordering code	Bridge	Slide	Fine boring head	Cartridge	
825L-215TC11	A40-R822XLS17-LJ 050	S17-R825XLA34-020	A34-R825C-E 017 A	R825C-AF23STUC1103A	
825L-265TC11	A40-R822XLS17-LK 050	S17-R825XLA34-020	A34-R825C-E 017 A	R825C-AF23STUC1103A	
825L-315TC11	A40-R822XLS17-LL 050	S17-R825XLA34-020	A34-R825C-E 017 A	R825C-AF23STUC1103A	
	Spare parts		Included parts		
	5	6	7	8	
Ordering code	Counterweight	Key	Key	Key	
825L-215TC11	S17-825XL-CW	3021 010-100	3021 010-080	265.2-817	
825L-265TC11	S17-825XL-CW	3021 010-100	3021 010-080	265.2-817	
825L-315TC11	S17-825XL-CW	3021 010-100	3021 010-080	265.2-817	
	Included parts			Accessories	
	9	10	11	12	
Ordering code	Key	Key	Key	Slide extension set	
825L-215TC11	3021 010-050	265.2-821	5680 051-02	825C-048A	
825L-265TC11	3021 010-050	265.2-821	5680 051-02	825C-048A	
825L-315TC11	3021 010-050	265.2-821	5680 051-02	825C-048A	

Included parts

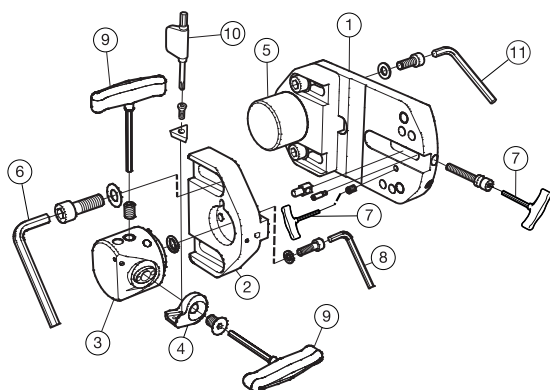
CoroBore® 826 XL lightweight fine boring tool



Included parts				
	1	2	3	4
Ordering code	Bridge	Slide	Fine boring head	Cartridge
826L-200TC11	A40-R822XLS17-LJ 050	S17-R825XLA34-020	A34-R826C-E 017	R825C-AF23STUC1103A
826L-250TC11	A40-R822XLS17-LK 050	S17-R825XLA34-020	A34-R826C-E 017	R825C-AF23STUC1103A
826L-300TC11	A40-R822XLS17-LL 050	S17-R825XLA34-020	A34-R826C-E 017	R825C-AF23STUC1103A
Spare parts		Included parts		
	5	6	7	8
Ordering code	Counterweight	Key	Key	Key
826L-200TC11	S17-825XL-CW	3021 010-100	3021 010-080	265.2-817
826L-250TC11	S17-825XL-CW	3021 010-100	3021 010-080	265.2-817
826L-300TC11	S17-825XL-CW	3021 010-100	3021 010-080	265.2-817
Included parts				Accessories
	9	10	11	12
Ordering code	Key	Key	Key	Slide extension set
826L-200TC11	3021 010-050	265.2-821	5680 051-02	825C-048A
826L-250TC11	3021 010-050	265.2-821	5680 051-02	825C-048A
826L-300TC11	3021 010-050	265.2-821	5680 051-02	825C-048A

Included parts

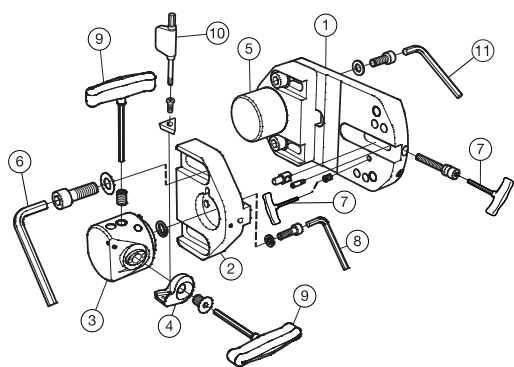
CoroBore® 825 XL fine boring tool



	Included parts			
	1	2	3	4
Ordering code	Bridge	Slide	Fine boring head	Cartridge
825D-215TC11	A33-R822XLS17-LJ030	S17-R825XLA34-020	A34-R825C-E 017 A	R825C-AF23STUC1103A
825D-265TC11	A33-R822XLS17-LK030	S17-R825XLA34-020	A34-R825C-E 017 A	R825C-AF23STUC1103A
825D-315TC11	A33-R822XLS17-LL030	S17-R825XLA34-020	A34-R825C-E 017 A	R825C-AF23STUC1103A
	Spare parts		Included parts	
	5	6	7	8
Ordering code	Counterweight	Key	Key	Key
825D-215TC11	S17-825XL-CW	3021 010-080	265.2-817	3021 010-050
825D-265TC11	S17-825XL-CW	3021 010-080	265.2-817	3021 010-050
825D-315TC11	S17-825XL-CW	3021 010-080	265.2-817	3021 010-050
	Included parts			
	9	10	11	
Ordering code	Key	Key	Key	
825D-215TC11	265.2-821	5680 051-02	3021 010-060	
825D-265TC11	265.2-821	5680 051-02	3021 010-060	
825D-315TC11	265.2-821	5680 051-02	3021 010-060	

Included parts

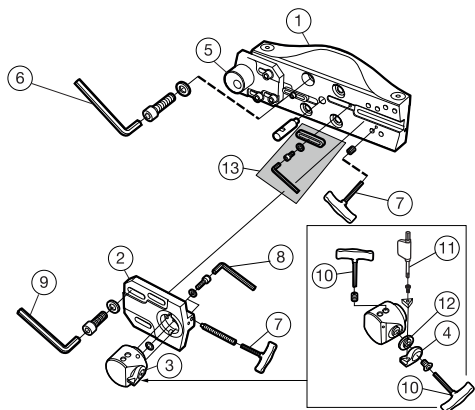
CoroBore® 826 XL fine boring tool



Included parts				
	1	2	3	4
Ordering code	Bridge	Slide	Fine boring head	Cartridge
826D-200TC11	A33-R822XLS17-LJ030	S17-R825XLA34-020	A34-R826C-E 017	R825C-AF23STUC1103A
826D-250TC11	A33-R822XLS17-LK030	S17-R825XLA34-020	A34-R826C-E 017	R825C-AF23STUC1103A
826D-300TC11	A33-R822XLS17-LL030	S17-R825XLA34-020	A34-R826C-E 017	R825C-AF23STUC1103A
Spare parts		Included parts		
	5	6	7	8
Ordering code	Counterweight	Key	Key	Key
826D-200TC11	S17-825XL-CW	3021 010-080	265.2-817	3021 010-050
826D-250TC11	S17-825XL-CW	3021 010-080	265.2-817	3021 010-050
826D-300TC11	S17-825XL-CW	3021 010-080	265.2-817	3021 010-050
Included parts				
	9	10	11	
Ordering code	Key	Key	Key	
826D-200TC11	265.2-821	5680 051-02	3021 010-060	
826D-250TC11	265.2-821	5680 051-02	3021 010-060	
826D-300TC11	265.2-821	5680 051-02	3021 010-060	

Included parts

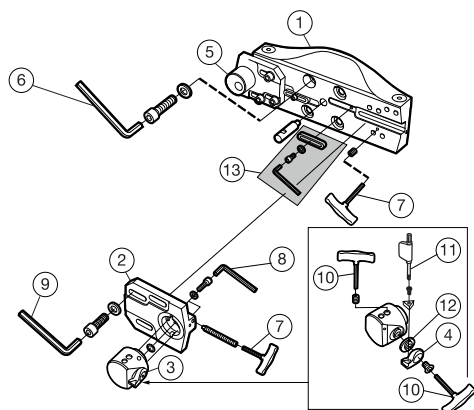
CoroBore® 825 XL fine boring tool



Included parts				
	1	2	3	4
Ordering code	Bridge	Slide	Fine boring head	Cartridge
825-395TC11	A40-RXLS24-AM2 062	S24-R825XLA34-012	A34-R825C-E 017 A	R825C-AF23STUC1103A
825-475TC11	A40-RXLS24-AN2 067	S24-R825XLA34-012	A34-R825C-E 017 A	R825C-AF23STUC1103A
825-555TC11	A40-RXLS24-AO2 072	S24-R825XLA34-012	A34-R825C-E 017 A	R825C-AF23STUC1103A
Spare parts		Included parts		
	5	6	7	8
Ordering code	Counterweight	Key	Key	Key
825-395TC11	S24-825XL-CW	3021 010-140	265.2-817	3021 010-050
825-475TC11	S24-825XL-CW	3021 010-140	265.2-817	3021 010-050
825-555TC11	S24-825XL-CW	3021 010-140	265.2-817	3021 010-050
Included parts				Accessories
	9	10	11	12
Ordering code	Key	Key	Key	Slide extension set
825-395TC11	3021 010-080	265.2-821	5680 051-02	825C-048A
825-475TC11	3021 010-080	265.2-821	5680 051-02	825C-048A
825-555TC11	3021 010-080	265.2-821	5680 051-02	825C-048A
Accessories				
	13			
Ordering code	Stop plate set			
825-395TC11	5335 001-01			
825-475TC11	5335 001-01			
825-555TC11	5335 001-01			

Included parts

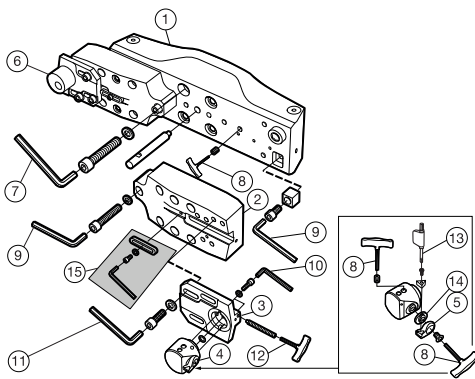
CoroBore® 826 XL fine boring tool



Included parts				
	1	2	3	4
Ordering code	Bridge	Slide	Fine boring head	Cartridge
826-380TC11	A40-RXLS24-AM2 062	S24-R825XLA34-012	A34-R826C-E 017	R825C-AF23STUC1103A
826-460TC11	A40-RXLS24-AN2 067	S24-R825XLA34-012	A34-R826C-E 017	R825C-AF23STUC1103A
826-540TC11	A40-RXLS24-AO2 072	S24-R825XLA34-012	A34-R826C-E 017	R825C-AF23STUC1103A
Spare parts		Included parts		
	5	6	7	8
Ordering code	Counterweight	Key	Key	Key
826-380TC11	S24-825XL-CW	3021 010-140	265.2-817	3021 010-050
826-460TC11	S24-825XL-CW	3021 010-140	265.2-817	3021 010-050
826-540TC11	S24-825XL-CW	3021 010-140	265.2-817	3021 010-050
Included parts				Accessories
	9	10	11	12
Ordering code	Key	Key	Key	Slide extension set
826-380TC11	3021 010-080	265.2-821	5680 051-02	825C-048A
826-460TC11	3021 010-080	265.2-821	5680 051-02	825C-048A
826-540TC11	3021 010-080	265.2-821	5680 051-02	825C-048A
Accessories				
	13			
Ordering code	Stop plate set			
826-380TC11	5335 001-01			
826-460TC11	5335 001-01			
826-540TC11	5335 001-01			

Included parts

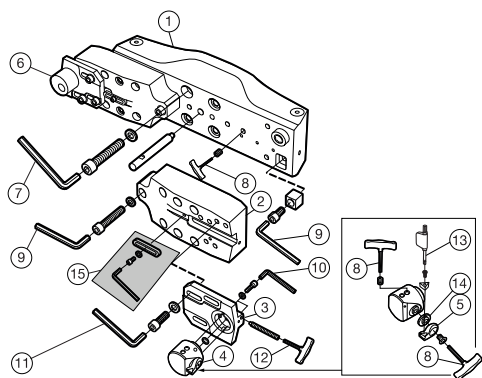
CoroBore® 825 XL fine boring tool



	Included parts			
	1	2	3	4
Ordering code	Bridge	Bridge extension	Slide	Fine boring head
825-795TC11	A40-NXLA35-AP2 086	A35-RXLS24-A 060	S24-R825XLA34-012	A34-R825C-E 017 A
825-1035TC11	A40-NXLA35-AQ2 106	A35-RXLS24-A 060	S24-R825XLA34-012	A34-R825C-E 017 A
825-1275TC11	A40-NXLA35-AR2 106	A35-RXLS24-A 060	S24-R825XLA34-012	A34-R825C-E 017 A
	Included parts	Spare parts	Included parts	
	5	6	7	8
Ordering code	Cartridge	Counterweight	Key	Key
825-795TC11	R825C-AF23STUC1103A	S24-825XL-CW	3021 010-140	265.2-821
825-1035TC11	R825C-AF23STUC1103A	S24-825XL-CW	3021 010-140	265.2-821
825-1275TC11	R825C-AF23STUC1103A	S24-825XL-CW	3021 010-140	265.2-821
	Included parts			
	9	10	11	12
Ordering code	Key	Key	Key	Key
825-795TC11	3021 010-100	3021 010-050	3021 010-080	265.2-817
825-1035TC11	3021 010-100	3021 010-050	3021 010-080	265.2-817
825-1275TC11	3021 010-100	3021 010-050	3021 010-080	265.2-817
	Included parts	Accessories		
	13	14		
Ordering code	Key	Slide extension set		
825-795TC11	5680 051-02	825C-048A		
825-1035TC11	5680 051-02	825C-048A		
825-1275TC11	5680 051-02	825C-048A		

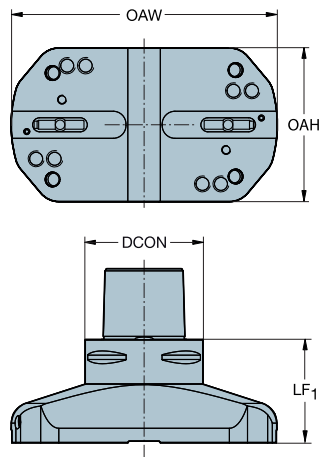
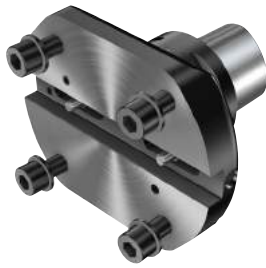
Included parts

CoroBore® 826 XL fine boring tool



Included parts				
	1	2	3	4
Ordering code	Bridge	Bridge extension	Slide	Fine boring head
826-780TC11	A40-NXLA35-AP2 086	A35-RXLS24-A 060	S24-R825XLA34-012	A34-R826C-E 017
826-1020TC11	A40-NXLA35-AQ2 106	A35-RXLS24-A 060	S24-R825XLA34-012	A34-R826C-E 017
826-1260TC11	A40-NXLA35-AR2 106	A35-RXLS24-A 060	S24-R825XLA34-012	A34-R826C-E 017
Included parts		Spare parts	Included parts	
	5	6	7	8
Ordering code	Cartridge	Counterweight	Key	Key
826-780TC11	R825C-AF23STUC1103A	S24-825XL-CW	3021 010-140	265.2-821
826-1020TC11	R825C-AF23STUC1103A	S24-825XL-CW	3021 010-140	265.2-821
826-1260TC11	R825C-AF23STUC1103A	S24-825XL-CW	3021 010-140	265.2-821
Included parts				
	9	10	11	12
Ordering code	Key	Key	Key	Key
826-780TC11	3021 010-100	3021 010-050	3021 010-080	265.2-817
826-1020TC11	3021 010-100	3021 010-050	3021 010-080	265.2-817
826-1260TC11	3021 010-100	3021 010-050	3021 010-080	265.2-817
Included parts		Accessories		
	13	14		
Ordering code	Key	Slide extension set		
826-780TC11	5680 051-02	825C-048A		
826-1020TC11	5680 051-02	825C-048A		
826-1260TC11	5680 051-02	825C-048A		

Coromant Capto® to CoroBore® XL tool body



						Dimensions, mm, inch						
DCN	DCX	CZC _{MS}	CZC _{WS}	CNSC	Ordering code	DCON _{MS}	LF	WF	OAH	OAW	<small>BAR PSI</small>	<small>KG</small>
148.00	200.00	C6	S17F	3	C6-R825XLS17-AJ 058	63.00	58.00	36.85	104.00	130.00	70	1.780
5.827	7.874					2.480	2.283	1.451	4.094	5.118	1015	
198.00	250.00	C6	S17F	3	C6-R825XLS17-AK 058	63.00	58.00	61.85	104.00	180.00	70	2.130
7.795	9.843					2.480	2.283	2.435	4.094	7.087	1015	
248.00	300.00	C6	S17F	3	C6-R825XLS17-AL 058	63.00	58.00	86.85	104.00	230.00	70	2.630
9.764	11.811					2.480	2.283	3.419	4.094	9.055	1015	

						Dimensions, mm, inch						
DCN	DCX	CZC _{MS}	CZC _{WS}	CNSC	Ordering code	DCON _{MS}	LF	WF	OAH	OAW	<small>BAR PSI</small>	<small>KG</small>
148.00	200.00	C6	S17FR	3	C6-R822XLS17-AJ058	63.00	58.00	35.50	104.00	130.00	70	3.313
5.827	7.874					2.480	2.283	1.398	4.094	5.118	1015	
148.00	200.00	C8	S17FR	3	C8-R822XLS17-AJ 070	80.00	70.00	35.50	104.00	130.00	70	4.743
5.827	7.874					3.150	2.756	1.398	4.094	5.118	1015	
148.00	200.00	C10	S17FR	3	C10-R822XLS17-AJ 076	100.00	76.00	35.50	104.00	130.00	70	6.631
5.827	7.874					3.937	2.992	1.398	4.094	5.118	1015	
198.00	250.00	C6	S17FR	3	C6-R822XLS17-AK058	63.00	58.00	60.50	104.00	180.00	70	4.555
7.795	9.843					2.480	2.283	2.382	4.094	7.087	1015	
198.00	250.00	C8	S17FR	3	C8-R822XLS17-AK 070	80.00	70.00	60.50	104.00	180.00	70	5.900
7.795	9.843					3.150	2.756	2.382	4.094	7.087	1015	
198.00	250.00	C10	S17FR	3	C10-R822XLS17-AK 076	100.00	76.00	60.50	104.00	180.00	70	8.100
7.795	9.843					3.937	2.992	2.382	4.094	7.087	1015	
248.00	300.00	C8	S17FR	3	C8-R822XLS17-AL 070	80.00	70.00	85.50	104.00	230.00	70	7.080
9.764	11.811					3.150	2.756	3.366	4.094	9.055	1015	
248.00	300.00	C10	S17FR	3	C10-R822XLS17-AL 076	100.00	76.00	85.50	104.00	230.00	70	9.328
9.764	11.811					3.937	2.992	3.366	4.094	9.055	1015	
298.00	350.00	C8	S17FR	3	C8-R822XLS17-AM070	80.00	70.00	110.50	104.00	280.00	70	7.266
11.732	13.780					3.150	2.756	4.350	4.094	11.024	1015	

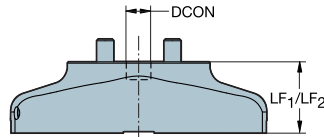
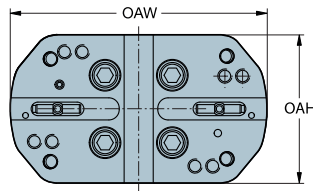


289



282

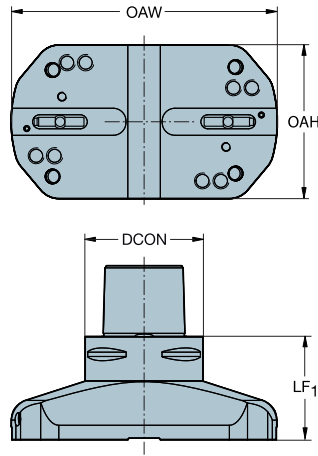
Arbor to CoroBore® XL tool body



					Dimensions, mm, inch									
DCN	DCX	CZC _{MS}	CZC _{MS}	CNSC	Ordering code	DCN _{MS}	ISO	LF	WF	OAH	OAW	BAR PSI	KG	
148.00	200.00	40S	S17FR	1	A40-R822XLS17-LJ 050	40.00	C	50.00	35.50	104.00	130.00	70	1.550	
5.827	7.874					1.575		1.969	1.398	4.094	5.118	1015		
198.00	250.00	40S	S17FR	1	A40-R822XLS17-LK 050	40.00	C	50.00	60.50	104.00	180.00	70	2.063	
7.795	9.843					1.575		1.969	2.382	4.094	7.087	1015		
248.00	300.00	40S	S17FR	1	A40-R822XLS17-LL 050	40.00	C	50.00	85.50	104.00	230.00	70	2.502	
9.764	11.811					1.575		1.969	3.366	4.094	9.055	1015		



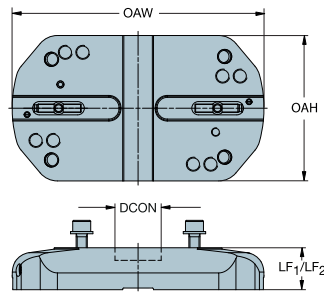
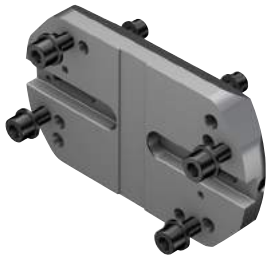
Coromant Capto® to CoroBore® XL lightweight tool body



						Dimensions, mm, inch							
DCN	DCX	CZC _{MS}	CZC _{WS}	CNSC	Ordering code	DCON _{MS}	LF	WF	OAH	OAW	BAR PSI	KG	
148.00	200.00	C8	S17F	3	C8-R825XLS17-LJ 170	80.00	170.00	36.85	104.00	130.00	70	4.588	
<i>5.827</i>	<i>7.874</i>					<i>3.150</i>	<i>6.693</i>	<i>1.451</i>	<i>4.094</i>	<i>5.118</i>	<i>1015</i>		
198.00	250.00	C8	S17F	3	C8-R825XLS17-LK 170	80.00	170.00	61.85	104.00	180.00	70	5.655	
<i>7.795</i>	<i>9.843</i>					<i>3.150</i>	<i>6.693</i>	<i>2.435</i>	<i>4.094</i>	<i>7.087</i>	<i>1015</i>		
248.00	300.00	C8	S17F	3	C8-R825XLS17-LL 170	80.00	170.00	86.85	104.00	230.00	70	5.585	
<i>9.764</i>	<i>11.811</i>					<i>3.150</i>	<i>6.693</i>	<i>3.419</i>	<i>4.094</i>	<i>9.055</i>	<i>1015</i>		



Coromant Capto® to CoroBore® XL tool body



					Dimensions, mm, inch									
DCN	DCX	CZC _{MS}	CZC _{MS}	CNSC	Ordering code	DCON _{MS}	ADJLX _{XL}	ADJLX _{RDL}	LF	WF	OAH	OAW	BAR PSI	KG
148.00	200.00	33	S17FR	1	A33-R822XLS17-LJ030	33.00	12.50	12.50	30.00	35.50	104.00	130.00	70	1.024
5.827	7.874					1.299	.492	.492	1.181	1.398	4.094	5.118	1015	
198.00	250.00	33	S17FR	1	A33-R822XLS17-LK030	33.00	12.50	12.50	30.00	60.50	104.00	180.00	70	1.314
7.795	9.843					1.299	.492	.492	1.181	2.382	4.094	7.087	1015	
248.00	300.00	33	S17FR	1	A33-R822XLS17-LL030	33.00	12.50	12.50	30.00	85.50	104.00	230.00	70	1.590
9.764	11.811					1.299	.492	.492	1.181	3.366	4.094	9.055	1015	

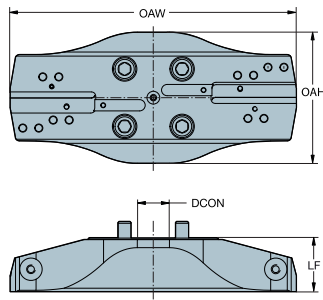


289



282

Arbor to CoroBore® XL bridge



					Dimensions, mm, inch								
DCN	DCX	CZC _{MS}	CZC _{WS}	CNSC	Ordering code	DCON _{MS}	LF	LPR	WF	OAH	OAW	BAR PSI	KG
298.00	380.00	40X	S24R	1	A40-RXLS24-AM2 062	40.00	62.00	107.00	103.25	164.00	278.00	70	5.644
11.732	14.961					1.575	2.441	4.213	4.065	6.457	10.945	1015	
378.00	460.00	40X	S24R	1	A40-RXLS24-AN2 067	40.00	67.00	112.00	143.25	164.00	358.00	70	7.385
14.882	18.110					1.575	2.638	4.409	5.640	6.457	14.095	1015	
458.00	540.00	40X	S24R	1	A40-RXLS24-AO2 072	40.00	72.00	117.00	183.25	164.00	438.00	70	11.425
18.032	21.260					1.575	2.835	4.606	7.215	6.457	17.244	1015	

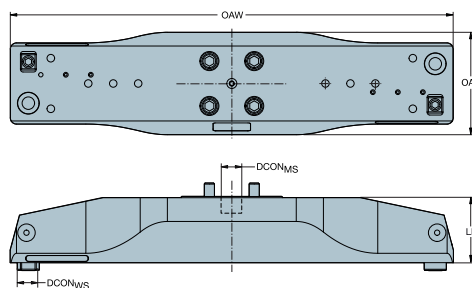


289



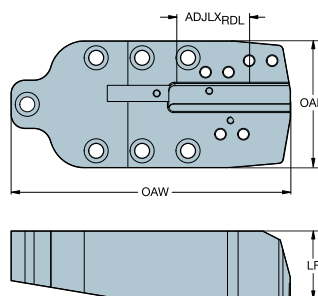
282

Arbor to CoroBore® XL bridge



					Dimensions, mm, inch									
DCN	DCX	CZC _{MS}	CZC _{WS}	CNSC	Ordering code	DCON _{MS}	DCON _{WS}	LF	LPR	WF	OAH	OAW	BAR PSI	KG
538.00	780.00	40X	A35	1	A40-NXLA35-AP2 086	40.00	35.00	86.00	186.00	206.00	164.00	470.00	70	16.590
21.181	30.709					1.575	1.378	3.386	7.323	8.110	6.457	18.504	1015	
778.00	1020.00	40X	A35	1	A40-NXLA35-AQ2 106	40.00	35.00	106.00	206.00	326.00	164.00	710.00	70	29.500
30.630	40.158					1.575	1.378	4.173	8.110	12.835	6.457	27.953	1015	
1018.00	1260.00	40X	A35	1	A40-NXLA35-AR2 106	40.00	35.00	106.00	206.00	446.00	164.00	950.00	70	37.000
40.079	49.606					1.575	1.378	4.173	8.110	17.559	6.457	37.402	1015	

CoroBore® XL bridge extension



					Dimensions, mm, inch									
CZC _{MS}	CZC _{WS}	CNSC	Ordering code	DCON _{MS}	ADJLX _{AVL}	ADJLX _{RDL}	LF	WF	OAH	OAW	BAR PSI	KG		
A35	S24RI	4	A35-RXLS24-A 060A	35.00	20.00	80.00	60.00	17.25	110.00	243.00	70	3.540		
				1.378	.787	3.150	2.362	.679	4.331	9.567	1015			

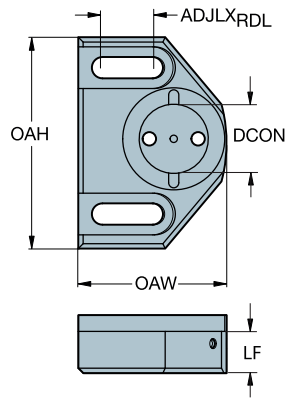


289

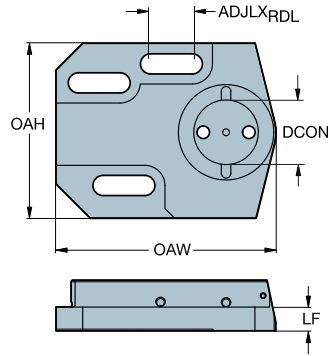


282

Slide for CoroBore® XL



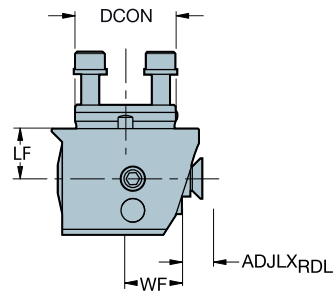
				Dimensions, mm, inch									
CZC _{MS}	CZC _{WS}	CNSC	Ordering code	DCON _{WS}	ADJLX _{RDL}	LF	LPR	WF	OAH	OAW	BAR PSI	KG	
S17F	A34	4	S17-R825XLA34-020	34.00	26.00	20.00	20.50	9.00	104.00	72.00	70	0.487	
				1.339	1.024	.787	.807	.354	4.094	2.835	1015		



				Dimensions, mm, inch									
CZC _{MS}	CZC _{WS}	CNSC	Ordering code	DCON _{WS}	ADJLX _{RDL}	LF	LPR	WF	OAH	OAW	BAR PSI	KG	
S24R	A34	4	S24-R825XLA34-012	34.00	22.00	12.00	12.50	17.75	92.00	115.55	70	1.110	
				1.339	.866	.472	.492	.699	3.622	4.549	1015		

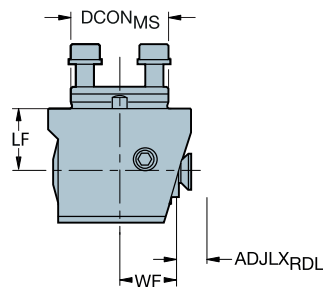


CoroBore® 825 fine boring head



			Dimensions, mm, inch									
CZC _{MS}	CZC _{WS}	CNSC	Ordering code	DCON _{MS}	ADJLX _{RDL}	LF	LPR	WF	OAH	OAW	(BAR PSI)	(KG)
A34	C	1	A34-R825C-E 017 A	34.00	7.50	17.00	36.00	17.50	50.00	50.00	70	0.553
				1.339	.295	.669	1.417	.689	1.969	1.969	1015	

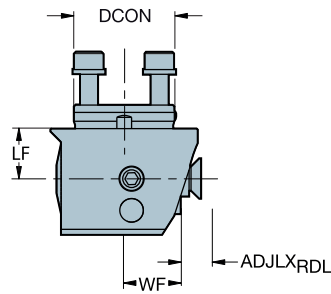
CoroBore® 826 fine boring head



			Dimensions, mm, inch									
CZC _{MS}	CZC _{WS}	CNSC	Ordering code	DCON _{MS}	ADJLX _{RDL}	LF	LPR	WF	OAH	OAW	(BAR PSI)	(KG)
A34	C	1	A34-R826C-E024HP	34.00	0.65	24.00	48.00	21.00	50.00	50.00	70	0.665
				1.339	.026	.945	1.890	.827	1.969	1.969	1015	

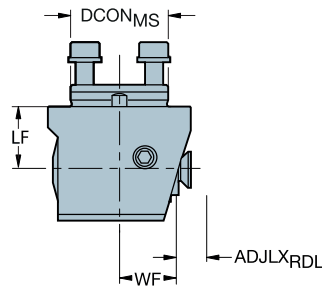


CoroBore® 825 fine boring head



			Dimensions, mm, inch									
CZC _{MS}	CZC _{WS}	CNSC	Ordering code	DCON _{MS}	ADJLX _{RDL}	LF	LPR	WF	OAH	OAW	BAR PSI	KG
A34	C	1	A34-R825C-E 017 A	34.00	7.50	17.00	36.00	17.50	50.00	50.00	70	0.553
				1.339	.295	.669	1.417	.689	1.969	1.969	1015	

CoroBore® 826 fine boring head



			Dimensions, mm, inch									
CZC _{MS}	CZC _{WS}	CNSC	Ordering code	DCON _{MS}	ADJLX _{RDL}	LF	LPR	WF	OAH	OAW	BAR PSI	KG
A34	C	1	A34-R826C-E024HP	34.00	0.65	24.00	48.00	21.00	50.00	50.00	70	0.665
				1.339	.026	.945	1.890	.827	1.969	1.969	1015	

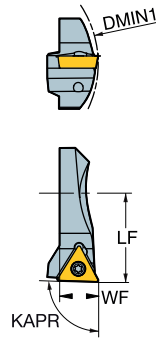
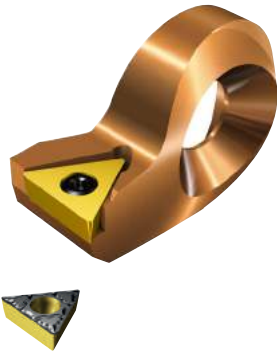




Cartridge for CoroBore® 825

ENG

KAPR

92°



-  TCMT, TCMX,
TCGT, TCGX
TCEX
-  TCMW

				Dimensions, mm, inch					
DMIN ₁	IC	CZC _{MS}	Ordering code	LF	WF	KG	CIC	MIID	
19.0	06	5/32	A R825A-AF11STUC06T1A	11.00	5.00	0.018	1	TCMT 06 T1 02	
.748				.433	.197				
19.0	06	5/32	A R825A-AF11STUP06T1A	11.00	5.00	0.017	1	TPMT 06 T1 02	
.748				.433	.197				
35.0	09	7/32	B R825B-AF17STUC0902A	17.00	7.00	0.024	1	TCMT 09 02 04	
1.378				.669	.276				
35.0	09	7/32	B R825B-AF17STUP0902A	17.00	7.00	0.023	1	TPMT 09 02 04	
1.378				.669	.276				
55.0	11	1/4	C R825C-AF23STUC1102A	23.00	10.00	0.039	1	TCMT 11 02 04	
2.165				.906	.394				
55.0	11	1/4	C R825C-AF23STUC1103A	23.00	10.00	0.039	1	TCMT 11 03 04	
2.165				.906	.394				
55.0	11	1/4	C R825C-AF23STUP1103A	23.00	10.00	0.037	1	TPMT 11 03 04	
2.165				.906	.394				



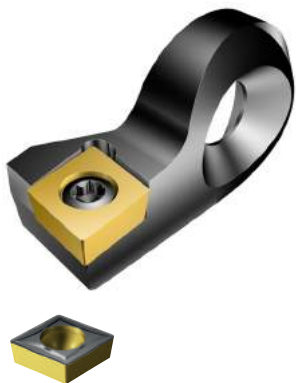
289



282

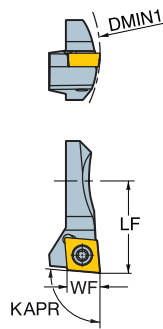
Cartridge for CoroBore® 825

ENG



KAPR

95°

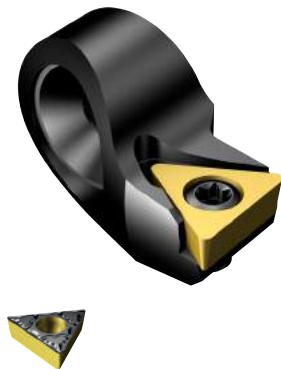


- CCMT, CCGT
CCGX, CCET
- CCMW

		Dimensions, mm, inch						
DMIN ₁	IC	CZC _{MS}	Ordering code	LF	WF	KG	CICT	MIID
55.0 2.165	09	3/8	C R825C-AF27SCLC09T3	27.00 1.063	10.00 .394	0.042	1	CCMT 09 T3 04

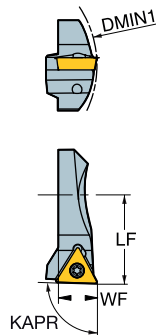
Cartridge for CoroBore® 825 Silent Tools

Backboring only



KAPR

92°



- TCMT, TCMX,
TCGT, TCGX
TCEX
- TCMW

		Dimensions, mm, inch						
DMIN ₁	IC	CZC _{MS}	Ordering code	LF	WF	KG	CICT	MIID
25.0 .984	06	5/32	A L825A-AF11STUC06T1	11.00 .433	8.00 .315	0.018	1	TCMT 06 T1 02
40.8 1.606	06	5/32	B L825B-AF15STUC06T1	15.00 .591	9.90 .390	0.020	1	TCMT 06 T1 02
59.4 2.339	09	7/32	C L825C-AF20STUC0902	20.00 .787	12.20 .480	0.030	1	TCMT 09 02 04

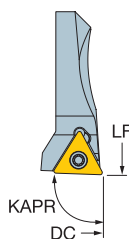
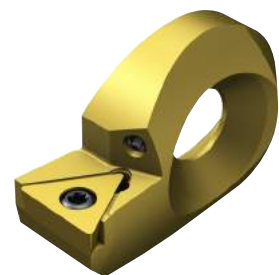


Cartridge for CoroBore® 826 HP

ENG

KAPR

92°



- TCMT, TCMX, TCGT, TCGX, TCEX
- TCMW

				Dimensions, mm, inch										
DMIN ₁		CZC _{MS}	CNSC	Ordering code	LF	WF	OAH	OAW			CIC2	MIID		
													09	7/32
35.0				R826B-AF17STUC09HP	17.00	7.00	15.60	9.30	70	0.022	1	TCMT 09 02 04		
1.378					.669	.276	.614	.366	1015					
36.0				R826B-BF17STUC09HP	17.00	7.50	15.60	9.30	70	0.022	1	TCMT 09 02 04		
1.417					.669	.295	.614	.366	1015					
37.0				R826B-CF17STUC09HP	17.00	8.00	15.60	9.30	70	0.022	1	TCMT 09 02 04		
1.457					.669	.315	.614	.366	1015					
38.0				R826B-DF17STUC09HP	17.00	8.50	15.60	9.30	70	0.022	1	TCMT 09 02 04		
1.496					.669	.335	.614	.366	1015					
55.0				R826C-AF23STUC11HP	23.00	10.00	23.50	13.20	70	0.040	1	TCMT 11 03 04		
2.165					.906	.394	.925	.520	1015					
56.0				R826C-BF23STUC11HP	23.00	10.50	23.50	13.20	70	0.040	1	TCMT 11 03 04		
2.205					.906	.413	.925	.520	1015					
57.0				R826C-CF23STUC11HP	23.00	11.00	23.50	13.20	70	0.040	1	TCMT 11 03 04		
2.244					.906	.433	.925	.520	1015					
58.0				R826C-DF23STUC11HP	23.00	11.50	23.50	13.20	70	0.040	1	TCMT 11 03 04		
2.283					.906	.453	.925	.520	1015					
59.0				R826C-EF23STUC11HP	23.00	12.00	23.50	13.20	70	0.040	1	TCMT 11 02 04		
2.323					.906	.472	.925	.520	1015					
60.0				R826C-FF23STUC11HP	23.00	12.50	23.50	13.20	70	0.040	1	TCMT 11 03 04		
2.362					.906	.492	.925	.520	1015					



289

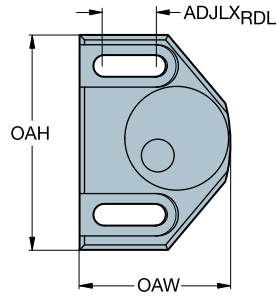


282

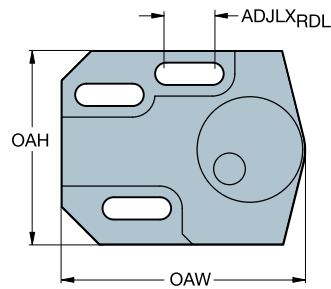
Counterweight

CoroBore® XL

ENG



		(KG)
CZC _{MS} S17F	Ordering code S17-825XL-CW	0.916



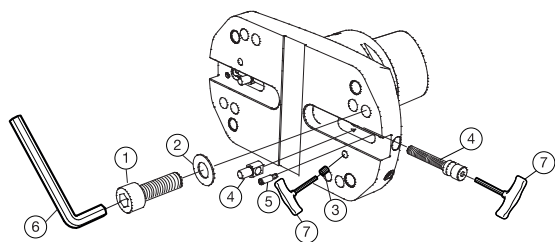
		(KG)
CZC _{MS} S24R	Ordering code S24-825XL-CW	1.690



289

Spare parts

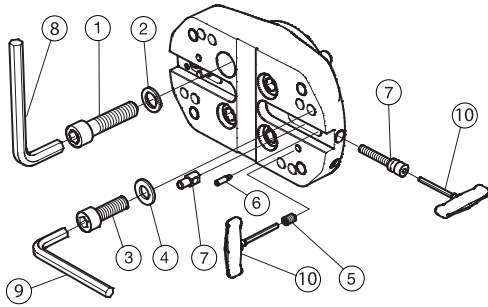
Coromant Capto® to CoroBore® XL tool body



Spare parts				
	1	2	3	4
Ordering code	Screw	Washer	Screw	Adjustment set
C6-R822XLS17-AJ058	3212 010-462	3411 013-105	3214 010-355	5519 091-01
C6-R825XLS17-AJ 058	3212 010-462	3411 013-105	3214 010-355	5519 091-01
C8-R822XLS17-AJ 070	3212 010-462	3411 013-105	3214 010-355	5519 091-01
C10-R822XLS17-AJ 076	3212 010-462	3411 013-105	3214 010-355	5519 091-01
C6-R822XLS17-AK058	3212 010-462	3411 013-105	3214 010-355	5519 091-01
C6-R825XLS17-AK 058	3212 010-462	3411 013-105	3214 010-355	5519 091-01
C8-R822XLS17-AK 070	3212 010-462	3411 013-105	3214 010-355	5519 091-01
C10-R822XLS17-AK 076	3212 010-462	3411 013-105	3214 010-355	5519 091-01
C6-R825XLS17-AL 058	3212 010-462	3411 013-105	3214 010-355	5519 091-01
C8-R822XLS17-AL 070	3212 010-462	3411 013-105	3214 010-355	5519 091-01
C10-R822XLS17-AL 076	3212 010-462	3411 013-105	3214 010-355	5519 091-01
C8-R822XLS17-AM070	3212 010-462	3411 013-105	3214 010-355	5519 091-01
Spare parts		Accessories		
	5	6	7	
Ordering code	Pin screw	Key	Key	
C6-R822XLS17-AJ058	3212 230-207	3021 010-080	265.2-817	
C6-R825XLS17-AJ 058	3212 230-207	3021 010-080	265.2-817	
C8-R822XLS17-AJ 070	3212 230-207	3021 010-080	265.2-817	
C10-R822XLS17-AJ 076	3212 230-207	3021 010-080	265.2-817	
C6-R822XLS17-AK058	3212 230-207	3021 010-080	265.2-817	
C6-R825XLS17-AK 058	3212 230-207	3021 010-080	265.2-817	
C8-R822XLS17-AK 070	3212 230-207	3021 010-080	265.2-817	
C10-R822XLS17-AK 076	3212 230-207	3021 010-080	265.2-817	
C6-R825XLS17-AL 058	3212 230-207	3021 010-080	265.2-817	
C8-R822XLS17-AL 070	3212 230-207	3021 010-080	265.2-817	
C10-R822XLS17-AL 076	3212 230-207	3021 010-080	265.2-817	
C8-R822XLS17-AM070	3212 230-207	3021 010-080	265.2-817	

Spare parts

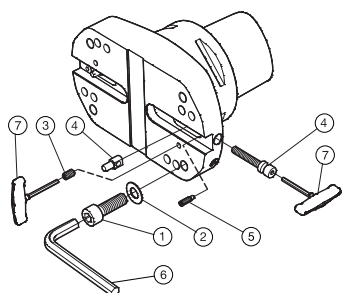
Arbor to CoroBore® XL tool body



Spare parts				
	1	2	3	4
Ordering code	Screw	Washer	Clamping screw	Washer
A40-R822XLS17-LJ 050	3212 010-516	3411 012-130	3212 010-462	3411 013-105
A40-R822XLS17-LK 050	3212 010-516	3411 012-130	3212 010-462	3411 013-105
A40-R822XLS17-LL 050	3212 010-516	3411 012-130	3212 010-462	3411 013-105
Spare parts				Accessories
	5	6	7	8
Ordering code	Coolant screw	Pin screw	Adjustment set	Key
A40-R822XLS17-LJ 050	3214 010-355	3212 230-207	5519 091-01	3021 010-100
A40-R822XLS17-LK 050	3214 010-355	3212 230-207	5519 091-01	3021 010-100
A40-R822XLS17-LL 050	3214 010-355	3212 230-207	5519 091-01	3021 010-100
Accessories				
	9	10		
Ordering code	Key	Key		
A40-R822XLS17-LJ 050	3021 010-080	265.2-817		
A40-R822XLS17-LK 050	3021 010-080	265.2-817		
A40-R822XLS17-LL 050	3021 010-080	265.2-817		

Spare parts

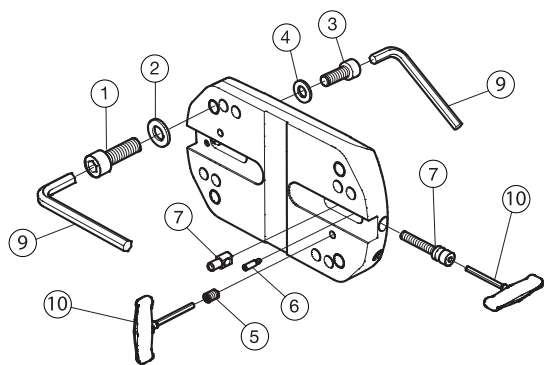
Coromant Capto® to CoroBore® XL lightweight tool body



	Spare parts				
	1	2	3	4	
Ordering code	Clamping screw	Washer	Coolant screw	Adjustment set	
C8-R825XLS17-LJ 170	3212 010-462	3411 013-105	3214 010-355	5519 091-01	
C8-R825XLS17-LK 170	3212 010-462	3411 013-105	3214 010-355	5519 091-01	
C8-R825XLS17-LL 170	3212 010-462	3411 013-105	3214 010-355	5519 091-01	
	Spare parts		Accessories		
	5	6	7		
Ordering code	Pin screw	Key	Key		
C8-R825XLS17-LJ 170	3212 230-207	3021 010-080	265.2-817		
C8-R825XLS17-LK 170	3212 230-207	3021 010-080	265.2-817		
C8-R825XLS17-LL 170	3212 230-207	3021 010-080	265.2-817		

Spare parts

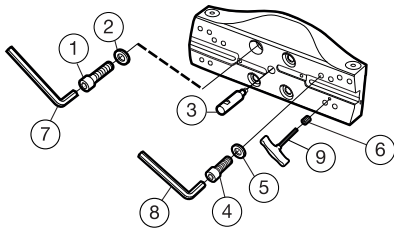
Coromant Capto® to CoroBore® XL tool body



Spare parts				
	1	2	3	4
Ordering code	Screw	Washer	Clamping screw	Washer
A33-R822XLS17-LJ030	3212 010-462	3411 013-105	3212 010-446	3411 011-084
A33-R822XLS17-LK030	3212 010-462	3411 013-105	3212 010-446	3411 011-084
A33-R822XLS17-LL030	3212 010-462	3411 013-105	3212 010-446	3411 011-084
Spare parts				Accessories
	5	6	7	8
Ordering code	Coolant screw	Pin screw	Adjustment set	Key
A33-R822XLS17-LJ030	3214 010-355	3212 230-207	5519 091-01	3021 010-080
A33-R822XLS17-LK030	3214 010-355	3212 230-207	5519 091-01	3021 010-080
A33-R822XLS17-LL030	3214 010-355	3212 230-207	5519 091-01	3021 010-080
Accessories				
	9	10		
Ordering code	Key	Key		
A33-R822XLS17-LJ030	3021 010-060	265.2-817		
A33-R822XLS17-LK030	3021 010-060	265.2-817		
A33-R822XLS17-LL030	3021 010-060	265.2-817		

Spare parts

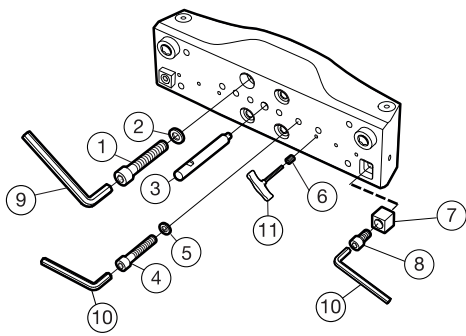
Arbor to CoroBore® XL bridge



Spare parts				
	1	2	3	4
Ordering code	Screw	Washer	Parallel pin set	Screw
A40-RXLS24-AM2 062	3212 010-569	3411 012-170	5552 047-01	3212 010-462
A40-RXLS24-AN2 067	3212 010-569	3411 012-170	5552 047-01	3212 010-462
A40-RXLS24-AO2 072	3212 010-569	3411 012-170	5552 047-01	3212 010-462
Spare parts			Accessories	
	5	6	7	8
Ordering code	Cup spring	Screw	Key	Key
A40-RXLS24-AM2 062	3846 010-069	3214 010-355	3021 010-140	3021 010-080
A40-RXLS24-AN2 067	3846 010-069	3214 010-355	3021 010-140	3021 010-080
A40-RXLS24-AO2 072	3846 010-069	3214 010-355	3021 010-140	3021 010-080
Accessories				
	9			
Ordering code	Key			
A40-RXLS24-AM2 062	265.2-817			
A40-RXLS24-AN2 067	265.2-817			
A40-RXLS24-AO2 072	265.2-817			

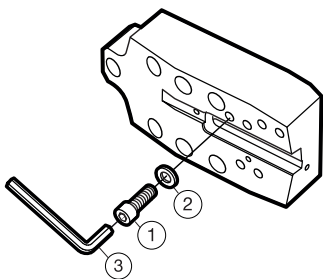
Spare parts

Arbor to CoroBore® XL bridge



Spare parts				
	1	2	3	4
Ordering code	Screw	Washer	Parallel pin set	Screw
A40-NXLA35-AP2 086	3212 010-572	3411 012-170	5552 047-02	3212 010-518
A40-NXLA35-AQ2 106	3212 010-572	3411 012-170	5552 047-02	3212 010-518
A40-NXLA35-AR2 106	3212 010-572	3411 012-170	5552 047-02	3212 010-518
Spare parts				
	5	6	7	8
Ordering code	Washer	Screw	Driving key	Screw
A40-NXLA35-AP2 086	3411 012-130	3214 010-406	3193 110-050	3212 010-511
A40-NXLA35-AQ2 106	3411 012-130	3214 010-406	3193 110-050	3212 010-511
A40-NXLA35-AR2 106	3411 012-130	3214 010-406	3193 110-050	3212 010-511
Accessories				
	9	10	11	
Ordering code	Key	Key	Key	
A40-NXLA35-AP2 086	3021 010-140	3021 010-100	265.2-821	
A40-NXLA35-AQ2 106	3021 010-140	3021 010-100	265.2-821	
A40-NXLA35-AR2 106	3021 010-140	3021 010-100	265.2-821	

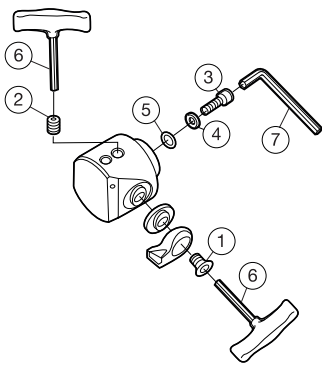
CoroBore® XL bridge extension



Spare parts		Accessories	
	1	2	3
Ordering code	Screw	Cup spring	Key
A35-RXLS24-A 060A	3212 010-462	3846 010-069	3021 010-080

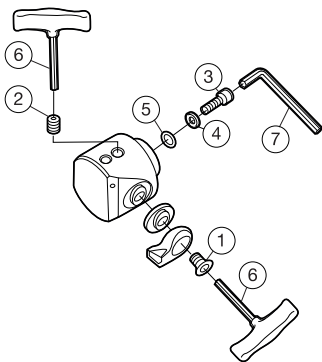
Spare parts

CoroBore® 825 fine boring head



	Spare parts				
	1	2	3	4	
Ordering code	Screw for cartridge	Locking screw	Screw	Washer	
A34-R825C-E 017 A	5513 010-08	5519 026-10	3212 010-360	3411 010-064	
	Spare parts		Accessories		
	5	6	7		
Ordering code	O-ring	Key	Key		
A34-R825C-E 017 A	3671 010-016	265.2-821	3021 010-050		

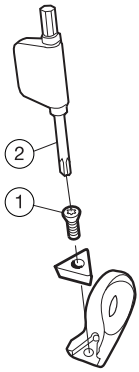
CoroBore® 826 fine boring head



	Spare parts				
	1	2	3	4	
Ordering code	Screw for cartridge	Locking screw	Screw	Washer	
A34-R826C-E024HP	5513 010-08	3214 011-406	3212 010-360	3411 010-064	
	Spare parts		Accessories		
	5	6	7		
Ordering code	O-ring	Key	Key		
A34-R826C-E024HP	3671 010-016	265.2-821	3021 010-050		

Spare parts

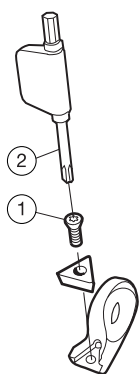
Cartridge for CoroBore® 825



	Spare parts	Accessories	
	1	2	
Ordering code	Insert screw	Key	
L825A-AF11STUC06T1	5513 020-28	5680 051-01	
R825A-AF11STUC06T1A	5513 020-28	5680 051-01	
R825A-AF11STUP06T1A	5513 020-28	5680 051-01	
L825B-AF15STUC06T1	5513 020-28	5680 051-01	
R825B-AF17STUC0902A	5513 020-05	5680 051-02	
R825B-AF17STUP0902A	5513 020-05	5680 051-02	
L825C-AF20STUC0902	5513 020-05	5680 051-02	
R825C-AF23STUC1102A	5513 020-03	5680 051-02	
R825C-AF23STUC1103A	5513 020-03	5680 051-02	
R825C-AF23STUP1103A	5513 020-03	5680 051-02	
R825C-AF27SCLC09T3	5513 020-09	5680 049-02	

Spare parts

Cartridge for CoroBore® 826 HP



	Spare parts	Accessories	
	1	2	
Ordering code	Insert screw	Key	
R826B-AF17STUC09HP	5513 020-05	5680 046-03	
R826B-BF17STUC09HP	5513 020-05	5680 046-03	
R826B-CF17STUC09HP	5513 020-05	5680 046-03	
R826B-DF17STUC09HP	5513 020-05	5680 046-03	
R826C-AF23STUC11HP	5513 020-03	5680 046-03	
R826C-BF23STUC11HP	5513 020-03	5680 046-03	
R826C-CF23STUC11HP	5513 020-03	5680 046-03	
R826C-DF23STUC11HP	5513 020-03	5680 046-03	
R826C-EF23STUC11HP	5513 020-03	5680 046-03	
R826C-FF23STUC11HP	5513 020-03	5680 046-03	

Face grooving

	Diameter range, mm (inch)	Hole tolerance	Cutting edges	Operation	Insert choice	Coupling type	Page
CoroCut® MB 	14-50 (.551-1.969)	IT7	1	- Face grooving	- CoroCut® MB	- Coromant Capto®	209
CoroBore® 825 SL 	47-150 (1.850-5.906)	IT7	1	- Face grooving	- CoroCut®	- Coromant Capto®	211
CoroBore® 825 SL 	148-1275 (5.827-50.197)	IT7	1	- Face grooving	- CoroCut®	- Coromant Capto® - 40X with 4 bolt circle	212-213
SpiroGrooving™ 	30-289 (1.181-11.378)		1 (Internal and external)	- Spirogrooving	- CoroTurn® 107	- Coromant Capto®	230-232

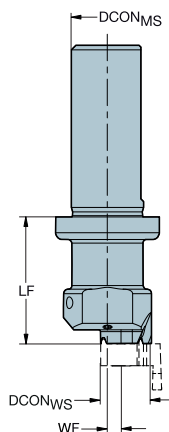
Cylindrical shank to CoroCut® MB adaptor

For face grooving

Internal coolant supply



MB...FA



			Dimensions, mm, inch						
CZC _{MS}	CZC _{MS}	CNSC	Ordering code	DCON _{MS}	DCON _{WS}	LF	WF	BAR PSI	KG
16	09	1	R429U-A16-14032MB09	16.00	9.00	32.00	-2.00	20	0.115
				.630	.354	1.260	-.079	290	
16	09	1	R429U-A16-19030MB09	16.00	9.00	30.00	0.50	20	0.114
				.630	.354	1.181	.020	290	
16	09	1	R429U-A16-24028MB09	16.00	9.00	28.00	3.00	20	0.120
				.630	.354	1.102	.118	290	
16	09	1	R429U-A16-29026MB09	16.00	9.00	26.00	5.50	20	0.120
				.630	.354	1.024	.217	290	
16	09	1	R429U-A16-34024MB09	16.00	9.00	24.00	8.00	20	0.129
				.630	.354	.945	.315	290	
16	09	1	R429U-A16-39022MB09	16.00	9.00	22.00	10.50	20	0.145
				.630	.354	.866	.413	290	
16	09	1	R429U-A16-44020MB09	16.00	9.00	20.00	13.00	20	0.153
				.630	.354	.787	.512	290	

For CoroCut® MB cutting tools, see Turning tools catalogue

Recommended adaptors:

A16: 391.37A

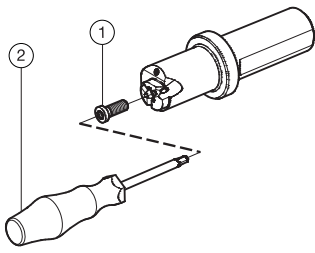


289



282

Cylindrical shank to CoroCut® MB adaptor



	Spare parts	Accessories	
	1	2	
Ordering code	Insert screw	Screwdriver	
R429U-A16-14032MB09	5513 039-02	5680 046-02	
R429U-A16-19030MB09	5513 039-02	5680 046-02	
R429U-A16-24028MB09	5513 039-02	5680 046-02	
R429U-A16-29026MB09	5513 039-02	5680 046-02	
R429U-A16-34024MB09	5513 039-02	5680 046-02	
R429U-A16-39022MB09	5513 039-02	5680 046-02	
R429U-A16-44020MB09	5513 039-02	5680 046-02	

CoroBore® 825 SL

Face grooving

Application

- Face grooving
- Axial grooving

ISO application area



Benefits and features

- Increased productivity compared to milling
- Excellent chip control thanks to internal coolant to the cutting edge
- Builds on our large assortment of standard CoroTurn® SL heads and CoroCut system 1-2 inserts. (Type left hand, A-curve)
- Radial fine-adjustable face grooving heads for pre-setting
- Rigid design with dedicated tools for small and large diameter face grooving
- Internal coolant



Tools

Couplings:

- Coromant Capto®
- Arbor

Inserts

- CoroCut® 1-2 system inserts
- Dedicated grades and geometries for all materials

CoroTurn® SL head and inserts are ordered separately.

825 - Adjusts diameter 0.002 mm (.000079 inch) with a nonius scale. A 360° turn change diameter by 0.5 mm (.020 inch).



First choice geometries: -CM or -TF depending on chosen nose radius. Recommended starting value for feed: 0.15 mm/rev (.006 inch/rev)

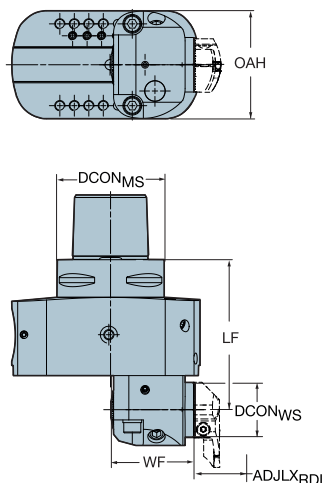
If grooves with larger width tolerance is required, chose -GF geometry. Recommended starting value for feed: 0.10 mm/rev (.004 inch/rev)



Radially fine adjustable face grooving heads for pre-setting with same interface as CoroBore 825 fine boring head

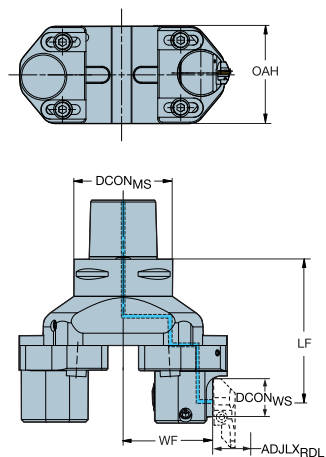
Coromant Capto® to CoroTurn® SL adjustable adaptor

Coromant Capto® - Internal coolant supply



CoroBore® 825 fine adjustment

				Dimensions, mm, inch									
CZC _{MS}	CZC _{WS}	CNSC	Ordering code	DCON _{MS}	DCON _{WS}	ADJLX _{RDL}	LF	LPR	WF	OAH	OAW	BAR PSI	KG
C6	32	3	825-150SL32-C6	63.00	32.00	51.50	88.00	109.00	5.50	63.40	106.00	20	4.320
				2.480	1.260	2.028	3.465	4.291	.217	2.496	4.173	290	
C8	32	3	825-150SL32-C8	80.00	32.00	51.50	96.00	117.00	5.50	80.40	106.00	20	5.470
				3.150	1.260	2.028	3.780	4.606	.217	3.165	4.173	290	



CoroBore® 825 XL

				Dimensions, mm, inch									
CZC _{MS}	CZC _{WS}	CNSC	Ordering code	DCON _{MS}	DCON _{WS}	ADJLX _{RDL}	LF	LPR	WF	OAH	OAW	BAR PSI	KG
C8	32	3	825-215SL32-C8	80.00	32.00	33.50	112.00	133.00	56.00	104.00	130.00	20	8.040
				3.150	1.260	1.319	4.409	5.236	2.205	4.094	5.118	290	
C8	32	3	825-265SL32-C8	80.00	32.00	33.50	112.00	133.00	81.00	104.00	180.00	20	9.120
				3.150	1.260	1.319	4.409	5.236	3.189	4.094	7.087	290	
C8	32	3	825-315SL32-C8	80.00	32.00	33.50	112.00	133.00	106.00	104.00	230.00	20	10.750
				3.150	1.260	1.319	4.409	5.236	4.173	4.094	9.055	290	

CoroTurn® SL head diameter and tool diameter range should match the requirement of the component. For more information about CoroTurn® SL heads, see Turning tools catalogue

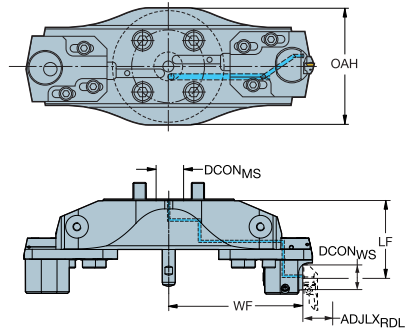
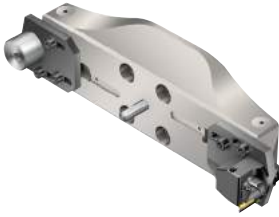


Arbor to CoroTurn® SL adjustable adaptor

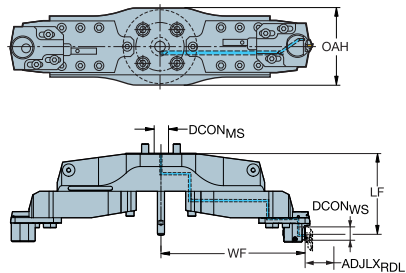
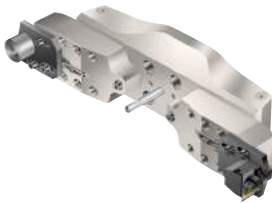
Arbor - Internal coolant supply

STDNO

ISO 6462



				Dimensions, mm, inch											
CZC _{MS}	CZC _{WS}	CNSC	Ordering code	DCON _{MS}	DCON _{WS}	ADJLX _{RDL}	LF	LPR	WF	OAH	OAW	BAR PSI	KG		
40X	32	1	825-395SL32	40.00	32.00	48.50	96.00	117.00	131.00	164.00	334.00	20	8.980		
				1.575	1.260	1.909	3.780	4.606	5.157	6.457	13.150	290			
40X	32	1	825-475SL32	40.00	32.00	48.50	101.00	122.00	171.00	164.00	414.00	20	12.830		
				1.575	1.260	1.909	3.976	4.803	6.732	6.457	16.299	290			
40X	32	1	825-555SL32	40.00	32.00	48.50	106.00	127.00	211.00	104.00	494.00	20	12.670		
				1.575	1.260	1.909	4.173	5.000	8.307	4.094	19.449	290			



With bridge extension

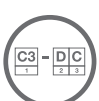
				Dimensions, mm, inch											
CZC _{MS}	CZC _{WS}	CNSC	Ordering code	DCON _{MS}	DCON _{WS}	ADJLX _{RDL}	LF	LPR	WF	OAH	OAW	BAR PSI	KG		
40X	32	1	825-1035SL32	40.00	32.00	128.50	200.00	221.00	371.00	164.00	838.00	20	36.310		
				1.575	1.260	5.059	7.874	8.701	14.606	6.457	32.992	290			
40X	32	1	825-1275SL32	40.00	32.00	128.50	200.00	221.00	491.00	164.00	1078.0	20	43.740		
				1.575	1.260	5.059	7.874	8.701	19.331	6.457	42.441	290			
40X	32	1	825-795SL32	40.00	32.00	128.50	180.00	201.00	251.00	164.00	598.00	20	25.120		
				1.575	1.260	5.059	7.087	7.913	9.882	6.457	23.543	290			

CoroTurn® SL head diameter and tool diameter range should match the requirement of the component. For more information about CoroTurn® SL heads, see Turning tools catalogue

Use with 40X CoroBore XL holders only. To be ordered separately. See page 251.

In case of direct flange to the machine spindle, use centering plug, see page 249

For boring tool components, accessories and spare parts, visit www.sandvik.coromant.com



263



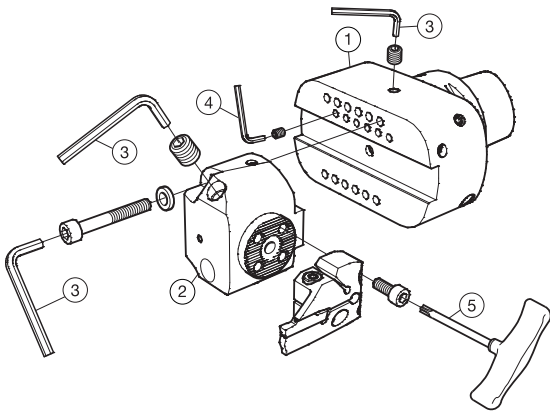
289



282

Included parts

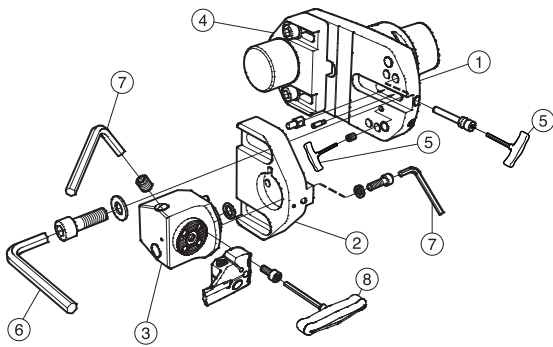
Coromant Capto®



Included parts				
	1	2	3	4
Ordering code	Adaptor	Face grooving head	Key	Key
825-150SL32-C6	C6-R825S20-150 068	S20-R825SL32 020	3021 010-050	3021 010-025
825-150SL32-C8	C8-R825S20-150 076	S20-R825SL32 020	3021 010-050	3021 010-025
Included parts				
	5			
Ordering code	Key			
825-150SL32-C6	265.2-821			
825-150SL32-C8	265.2-821			

Included parts

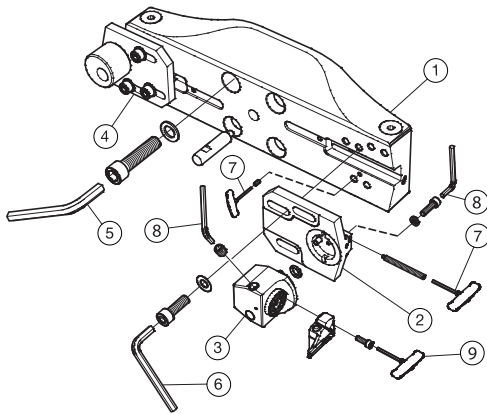
Coromant Capto®



	Included parts			Spare parts
	1	2	3	4
Ordering code	Adaptor	Slide	Face grooving head	Counterweight
825-215SL32-C8	C8-R822XLS17-AJ 070	S17-R825XLA34-020	A34-R825SL32 022	S17-825FG-CW
825-265SL32-C8	C8-R822XLS17-AK 070	S17-R825XLA34-020	A34-R825SL32 022	S17-825FG-CW
825-315SL32-C8	C8-R822XLS17-AL 070	S17-R825XLA34-020	A34-R825SL32 022	S17-825FG-CW
	Included parts			
	5	6	7	8
Ordering code	Key	Key	Key	Key
825-215SL32-C8	265.2-817	3021 010-080	3021 010-050	265.2-821
825-265SL32-C8	265.2-817	3021 010-080	3021 010-050	265.2-821
825-315SL32-C8	265.2-817	3021 010-080	3021 010-050	265.2-821

Included parts

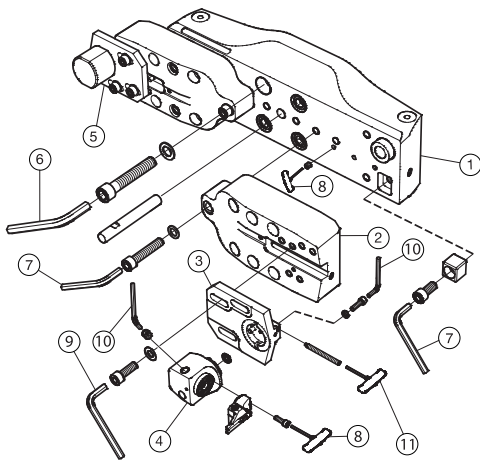
Arbor



	Included parts			Spare parts
	1	2	3	4
Ordering code	Bridge	Slide	Face grooving head	Counterweight
825-395SL32	A40-RXLS24-AM2 062	S24-R825XLA34-012	A34-R825SL32 022	S24-825FG-CW
825-475SL32	A40-RXLS24-AN2 067	S24-R825XLA34-012	A34-R825SL32 022	S24-825FG-CW
825-555SL32	A40-RXLS24-AO2 072	S24-R825XLA34-012	A34-R825SL32 022	S24-825FG-CW
	Included parts			
	5	6	7	8
Ordering code	Key	Key	Key	Key
825-395SL32	3021 010-140	3021 010-080	265.2-817	3021 010-050
825-475SL32	3021 010-140	3021 010-080	265.2-817	3021 010-050
825-555SL32	3021 010-140	3021 010-080	265.2-817	3021 010-050
	Included parts			
	9			
Ordering code	Key			
825-395SL32	265.2-821			
825-475SL32	265.2-821			
825-555SL32	265.2-821			

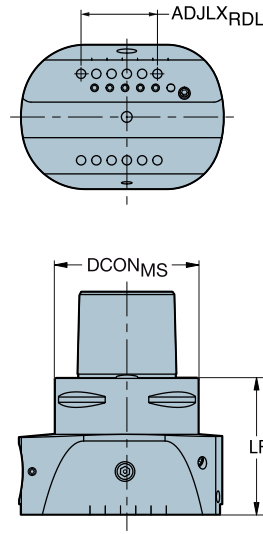
Included parts

Arbor



Included parts				
	1	2	3	4
Ordering code	Bridge	Bridge extension	Slide	Face grooving head
825-1035SL32	A40-NXLA35-AQ2 106	A35-RXLS24-A 060	S24-R825XLA34-012	A34-R825SL32 022
825-1275SL32	A40-NXLA35-AR2 106	A35-RXLS24-A 060	S24-R825XLA34-012	A34-R825SL32 022
825-795SL32	A40-NXLA35-AP2 086	A35-RXLS24-A 060	S24-R825XLA34-012	A34-R825SL32 022
Spare parts		Included parts		
	5	6	7	8
Ordering code	Counterweight	Key	Key	Key
825-1035SL32	S24-825FG-CW	3021 010-140	3021 010-100	265.2-821
825-1275SL32	S24-825FG-CW	3021 010-140	3021 010-100	265.2-821
825-795SL32	S24-825FG-CW	3021 010-140	3021 010-100	265.2-821
Included parts				
	9	10	11	
Ordering code	Key	Key	Key	
825-1035SL32	3021 010-080	3021 010-050	265.2-817	
825-1275SL32	3021 010-080	3021 010-050	265.2-817	
825-795SL32	3021 010-080	3021 010-050	265.2-817	

Coromant Capto® boring adaptor



						Dimensions, mm, inch					
DCN	DCX	CZC _{MS}	CZC _{WS}	CNSC	Ordering code	DCON _{MS}	LF	OAH	OAW	BAR PSI	KG
47.00	150.00	C6	CB825-	3	C6-R825S20-150 068	63.00	68.00	63.40	113.00	70	3.100
1.850	5.906					2.480	2.677	2.496	4.449	1015	
47.00	150.00	C8	CB825-	3	C8-R825S20-150 076	80.00	76.00	80.40	113.00	70	4.360
1.850	5.906					3.150	2.992	3.165	4.449	1015	

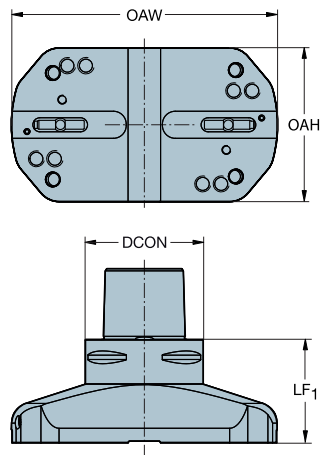
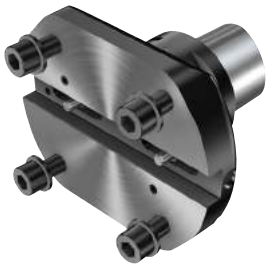




289



282

Coromant Capto® to CoroBore® XL tool body



					Dimensions, mm, inch							
DCN	DCX	CZC _{MS}	CZC _{MS}	CNSC	Ordering code	DCON _{MS}	LF	WF	OAH	OAW		
148.00	200.00	C8	S17FR	3	C8-R822XLS17-AJ 070	80.00	70.00	35.50	104.00	130.00	70	4.743
5.827	7.874					3.150	2.756	1.398	4.094	5.118	1015	
148.00	200.00	C10	S17FR	3	C10-R822XLS17-AJ 076	100.00	76.00	35.50	104.00	130.00	70	6.631
5.827	7.874					3.937	2.992	1.398	4.094	5.118	1015	
198.00	250.00	C8	S17FR	3	C8-R822XLS17-AK 070	80.00	70.00	60.50	104.00	180.00	70	5.900
7.795	9.843					3.150	2.756	2.382	4.094	7.087	1015	
198.00	250.00	C10	S17FR	3	C10-R822XLS17-AK 076	100.00	76.00	60.50	104.00	180.00	70	8.100
7.795	9.843					3.937	2.992	2.382	4.094	7.087	1015	
248.00	300.00	C8	S17FR	3	C8-R822XLS17-AL 070	80.00	70.00	85.50	104.00	230.00	70	7.080
9.764	11.811					3.150	2.756	3.366	4.094	9.055	1015	
248.00	300.00	C10	S17FR	3	C10-R822XLS17-AL 076	100.00	76.00	85.50	104.00	230.00	70	9.328
9.764	11.811					3.937	2.992	3.366	4.094	9.055	1015	

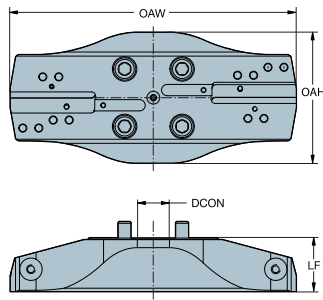


289



282

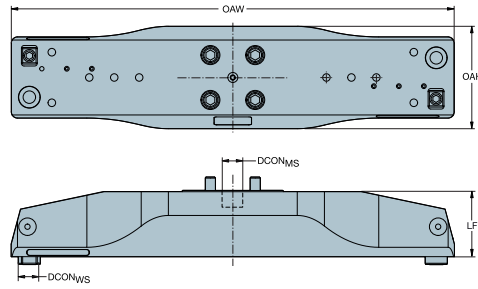
Arbor to CoroBore® XL bridge



					Dimensions, mm, inch									
DCN	DCX	CZC _{MS}	CZC _{WS}	CNSC	Ordering code	DCON _{MS}	LF	LPR	WF	OAH	OAW	BAR PSI	KG	
298.00	380.00	40X	S24R	1	A40-RXLS24-AM2 062	40.00	62.00	107.00	103.25	164.00	278.00	70	5.644	
11.732	14.961					1.575	2.441	4.213	4.065	6.457	10.945	1015		
378.00	460.00	40X	S24R	1	A40-RXLS24-AN2 067	40.00	67.00	112.00	143.25	164.00	358.00	70	7.385	
14.882	18.110					1.575	2.638	4.409	5.640	6.457	14.095	1015		
458.00	540.00	40X	S24R	1	A40-RXLS24-AO2 072	40.00	72.00	117.00	183.25	164.00	438.00	70	11.425	
18.032	21.260					1.575	2.835	4.606	7.215	6.457	17.244	1015		

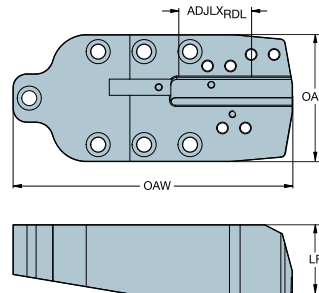


Arbor to CoroBore® XL bridge



					Dimensions, mm, inch									
DCN	DCX	CZC _{MS}	CZC _{WS}	CNSC	Ordering code	DCON _{MS}	DCON _{WS}	LF	LPR	WF	OAH	OAW	BAR PSI	KG
538.00	780.00	40X	A35	1	A40-NXLA35-AP2 086	40.00	35.00	86.00	186.00	206.00	164.00	470.00	70	16.590
21.181	30.709					1.575	1.378	3.386	7.323	8.110	6.457	18.504	1015	
778.00	1020.00	40X	A35	1	A40-NXLA35-AQ2 106	40.00	35.00	106.00	206.00	326.00	164.00	710.00	70	29.500
30.630	40.158					1.575	1.378	4.173	8.110	12.835	6.457	27.953	1015	
1018.00	1260.00	40X	A35	1	A40-NXLA35-AR2 106	40.00	35.00	106.00	206.00	446.00	164.00	950.00	70	37.000
40.079	49.606					1.575	1.378	4.173	8.110	17.559	6.457	37.402	1015	

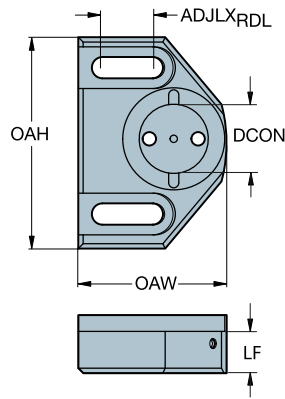
CoroBore® XL bridge extension



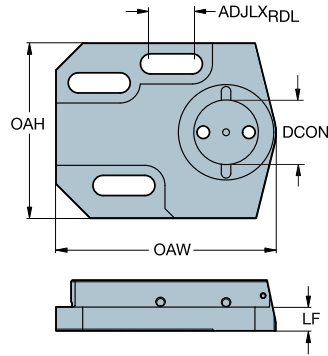
					Dimensions, mm, inch									
CZC _{MS}	CZC _{WS}	CNSC	Ordering code	DCON _{MS}	ADJLX _{VL}	ADJLX _{RDL}	LF	WF	OAH	OAW	BAR PSI	KG		
A35	S24RI	4	A35-RXLS24-A 060A	35.00	20.00	80.00	60.00	17.25	110.00	243.00	70	3.540		
				1.378	.787	3.150	2.362	.679	4.331	9.567	1015			



Slide for CoroBore® XL



				Dimensions, mm, inch									
CZC _{MS}	CZC _{WS}	CNSC	Ordering code	DCON _{WS}	ADJLX _{RDL}	LF	LPR	WF	OAH	OAW	BAR PSI	KG	
S17F	A34	4	S17-R825XLA34-020	34.00	26.00	20.00	20.50	9.00	104.00	72.00	70	0.487	
				1.339	1.024	.787	.807	.354	4.094	2.835	1015		



				Dimensions, mm, inch									
CZC _{MS}	CZC _{WS}	CNSC	Ordering code	DCON _{WS}	ADJLX _{RDL}	LF	LPR	WF	OAH	OAW	BAR PSI	KG	
S24R	A34	4	S24-R825XLA34-012	34.00	22.00	12.00	12.50	17.75	92.00	115.55	70	1.110	
				1.339	.866	.472	.492	.699	3.622	4.549	1015		

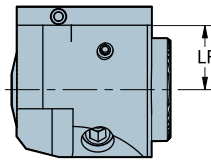
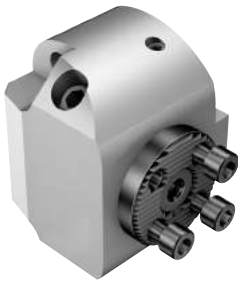


289

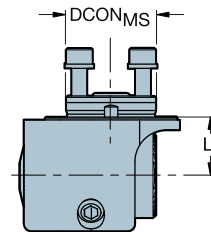


282

CoroBore® 825 fine boring unit



				Dimensions, mm, inch									
CZC _{MS}	CZC _{WS}	CNSC	Ordering code	DCON _{MS}	ADJLX _{RDL}	LF	LPR	WF	OAH	OAW	(BAR PSI)	(KG)	
CB825-	32	4	S20-R825SL32 020	32.00	9.00	20.00	41.00	32.05	63.00	49.30	70	0.449	
				1.260	.354	.787	1.614	1.262	2.480	1.941	1015		



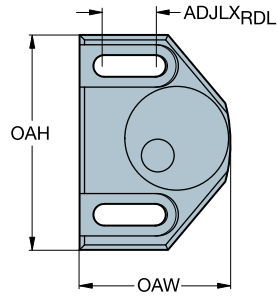
				Dimensions, mm, inch									
CZC _{MS}	CZC _{WS}	CNSC	Ordering code	DCON _{MS}	DCON _{WS}	ADJLX _{RDL}	LF	LPR	WF	OAH	OAW	(BAR PSI)	(KG)
A34	32	1	A34-R825SL32 022	34.00	32.00	7.50	22.00	43.00	9.50	51.00	59.00	70	0.760
				1.339	1.260	.295	.866	1.693	.374	2.008	2.323	1015	



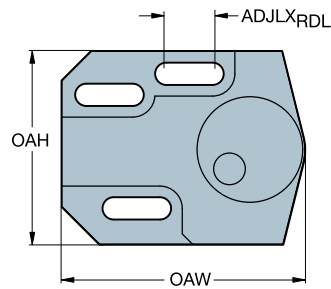
Counterweight

CoroBore® XL

ENG



		(KG)
CZC _{MS} S17F	Ordering code S17-825XL-CW	0.916



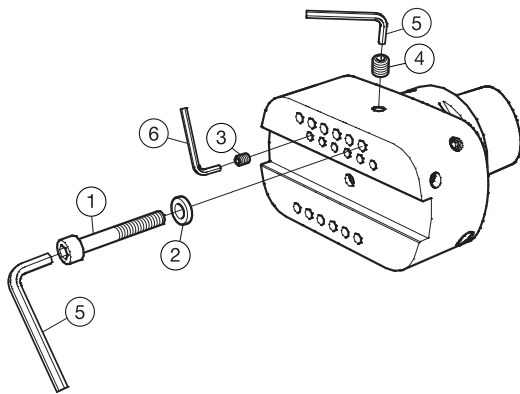
		(KG)
CZC _{MS} S24R	Ordering code S24-825XL-CW	1.690



289

Spare parts

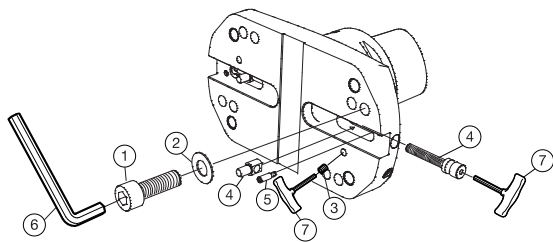
Coromant Capto® boring adaptor



Spare parts				
	1	2	3	4
Ordering code	Screw	Washer	Screw	Locking screw
C6-R825S20-150 068	3212 010-364	3411 010-064	3214 010-305	5519 026-07
C8-R825S20-150 076	3212 010-364	3411 010-064	3214 010-305	5519 026-07
Accessories				
	5	6		
Ordering code	Key	Key		
C6-R825S20-150 068	3021 010-050	3021 010-025		
C8-R825S20-150 076	3021 010-050	3021 010-025		

Spare parts

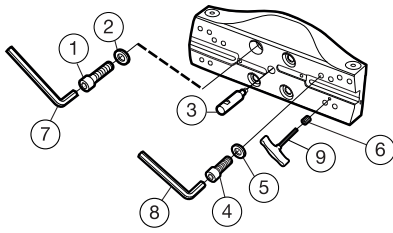
Coromant Capto® to CoroBore® XL tool body



	Spare parts			
	1	2	3	4
Ordering code	Screw	Washer	Screw	Adjustment set
C8-R822XLS17-AJ 070	3212 010-462	3411 013-105	3214 010-355	5519 091-01
C10-R822XLS17-AJ 076	3212 010-462	3411 013-105	3214 010-355	5519 091-01
C8-R822XLS17-AK 070	3212 010-462	3411 013-105	3214 010-355	5519 091-01
C10-R822XLS17-AK 076	3212 010-462	3411 013-105	3214 010-355	5519 091-01
C8-R822XLS17-AL 070	3212 010-462	3411 013-105	3214 010-355	5519 091-01
C10-R822XLS17-AL 076	3212 010-462	3411 013-105	3214 010-355	5519 091-01
	Spare parts		Accessories	
	5	6	7	
Ordering code	Pin screw	Key	Key	
C8-R822XLS17-AJ 070	3212 230-207	3021 010-080	265.2-817	
C10-R822XLS17-AJ 076	3212 230-207	3021 010-080	265.2-817	
C8-R822XLS17-AK 070	3212 230-207	3021 010-080	265.2-817	
C10-R822XLS17-AK 076	3212 230-207	3021 010-080	265.2-817	
C8-R822XLS17-AL 070	3212 230-207	3021 010-080	265.2-817	
C10-R822XLS17-AL 076	3212 230-207	3021 010-080	265.2-817	

Spare parts

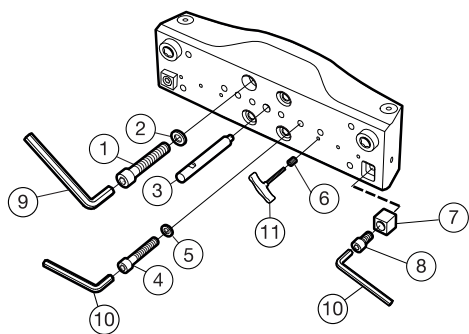
Arbor to CoroBore® XL bridge



Spare parts				
	1	2	3	4
Ordering code	Screw	Washer	Parallel pin set	Screw
A40-RXLS24-AM2 062	3212 010-569	3411 012-170	5552 047-01	3212 010-462
A40-RXLS24-AN2 067	3212 010-569	3411 012-170	5552 047-01	3212 010-462
A40-RXLS24-AO2 072	3212 010-569	3411 012-170	5552 047-01	3212 010-462
Spare parts			Accessories	
	5	6	7	8
Ordering code	Cup spring	Screw	Key	Key
A40-RXLS24-AM2 062	3846 010-069	3214 010-355	3021 010-140	3021 010-080
A40-RXLS24-AN2 067	3846 010-069	3214 010-355	3021 010-140	3021 010-080
A40-RXLS24-AO2 072	3846 010-069	3214 010-355	3021 010-140	3021 010-080
Accessories				
	9			
Ordering code	Key			
A40-RXLS24-AM2 062	265.2-817			
A40-RXLS24-AN2 067	265.2-817			
A40-RXLS24-AO2 072	265.2-817			

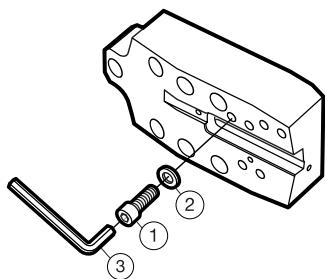
Spare parts

Arbor to CoroBore® XL bridge



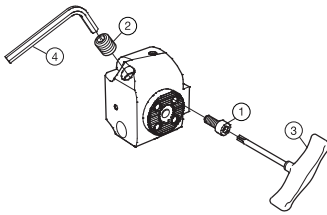
Spare parts				
	1	2	3	4
Ordering code	Screw	Washer	Parallel pin set	Screw
A40-NXLA35-AP2 086	3212 010-572	3411 012-170	5552 047-02	3212 010-518
A40-NXLA35-AQ2 106	3212 010-572	3411 012-170	5552 047-02	3212 010-518
A40-NXLA35-AR2 106	3212 010-572	3411 012-170	5552 047-02	3212 010-518
Spare parts				
	5	6	7	8
Ordering code	Washer	Screw	Driving key	Screw
A40-NXLA35-AP2 086	3411 012-130	3214 010-406	3193 110-050	3212 010-511
A40-NXLA35-AQ2 106	3411 012-130	3214 010-406	3193 110-050	3212 010-511
A40-NXLA35-AR2 106	3411 012-130	3214 010-406	3193 110-050	3212 010-511
Accessories				
	9	10	11	
Ordering code	Key	Key	Key	
A40-NXLA35-AP2 086	3021 010-140	3021 010-100	265.2-821	
A40-NXLA35-AQ2 106	3021 010-140	3021 010-100	265.2-821	
A40-NXLA35-AR2 106	3021 010-140	3021 010-100	265.2-821	

CoroBore® XL bridge extension

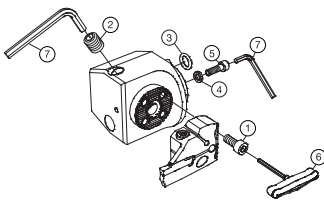


Spare parts		Accessories	
	1	2	3
Ordering code	Screw	Cup spring	Key
A35-RXLS24-A 060A	3212 010-462	3846 010-069	3021 010-080

Spare parts



	Spare parts		Accessories	
	1	2	3	4
Ordering code	Screw	Locking screw	Key	Key
S20-R825SL32 020	3212 010-308	5519 026-13	265.2-821	3021 010-050



	Spare parts			
	1	2	3	4
Ordering code	Screw	Locking screw	O-ring	Washer
A34-R825SL32 022	3212 010-308	5519 026-13	3671 010-016	3411 010-064

	Spare parts		Accessories	
	5	6	7	
Ordering code	Screw	Key	Key	
A34-R825SL32 022	3212 010-360	265.2-821	3021 010-050	

SpiroGrooving™

Machining of seal ring grooves with maximum productivity

Application

- All 23°, R-RX and BX grooves
- Not to be used for 45° chamfer on the outer flank on BX grooves
- The SpiroGrooving™ software is required
- Recommended to programming 'mid-tolerance' sizes for depth & diameter.
- Transfer the generated NC-code to the machine control

ISO application area:



Benefits and features

Process security

- Controlled chip breakage with SpiroGrooving™ tool path
- Internal coolant
- Vibration-free

High productivity

- High machine utilization due to good chip control
- Highly efficient machining method
- Reduced cutting time through higher cutting data

Quick and easy programming

- SpiroGrooving™ calculator for NC-code generation



www.sandvik.coromant.com/spirogrooving

Tools

- Coromant Capto®
- Built on CoroBore® XL - rigid and reliable system for maximum stability
- Cartridges available with axial and radial adjustability



Inserts

- CoroTurn® 107 inserts (VCMT) for size 30-75 mm (1.181 - 2.953 inch)
- CoroTurn® 107 inserts (VBMT) for size 48-289 mm (1.890 - 11.378 inch)

SpiroGrooving uses a circular spirograph tool movement in a taper. This reduces chip thickness, enabling light cutting action and increased feed. Parts of the insert cutting edge have an interrupted cutting behaviour, eliminating long chips tangling to the tool and spindle.

SpiroGrooving is a unique solution for secure and productive machining of seal ring grooves on non-rotating components. Get the complete package for this unique machining method with tools and NC-code generator.

Wondering how to program?

With the SpiroGrooving NC-code generator you can get your NC code in a few quick steps.

NC-code generator – input groove geometry and cutting parameters and receive an NC-code

CoroBore® XL adjustable tool for SpiroGrooving™

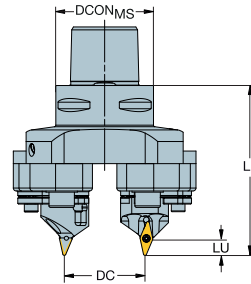
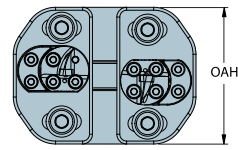
Coromant Capto® - Internal coolant supply

KAPR

67°



VCMT



Radially and axially adjustable

						Dimensions, mm, inch										
DCN	DCX			CZC _{MS}	CNSC	Ordering code	DCON _{MS}	ADJLX _{RDL}	LU	LF	OAH			CICT	MIID	
30.00	75.60	11	1/4	C5	1	820-75VC11X-C5	50.00	22.80	9.00	87.00	70.00	80	2.655	1	VBMT 11 03 04	
1.181	2.976						1.969	.898	.354	3.425	2.756	1160				

For inserts, see Turning tools catalogue



263



289



282

CoroBore® XL adjustable tool for SpiroGrooving™

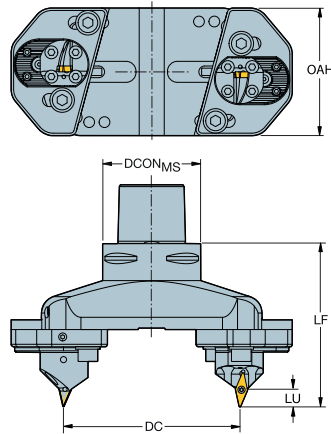
Coromant Capto® - Internal coolant supply

KAPR





67°



 VBMT



Radially and axially adjustable

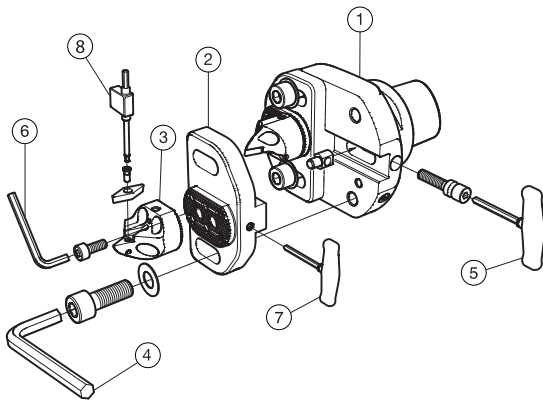
							Dimensions, mm, inch								
DCN	DCX			CZC _{MS}	CNSC	Ordering code	DCON _{MS}	ADJL _{RDL}	LU	LF	OAH			CICT	MIID
48.00	139.60	16	3/8	C6	1	820-139VB16X-C6	63.00	45.80	15.00	121.00	104.00	80	5.060	1	VBMT 16 04 08
<i>1.890</i>	<i>5.496</i>						<i>2.480</i>	<i>1.803</i>	<i>.591</i>	<i>4.764</i>	<i>4.094</i>	<i>1160</i>			
48.00	139.60	16	3/8	C8	1	820-139VB16X-C8	80.00	45.80	15.00	133.00	104.00	80	6.390	1	VBMT 16 04 08
<i>1.890</i>	<i>5.496</i>						<i>3.150</i>	<i>1.803</i>	<i>.591</i>	<i>5.236</i>	<i>4.094</i>	<i>1160</i>			
98.00	189.60	16	3/8	C6	1	820-189VB16X-C6	63.00	45.80	15.00	121.00	104.00	80	6.210	1	VBMT 16 04 08
<i>3.858</i>	<i>7.465</i>						<i>2.480</i>	<i>1.803</i>	<i>.591</i>	<i>4.764</i>	<i>4.094</i>	<i>1160</i>			
98.00	189.60	16	3/8	C8	1	820-189VB16X-C8	80.00	45.80	15.00	133.00	104.00	80	7.620	1	VBMT 16 04 08
<i>3.858</i>	<i>7.465</i>						<i>3.150</i>	<i>1.803</i>	<i>.591</i>	<i>5.236</i>	<i>4.094</i>	<i>1160</i>			
148.00	239.60	16	3/8	C8	1	820-239VB16X-C8	80.00	45.80	15.00	133.00	104.00	80	8.820	1	VBMT 16 04 08
<i>5.827</i>	<i>9.433</i>						<i>3.150</i>	<i>1.803</i>	<i>.591</i>	<i>5.236</i>	<i>4.094</i>	<i>1160</i>			
198.00	289.60	16	3/8	C8	1	820-289VB16X-C8	80.00	45.80	15.00	133.00	104.00	80	9.860	1	VBMT 16 04 08
<i>7.795</i>	<i>11.402</i>						<i>3.150</i>	<i>1.803</i>	<i>.591</i>	<i>5.236</i>	<i>4.094</i>	<i>1160</i>			

For inserts, see Turning tools catalogue



Included parts

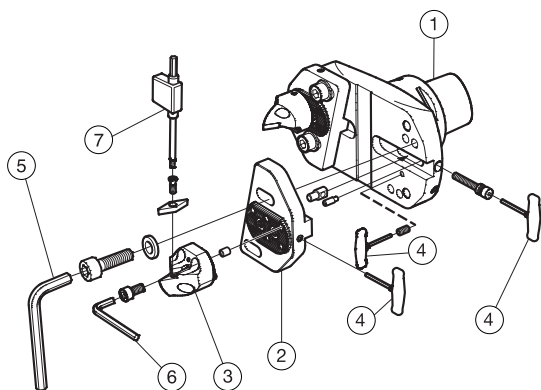
CoroBore® XL adjustable tool for SpiroGrooving™



Included parts				
	1	2b	2a	3a
Ordering code	Adaptor	Adjustable slide	Slide	Cartridge
820-75VC11X-C5	C5-R822XLS14-AI040	S14-R820XL-25A-X17	S14-R820XL-25A-017	SL-SVXCR-25A-11-030
Included parts				
	3b	4	5	6
Ordering code	Cartridge	Key	Key	Key
820-75VC11X-C5	SL-SVXCL-25A-11-030	3021 010-060	265.2-817	3021 010-030
Included parts				
	7	8		
Ordering code	Key	Key		
820-75VC11X-C5	265.2-815	5680 046-03		

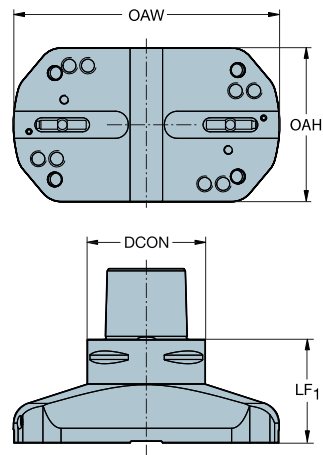
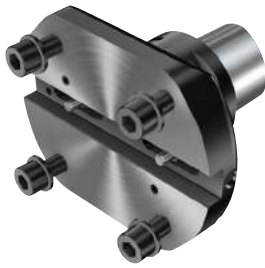
Included parts



CoroBore® XL adjustable tool for SpiroGrooving™



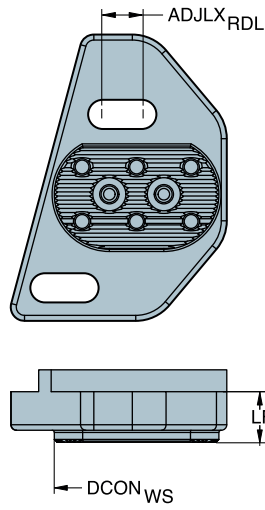
Included parts				
	1	2b	2a	3a
Ordering code	Adaptor	Adjustable slide	Slide	Cartridge
820-139VB16X-C6	C6-R822XLS17-AJ058	S17-R820XL-40A-X18	S17-R820XL-40A-018	SL-SVXBR-40A-16-050
820-139VB16X-C8	C8-R822XLS17-AJ 070	S17-R820XL-40A-X18	S17-R820XL-40A-018	SL-SVXBR-40A-16-050
820-189VB16X-C6	C6-R822XLS17-AK058	S17-R820XL-40A-X18	S17-R820XL-40A-018	SL-SVXBR-40A-16-085
820-189VB16X-C8	C8-R822XLS17-AK 070	S17-R820XL-40A-X18	S17-R820XL-40A-018	SL-SVXBR-40A-16-085
820-239VB16X-C8	C8-R822XLS17-AL 070	S17-R820XL-40A-X18	S17-R820XL-40A-018	SL-SVXBR-40A-16-085
820-289VB16X-C8	C8-R822XLS17-AM070	S17-R820XL-40A-X18	S17-R820XL-40A-018	SL-SVXBR-40A-16-085
Included parts				
	3b	4	5	6
Ordering code	Cartridge	Key	Key	Key
820-139VB16X-C6	SL-SVXBL-40A-16-050	265.2-817	3021 010-080	3021 010-050
820-139VB16X-C8	SL-SVXBL-40A-16-050	265.2-817	3021 010-080	3021 010-050
820-189VB16X-C6	SL-SVXBL-40A-16-085	265.2-817	3021 010-080	3021 010-050
820-189VB16X-C8	SL-SVXBL-40A-16-085	265.2-817	3021 010-080	3021 010-050
820-239VB16X-C8	SL-SVXBL-40A-16-085	265.2-817	3021 010-080	3021 010-050
820-289VB16X-C8	SL-SVXBL-40A-16-085	265.2-817	3021 010-080	3021 010-050
Included parts				
	7			
Ordering code	Key			
820-139VB16X-C6	5680 049-01			
820-139VB16X-C8	5680 049-01			
820-189VB16X-C6	5680 049-01			
820-189VB16X-C8	5680 049-01			
820-239VB16X-C8	5680 049-01			
820-289VB16X-C8	5680 049-01			

Coromant Capto® to CoroBore® XL tool body



					Dimensions, mm, inch							
DCN	DCX	CZC _{MS}	CZC _{MS}	CNSC	Ordering code	DCON _{MS}	LF	WF	OAH	OAW		
30.00	75.00	C5	S14FR	3	C5-R822XLS14-AI040	50.00	40.00	22.00	70.00	80.00	70	1.198
1.181	2.953					1.969	1.575	.866	2.756	3.150	1015	
148.00	200.00	C6	S17FR	3	C6-R822XLS17-AJ058	63.00	58.00	35.50	104.00	130.00	70	3.313
5.827	7.874					2.480	2.283	1.398	4.094	5.118	1015	
148.00	200.00	C8	S17FR	3	C8-R822XLS17-AJ 070	80.00	70.00	35.50	104.00	130.00	70	4.743
5.827	7.874					3.150	2.756	1.398	4.094	5.118	1015	
148.00	200.00	C10	S17FR	3	C10-R822XLS17-AJ 076	100.00	76.00	35.50	104.00	130.00	70	6.631
5.827	7.874					3.937	2.992	1.398	4.094	5.118	1015	
198.00	250.00	C6	S17FR	3	C6-R822XLS17-AK058	63.00	58.00	60.50	104.00	180.00	70	4.555
7.795	9.843					2.480	2.283	2.382	4.094	7.087	1015	
198.00	250.00	C8	S17FR	3	C8-R822XLS17-AK 070	80.00	70.00	60.50	104.00	180.00	70	5.900
7.795	9.843					3.150	2.756	2.382	4.094	7.087	1015	
198.00	250.00	C10	S17FR	3	C10-R822XLS17-AK 076	100.00	76.00	60.50	104.00	180.00	70	8.100
7.795	9.843					3.937	2.992	2.382	4.094	7.087	1015	
248.00	300.00	C8	S17FR	3	C8-R822XLS17-AL 070	80.00	70.00	85.50	104.00	230.00	70	7.080
9.764	11.811					3.150	2.756	3.366	4.094	9.055	1015	
248.00	300.00	C10	S17FR	3	C10-R822XLS17-AL 076	100.00	76.00	85.50	104.00	230.00	70	9.328
9.764	11.811					3.937	2.992	3.366	4.094	9.055	1015	
298.00	350.00	C8	S17FR	3	C8-R822XLS17-AM070	80.00	70.00	110.50	104.00	280.00	70	7.266
11.732	13.780					3.150	2.756	4.350	4.094	11.024	1015	

Slide for CoroBore® XL



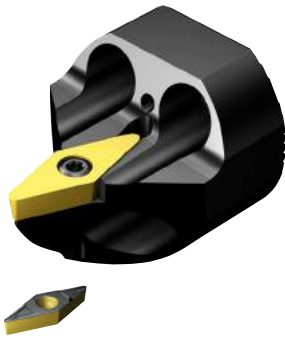
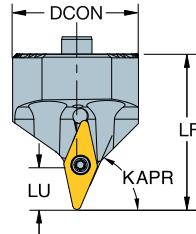
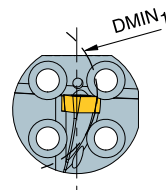
			Dimensions, mm, inch									
CZC _{MS}	CZC _{WS}	CNSC	Ordering code	DCON _{WS}	ADJLX _{RDL}	LF	WF	OAH	OAW	BAR PSI	KG	
S14R	25A	4	S14-R820XL-25A-017	25.00	11.50	17.00	7.05	70.00	40.50	70	0.333	
				.984	.453	.669	.278	2.756	1.594	1015		





			Dimensions, mm, inch									
CZC _{MS}	CZC _{WS}	CNSC	Ordering code	DCON _{WS}	ADJLX _{AVL}	ADJLX _{RDL}	LF	WF	OAH	OAW	BAR PSI	KG
S14R	25A	4	S14-R820XL-25A-X17	25.00	19.80	11.50	17.00	7.05	70.00	40.50	70	0.327
				.984	.780	.453	.669	.278	2.756	1.594	1015	
S17R	40A	4	S17-R820XL-40A-X18	40.00	19.80	14.00	18.00	11.80	104.00	78.50	70	0.814
				1.575	.780	.551	.709	.465	4.094	3.091	1015	

CoroTurn® 107 head for SpiroGrooving™

KAPR

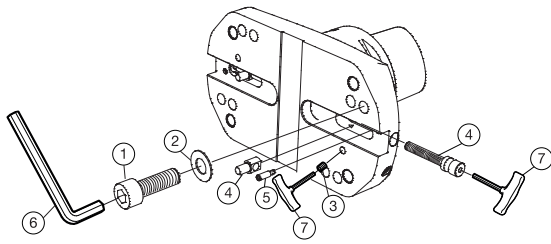
67°


 VCMT


						Dimensions, mm, inch						
DMIN ₁			CZC _{MS}	CNSC	Ordering code	DCON _{MS}	LU	LF			CICT	MIID
30.0	11	1/4	25A	1	SL-SVXCR/L-25A-11-030	25.00	9.00	30.00	70	0.052	1	VCMT 11 03 04
1.181						.984	.354	1.181	1015			
50.0	16	3/8	40A	1	SL-SVXBR/L-40A-16-050 A	40.00	15.00	45.00	70	0.177	1	VBMT 16 04 08
1.969						1.575	.591	1.772	1015			
85.0	16	3/8	40A	1	SL-SVXBR/L-40A-16-085 A	40.00	15.00	45.00	70	0.181	1	VBMT 16 04 08
3.346						1.575	.591	1.772	1015			

Spare parts

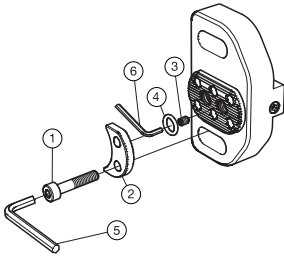
Coromant Capto® to CoroBore® XL tool body



Spare parts				
	1	2	3	4
Ordering code	Screw	Washer	Screw	Adjustment set
C5-R822XLS14-AI040	3212 010-411	3846 010-048	5519 091-03	3113 030-355
C6-R822XLS17-AJ058	3212 010-462	3411 013-105	3214 010-355	5519 091-01
C6-R825XLS17-AJ 058	3212 010-462	3411 013-105	3214 010-355	5519 091-01
C8-R822XLS17-AJ 070	3212 010-462	3411 013-105	3214 010-355	5519 091-01
C10-R822XLS17-AJ 076	3212 010-462	3411 013-105	3214 010-355	5519 091-01
C6-R822XLS17-AK058	3212 010-462	3411 013-105	3214 010-355	5519 091-01
C6-R825XLS17-AK 058	3212 010-462	3411 013-105	3214 010-355	5519 091-01
C8-R822XLS17-AK 070	3212 010-462	3411 013-105	3214 010-355	5519 091-01
C10-R822XLS17-AK 076	3212 010-462	3411 013-105	3214 010-355	5519 091-01
C6-R825XLS17-AL 058	3212 010-462	3411 013-105	3214 010-355	5519 091-01
C8-R822XLS17-AL 070	3212 010-462	3411 013-105	3214 010-355	5519 091-01
C10-R822XLS17-AL 076	3212 010-462	3411 013-105	3214 010-355	5519 091-01
C8-R822XLS17-AM070	3212 010-462	3411 013-105	3214 010-355	5519 091-01
C10-R822XLS17-AM076	3212 010-462	3411 013-105	3214 010-355	5519 091-01
Spare parts		Accessories		
	5	6	7	
Ordering code	Pin screw	Key	Key	
C5-R822XLS14-AI040	3021 010-060	265.2-817		
C6-R822XLS17-AJ058	3212 230-207	3021 010-080	265.2-817	
C6-R825XLS17-AJ 058	3212 230-207	3021 010-080	265.2-817	
C8-R822XLS17-AJ 070	3212 230-207	3021 010-080	265.2-817	
C10-R822XLS17-AJ 076	3212 230-207	3021 010-080	265.2-817	
C6-R822XLS17-AK058	3212 230-207	3021 010-080	265.2-817	
C6-R825XLS17-AK 058	3212 230-207	3021 010-080	265.2-817	
C8-R822XLS17-AK 070	3212 230-207	3021 010-080	265.2-817	
C10-R822XLS17-AK 076	3212 230-207	3021 010-080	265.2-817	
C6-R825XLS17-AL 058	3212 230-207	3021 010-080	265.2-817	
C8-R822XLS17-AL 070	3212 230-207	3021 010-080	265.2-817	
C10-R822XLS17-AL 076	3212 230-207	3021 010-080	265.2-817	
C8-R822XLS17-AM070	3212 230-207	3021 010-080	265.2-817	
C10-R822XLS17-AM076	3212 230-207	3021 010-080	265.2-817	

Spare parts

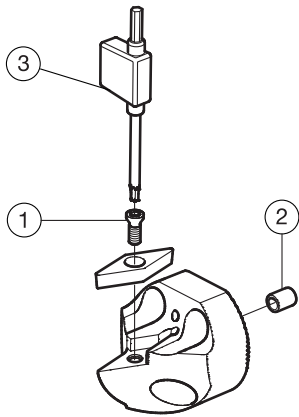
Slide for CoroBore® XL



Spare parts				
	1	2	3	4
Ordering code	Screw	Cover	Screw	O-ring
S14-R820XL-25A-017	3212 010-257	5549 051-02	3214 010-253	3671 010-113
S14-R820XL-25A-X17	3212 010-260	5549 051-02	5643 029-01	3671 010-113
S17-R820XL-40A-018	3212 010-358	5549 051-01	3214 010-303	3671 010-113
S17-R820XL-40A-X18	3212 010-359	5549 051-01	5643 029-01	3671 010-113
Accessories				
	5	6		
Ordering code	Key	Key		
S14-R820XL-25A-017	3021 010-030	3021 012-020		
S14-R820XL-25A-X17	3021 010-030	265.2-815		
S17-R820XL-40A-018	3021 010-050	3021 010-025		
S17-R820XL-40A-X18	3021 010-050	265.2-817		

Spare parts

CoroTurn® 107 head for SpiroGrooving™



	Spare parts		Accessories
	1	2	3
Ordering code	Insert screw	Locating tube	Key
SL-SVXCL-25A-11-030	5513 020-03	5552 058-02	5680 046-03
SL-SVXCR-25A-11-030	5513 020-03	5552 058-02	5680 046-03
SL-SVXBL-40A-16-050	5513 020-10	5552 058-02	5680 049-01
SL-SVXBR/L-40A-16-085	5513 020-10	5552 058-02	5680 049-01
SL-SVXBR-40A-16-050	5513 020-10	5552 058-02	5680 049-01

Interpolation turning

Turning the unturnable

Application

Interpolation turning is a new, flexible turning method developed for advanced machining centres and B-axis multi-task machines.

ISO application area



Benefits and features

- Flexible solution, making it possible to use machining centres with modular tool set-ups instead of dedicated boring machines with U- or W-axis facing heads
- The component can be machined completely without moving it - especially beneficial for large non-symmetrical components
- Reduced tool investment cost
- Built on CoroBore® XL - rigid and reliable system for maximum stability for building assemblies in different application (rough boring, fine boring, face grooving, spiro grooving and interpolation turning)



Tools

- Coromant Capto®

Inserts

- CoroTurn® 107

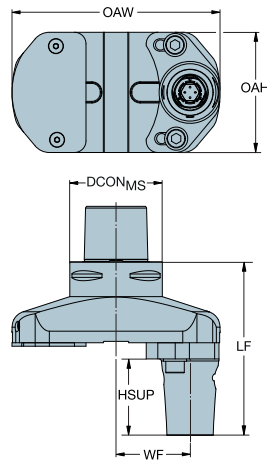
Component can be machined completely without moving it - especially beneficial for large non-symmetrical components



Coromant Capto® adjustable adaptor with Quick change

For Interpolation Turning

Internal coolant supply



				Dimensions, mm, inch									
CZC _{MS}	CZC _{WS}	CNSC	Ordering code	DCON _{MS}	DCON _{WS}	ADJLX _{RDL}	LF	WF	OAH	OAW	BAR PSI	KG	
C8	C4	3	820-100C4-QC-C8	80.00	40.00	26.00	150.00	51.00	104.00	180.00	70	7.090	
				<i>3.150</i>	<i>1.575</i>	<i>1.024</i>	<i>5.906</i>	<i>2.008</i>	<i>4.094</i>	<i>7.087</i>	<i>1015</i>		
C8	C4	3	820-150C4-QC-C8	80.00	40.00	51.00	150.00	51.00	104.00	230.00	70	9.430	
				<i>3.150</i>	<i>1.575</i>	<i>2.008</i>	<i>5.906</i>	<i>2.008</i>	<i>4.094</i>	<i>9.055</i>	<i>1015</i>		
C8	C4	3	820-50C4-QC-C8	80.00	40.00	13.50	150.00	38.50	104.00	130.00	70	5.860	
				<i>3.150</i>	<i>1.575</i>	<i>.531</i>	<i>5.906</i>	<i>1.516</i>	<i>4.094</i>	<i>5.118</i>	<i>1015</i>		

For cutting heads and inserts, see Turning tools catalogue



263



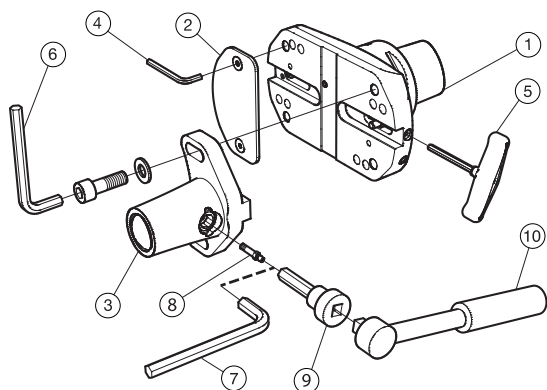
289



282

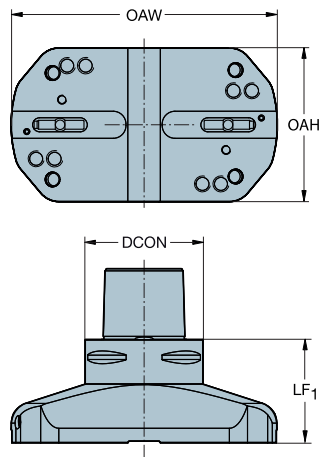
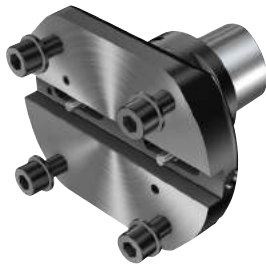
Included parts

Coromant Capto® adjustable adaptor with Quick change



	Included parts	Spare parts	Included parts	
	1	2	3	4
Ordering code	Adaptor	Cover plate	Slide	Key
820-100C4-QC-C8	C8-R822XLS17-AK 070	S17-820XL-CP	S17-R820XLC4QC-080	3021 010-040
820-150C4-QC-C8	C8-R822XLS17-AL 070	S17-820XL-CP	S17-R820XLC4QC-080	3021 010-040
820-50C4-QC-C8	C8-R822XLS17-AJ 070	S17-820XL-CP	S17-R820XLC4QC-080	3021 010-040
	Included parts			Accessories
	5	6	7	8
Ordering code	Key	Key	Key	Lubrication nipple
820-100C4-QC-C8	265.2-817	3021 010-080	3021 013-100	5692 012-01
820-150C4-QC-C8	265.2-817	3021 010-080	3021 013-100	5692 012-01
820-50C4-QC-C8	265.2-817	3021 010-080	3021 013-100	5692 012-01
	Accessories			
	9	10		
Ordering code	Key adaptor	Torque wrench		
820-100C4-QC-C8	5680 035-06	C-TK-01M		
820-150C4-QC-C8	5680 035-06	C-TK-01M		
820-50C4-QC-C8	5680 035-06	C-TK-01M		

Coromant Capto® to CoroBore® XL tool body



						Dimensions, mm, inch						
DCN	DCX	CZC _{MS}	CZC _{WS}	CNSC	Ordering code	DCON _{MS}	LF	WF	OAH	OAW	BAR PSI	KG
148.00	200.00	C6	S17F	3	C6-R825XLS17-AJ 058	63.00	58.00	36.85	104.00	130.00	70	1.780
5.827	7.874					2.480	2.283	1.451	4.094	5.118	1015	
198.00	250.00	C6	S17F	3	C6-R825XLS17-AK 058	63.00	58.00	61.85	104.00	180.00	70	2.130
7.795	9.843					2.480	2.283	2.435	4.094	7.087	1015	
248.00	300.00	C6	S17F	3	C6-R825XLS17-AL 058	63.00	58.00	86.85	104.00	230.00	70	2.630
9.764	11.811					2.480	2.283	3.419	4.094	9.055	1015	

						Dimensions, mm, inch						
DCN	DCX	CZC _{MS}	CZC _{WS}	CNSC	Ordering code	DCON _{MS}	LF	WF	OAH	OAW	BAR PSI	KG
148.00	200.00	C6	S17FR	3	C6-R822XLS17-AJ058	63.00	58.00	35.50	104.00	130.00	70	3.313
5.827	7.874					2.480	2.283	1.398	4.094	5.118	1015	
148.00	200.00	C8	S17FR	3	C8-R822XLS17-AJ 070	80.00	70.00	35.50	104.00	130.00	70	4.743
5.827	7.874					3.150	2.756	1.398	4.094	5.118	1015	
148.00	200.00	C10	S17FR	3	C10-R822XLS17-AJ 076	100.00	76.00	35.50	104.00	130.00	70	6.631
5.827	7.874					3.937	2.992	1.398	4.094	5.118	1015	
198.00	250.00	C6	S17FR	3	C6-R822XLS17-AK058	63.00	58.00	60.50	104.00	180.00	70	4.555
7.795	9.843					2.480	2.283	2.382	4.094	7.087	1015	
198.00	250.00	C8	S17FR	3	C8-R822XLS17-AK 070	80.00	70.00	60.50	104.00	180.00	70	5.900
7.795	9.843					3.150	2.756	2.382	4.094	7.087	1015	
198.00	250.00	C10	S17FR	3	C10-R822XLS17-AK 076	100.00	76.00	60.50	104.00	180.00	70	8.100
7.795	9.843					3.937	2.992	2.382	4.094	7.087	1015	
248.00	300.00	C8	S17FR	3	C8-R822XLS17-AL 070	80.00	70.00	85.50	104.00	230.00	70	7.080
9.764	11.811					3.150	2.756	3.366	4.094	9.055	1015	
248.00	300.00	C10	S17FR	3	C10-R822XLS17-AL 076	100.00	76.00	85.50	104.00	230.00	70	9.328
9.764	11.811					3.937	2.992	3.366	4.094	9.055	1015	
298.00	350.00	C8	S17FR	3	C8-R822XLS17-AM070	80.00	70.00	110.50	104.00	280.00	70	7.266
11.732	13.780					3.150	2.756	4.350	4.094	11.024	1015	

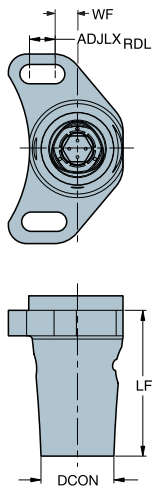


289

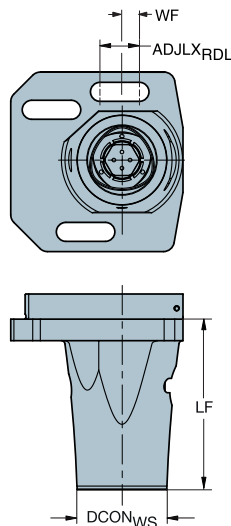


282

Slide for CoroBore® XL



				Dimensions, mm, inch									
CZC _{MS}	CZC _{WS}	CNSC	Ordering code	DCON _{WS}	ADJLX _{RDL}	LF	WF	OAH	OAW	BAR PSI	KG		
S17F	C4	4	S17-R820XLC4QC-080	40.00	14.00	80.00	12.20	104.00	63.00	70	1.260		
				1.575	.551	3.150	.480	4.094	2.480	1015			



				Dimensions, mm, inch									
CZC _{MS}	CZC _{WS}	CNSC	Ordering code	DCON _{WS}	ADJLX _{RDL}	LF	WF	OAH	OAW	BAR PSI	KG		
S24R	C5	4	S24-R820XLC5QC-095	50.00	22.00	95.00	9.75	100.00	96.00	70	2.350		
				1.969	.866	3.740	.384	3.937	3.780	1015			

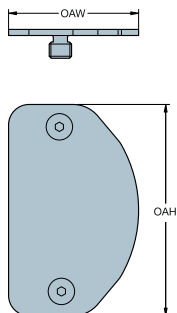


289



282

Cover plate

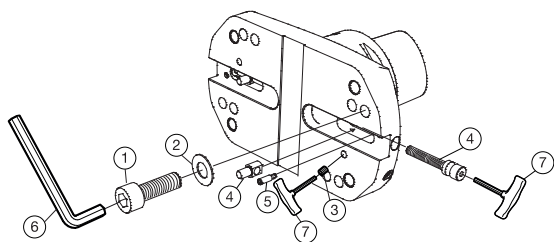


CZC _{MS}	Ordering code	KG
S17F	S17-820XL-CP	0.145
S24R	S24-820XL-CP	0.329



Spare parts

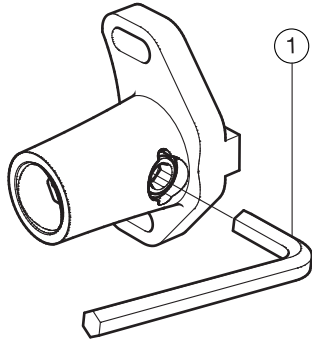
Coromant Capto® to CoroBore® XL tool body



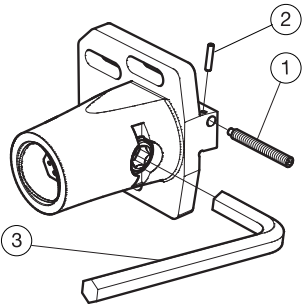
Spare parts				
	1	2	3	4
Ordering code	Screw	Washer	Screw	Adjustment set
C6-R822XLS17-AJ058	3212 010-462	3411 013-105	3214 010-355	5519 091-01
C6-R825XLS17-AJ 058	3212 010-462	3411 013-105	3214 010-355	5519 091-01
C8-R822XLS17-AJ 070	3212 010-462	3411 013-105	3214 010-355	5519 091-01
C10-R822XLS17-AJ 076	3212 010-462	3411 013-105	3214 010-355	5519 091-01
C6-R822XLS17-AK058	3212 010-462	3411 013-105	3214 010-355	5519 091-01
C6-R825XLS17-AK 058	3212 010-462	3411 013-105	3214 010-355	5519 091-01
C8-R822XLS17-AK 070	3212 010-462	3411 013-105	3214 010-355	5519 091-01
C10-R822XLS17-AK 076	3212 010-462	3411 013-105	3214 010-355	5519 091-01
C6-R825XLS17-AL 058	3212 010-462	3411 013-105	3214 010-355	5519 091-01
C8-R822XLS17-AL 070	3212 010-462	3411 013-105	3214 010-355	5519 091-01
C10-R822XLS17-AL 076	3212 010-462	3411 013-105	3214 010-355	5519 091-01
C8-R822XLS17-AM070	3212 010-462	3411 013-105	3214 010-355	5519 091-01
Spare parts		Accessories		
	5	6	7	
Ordering code	Pin screw	Key	Key	
C6-R822XLS17-AJ058	3212 230-207	3021 010-080	265.2-817	
C6-R825XLS17-AJ 058	3212 230-207	3021 010-080	265.2-817	
C8-R822XLS17-AJ 070	3212 230-207	3021 010-080	265.2-817	
C10-R822XLS17-AJ 076	3212 230-207	3021 010-080	265.2-817	
C6-R822XLS17-AK058	3212 230-207	3021 010-080	265.2-817	
C6-R825XLS17-AK 058	3212 230-207	3021 010-080	265.2-817	
C8-R822XLS17-AK 070	3212 230-207	3021 010-080	265.2-817	
C10-R822XLS17-AK 076	3212 230-207	3021 010-080	265.2-817	
C6-R825XLS17-AL 058	3212 230-207	3021 010-080	265.2-817	
C8-R822XLS17-AL 070	3212 230-207	3021 010-080	265.2-817	
C10-R822XLS17-AL 076	3212 230-207	3021 010-080	265.2-817	
C8-R822XLS17-AM070	3212 230-207	3021 010-080	265.2-817	

Spare parts

Slide for CoroBore® XL



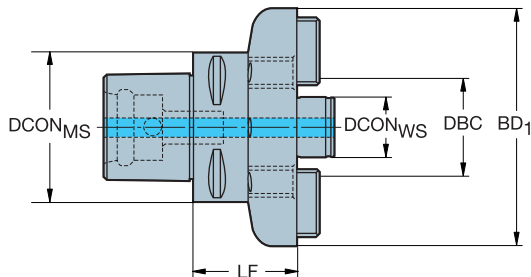
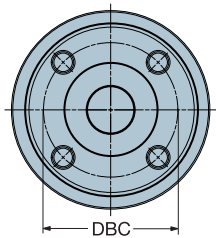
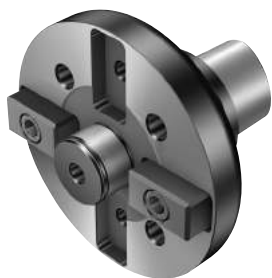
	Accessories	
	1	
Ordering code	Key	
S17-R820XLC4QC-080	3021 013-100	



	Spare parts		Accessories
	1	2	3
Ordering code	Screw	Pin	Key
S24-R820XLC5QC-095	3214 020-366	3113 030-409	3021 013-120

Coromant Capto® to CoroBore® XL adaptor

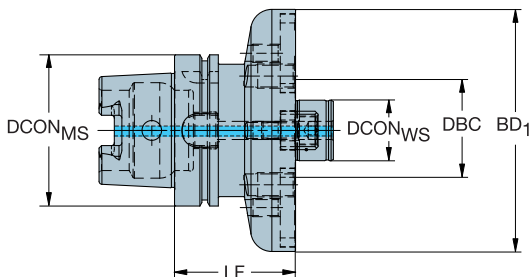
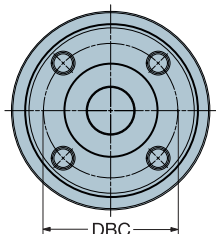
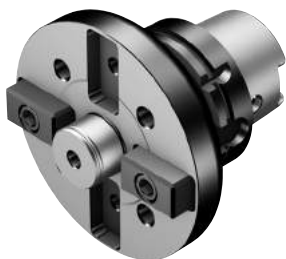
Internal coolant supply



		Dimensions, mm, inch									
CZC _{MS}	CZC _{WS}	CNSC	CXSC	Ordering code	DCON _{MS}	DCON _{WS}	DBC	LF	BD ₁		
C8	40X	1	1	C8-391.XL-40 065	80.0	40.0	101.6	65.0	160.0	80	7.09
					<i>3.150</i>	<i>1.575</i>	<i>4.000</i>	<i>2.559</i>	<i>6.299</i>	<i>1160</i>	
C10	40X	1	1	C10-391.XL-40 070	100.0	40.0	101.6	70.0	160.0	80	8.67
					<i>3.937</i>	<i>1.575</i>	<i>4.000</i>	<i>2.756</i>	<i>6.299</i>	<i>1160</i>	

HSK to CoroBore® XL adaptor

Internal coolant supply



		Dimensions, mm, inch										
CZC _{MS}	CZC _{WS}	CNSC	CXSC	DSGN	Ordering code	DCON _{MS}	DCON _{WS}	DBC	LF	BD ₁		
100.0	40X	1	1	1	392.410XL-10040 080	100.0	40.0	101.6	80.0	160.0	80	8.16
						<i>3.937</i>	<i>1.575</i>	<i>4.000</i>	<i>3.150</i>	<i>6.299</i>	<i>1160</i>	



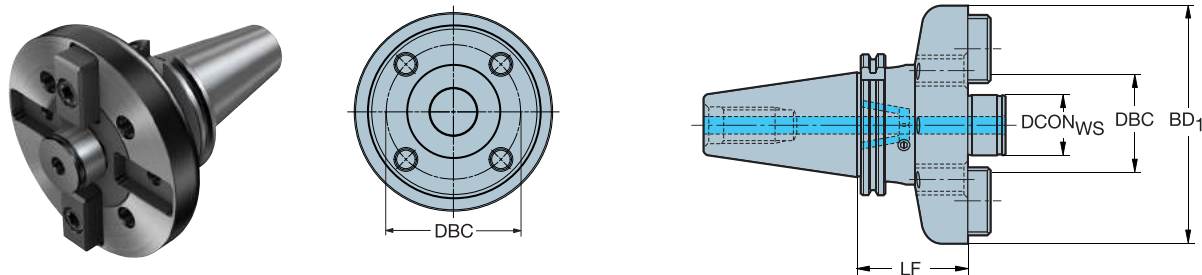
289



282

CAT-V to CoroBore® XL adaptor

Internal coolant supply

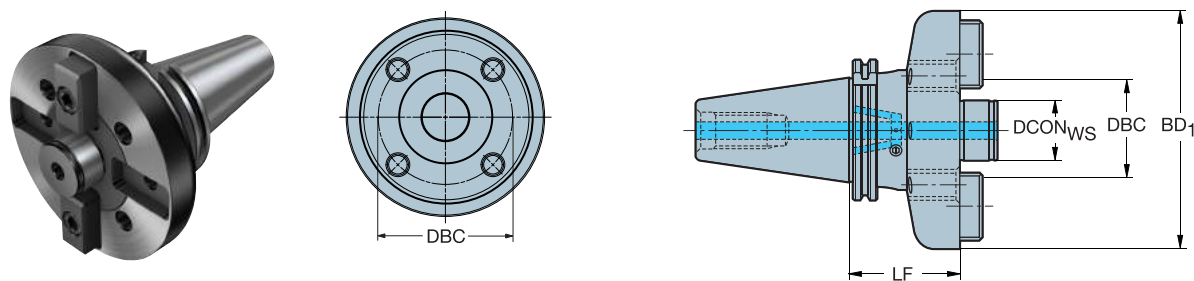


CAT V-Flange

					Dimensions, mm, inch							
CZC _{MS}	CZC _{WS}	CNSC	CXSC	DSGN	Ordering code	DBC	DCON _{WS}	LF	LB ₁	BD ₁	BAR PSI	KG
50	40X	7	1	1	A392.645XL-5040 075	101.6	40.0	75.0	75.0	160.0	20	3.38
						4.000	1.575	2.953	2.953	6.299	290	

ISO 7388-1 to CoroBore® XL adaptor

Internal coolant supply



ISO7388.1/MAS-BT 403

					Dimensions, mm, inch							
CZC _{MS}	CZC _{WS}	CNSC	CXSC	DSGN	Ordering code	DBC	DCON _{WS}	LF	LB ₁	BD ₁	BAR PSI	KG
50	40X	7	1	1	392.644XL-5040 075	101.6	40.0	75.0	75.0	160.0	80	8.46
						4.000	1.575	2.953	2.953	6.299	1160	
50	40X	7	1	1	392.646XL-5040 080	101.6	40.0	80.0	80.0	160.0	80	8.46
						4.000	1.575	3.150	3.150	6.299	1160	

All CoroBore XL solid holders have ground backside of flange and threads for the option to mount a shim to increase stability if needed. Shim needs to be ordered separately and ground to fit the specific machine and holder, see accessories page 260.



289

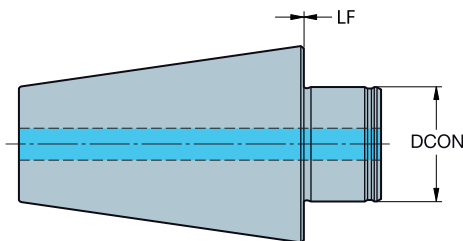


282

ENG

Centering plug

Internal coolant supply



ISO7388.1/MAS-BT 403

				Dimensions, mm, inch			
CZC _{MS}	CZC _{WS}	CNSC	CXSC	Ordering code	LF	BAR PSI	KG
50.0	40 plug	1	1	392.647XL-5040	0.0	80	2.00
					.000	1160	

CAT V-Flange

				Dimensions, mm, inch			
CZC _{MS}	CZC _{WS}	CNSC	CXSC	Ordering code	LF	BAR PSI	KG
50	40 plug	1	1	A392.647XL-5040	0.0	20	8.17
					.000	290	



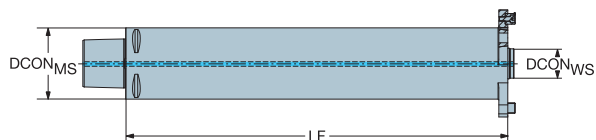
289



282

Coromant Capto® to CoroBore® XL damped tool body

Internal coolant supply



● ● ● ● SilentTools®

			Dimensions, mm, inch						
CZC _{MS}	CZC _{WS}	CNSC	Ordering code	DCON _{MS}	DCON _{WS}	LF	BD ₁	BAR PSI	KG
C8	33	3	C8-R822XLA33-F410	80.00	33.00	410.00	80.00	70	17.800
				3.150	1.299	16.142	3.150	1015	
C10	33	3	C10-R822XLA33-F560	100.00	33.00	560.00	80.00	70	26.400
				3.937	1.299	22.047	3.150	1015	

See page for boring tool kit to be used with this adaptor



289

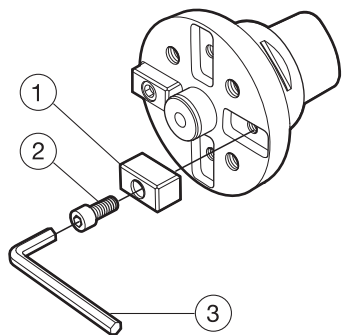


282

Spare parts

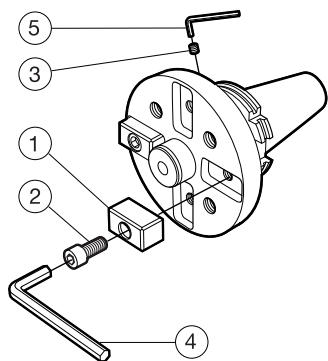
CoroBore® XL holders

ENG



	Spare parts		Included parts
	1	2	3
Ordering code	Driving key	Screw	Key
C8-391.XL-40 065	3193 110-060	3212 010-511	3021 010-100
C10-391.XL-40 070	3193 110-060	3212 010-511	3021 010-100

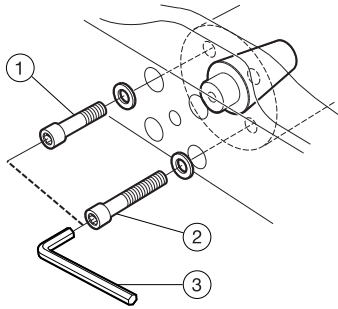
	Spare parts		Accessories
	1	2	3
Ordering code	Driving key	Screw	Key
392.410XL-10040 080	3193 110-060	3212 010-511	3021 010-100
392.410XL-12540 080	3193 110-060	3212 010-511	3021 010-100



	Spare parts			Accessories	
	1	2	3	4	5
Ordering code	Driving key	Screw	Screw	Key	Key
392.644XL-5040 075	3193 110-060	3212 010-511	3214 010-406	3021 010-100	3021 010-040
A392.645XL-5040 075	3193 110-060	3212 010-511	3214 010-406	3021 010-100	3021 010-040
392.646XL-5040 080	3193 110-060	3212 010-511	3214 010-406	3021 010-100	3021 010-040

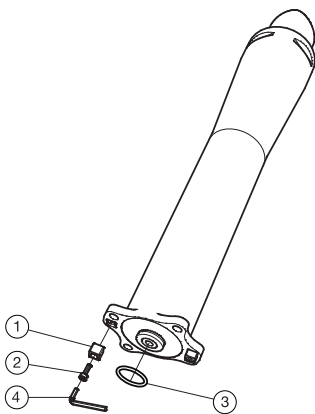
Spare parts

Centering plug



	Accessories			
	1	2	3	
Ordering code	Screw	Screw	Key	
392.647XL-5040	3212 010-569	3212 010-572	3021 010-140	
A392.647XL-5040	3212 031-762	3212 031-766		

Coromant Capto® to CoroBore® XL damped tool body

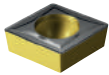


	Spare parts			Included parts	
	1	2	3	4	
Ordering code	Driving key	Screw	O-ring	Key	
C8-R822XLA33-F410	5631 053-02	3212 010-308	5641 001-13	3021 010-040	
C10-R822XLA33-F560	5631 053-02	3212 010-308	5641 001-13	3021 010-040	

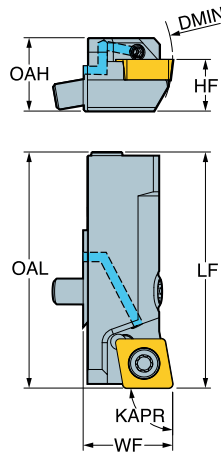
CoroBore® cartridge for boring

Axial and radial adjustment

KAPR 90°



- CCMT, CCGT
CCGX, CCET
- CCMW

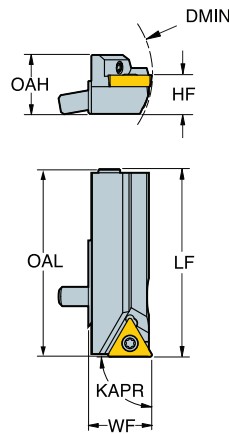


		Dimensions, mm, inch													
DMIN ₁		CZC _{MS}	CNSC	Ordering code	ADJLX _{AVL}	ADJLX _{RDL}	LF	HF	WF	OAH	OAL			CICT	MIID
25.0	06	08CB	2	SCFCR08CBX06	0.50	0.20	40.00	8.00	13.50	12.20	40.00	70	0.050	1	CCMT 06 02 04
.984					.020	.008	1.575	.315	.531	.480	1.575	1015			
40.0	09	10CB	2	SCFCR10CBX09	0.50	0.20	45.00	10.00	16.50	14.20	45.00	70	0.070	1	CCMT 09 T3 08
1.575					.020	.008	1.772	.394	.650	.559	1.772	1015			
50.0	12	12CB	2	SCFCR12CBX12	0.50	0.20	50.00	12.00	19.00	16.20	50.00	70	0.100	1	CCMT 12 04 08
1.969					.020	.008	1.969	.472	.748	.638	1.969	1015			

KAPR 90°



- TCMT, TCMX,
TCGT, TCGX
TCEX
- TCMW



		Dimensions, mm, inch													
DMIN ₁		CZC _{MS}	CNSC	Ordering code	ADJLX _{AVL}	ADJLX _{RDL}	LF	HF	WF	OAH	OAL			CICT	MIID
25.0	09	08CB	2	STFCR08CBX09	0.50	0.20	40.00	8.00	13.50	12.20	40.00	70	0.050	1	TCMT 09 02 04
.984					.020	.008	1.575	.315	.531	.480	1.575	1015			
40.0	11	10CB	2	STFCR10CBX11	0.50	0.20	45.00	10.00	16.50	14.20	45.00	70	0.070	1	TCMT 11 03 04
1.575					.020	.008	1.772	.394	.650	.559	1.772	1015			
50.0	16	12CB	2	STFCR12CBX16	0.50	0.20	50.00	12.00	19.00	16.20	50.00	70	0.100	1	TCMT 16 T3 08
1.969					.020	.008	1.969	.472	.748	.638	1.969	1015			

For inserts, see Turning tools catalogue



CoroBore® cartridge for boring

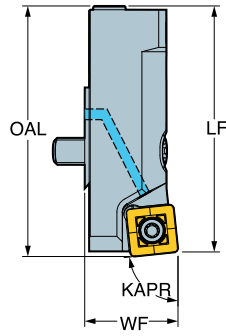
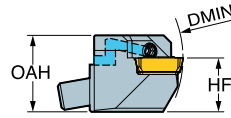
Axial and radial adjustment

KAPR

84°



SPMT



		Dimensions, mm, inch													
DMIN ₁	CZC _{MS}	CNSC	Ordering code	ADJLX _{AVL}	ADJLX _{RDL}	LF	HF	WF	OAH	OAL	BAR	KG	CICT	MIID	
25.0	06	08CB	2	SSYPR08CBX06	0.50	0.20	40.00	8.00	13.50	12.20	40.60	70	0.050	1	SPMT 0606-BM
.984					.020	.008	1.575	.315	.531	.480	1.598	1015			
40.0	08	10CB	2	SSYPR10CBX08	0.50	0.20	45.00	10.00	16.50	14.20	45.80	70	0.070	1	SPMT 0808-BM
1.575					.020	.008	1.772	.394	.650	.559	1.803	1015			
50.0	12	12CB	2	SSYPR12CBX12	0.50	0.20	50.00	12.00	19.00	16.20	51.20	70	0.100	1	SPMT 1210-BM
1.969					.020	.008	1.969	.472	.748	.638	2.016	1015			



104



289

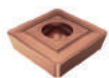


282

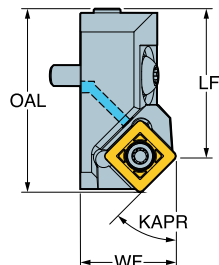
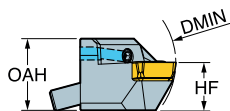
CoroBore® cartridge for boring

Axial adjustment

KAPR 45°



SPMT

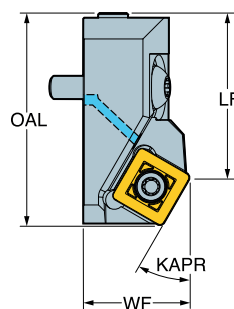
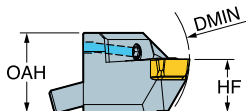


		Dimensions, mm, inch												
DMIN ₁	CZC _{MS}	CNSC	Ordering code	ADJLX _{AVL}	LF	HF	WF	OAH	OAL	BAR	KG	CICT	MIID	
20.0 .787	06	06CC	2 SSSPR06CCX06	0.50 .020	21.00 .827	6.00 .236	11.00 .433	10.20 .402	24.80 .976	70	0.020	1	SPMT 0606-BM	
25.0 .984	08	08CC	2 SSSPR08CCX08	0.50 .020	25.00 .984	8.00 .315	16.00 .630	12.20 .480	30.70 1.209	70	0.040	1	SPMT 0808-BM	
40.0 1.575	12	10CC	2 SSSPR10CCX12	0.50 .020	32.00 1.260	10.00 .394	21.00 .827	14.00 .551	40.20 1.583	70	0.070	1	SPMT 1210-BM	

KAPR 30°



SPMT



		Dimensions, mm, inch												
DMIN ₁	CZC _{MS}	CNSC	Ordering code	ADJLX _{AVL}	LF	HF	WF	OAH	OAL	BAR	KG	CICT	MIID	
20.0 .787	06	06CC	2 SSTPR06CCX06	0.50 .020	21.00 .827	6.00 .236	11.00 .433	10.20 .402	25.60 1.008	70	0.020	1	SPMT 0606-BM	
25.0 .984	08	08CC	2 SSTPR08CCX08	0.50 .020	25.00 .984	8.00 .315	16.00 .630	12.20 .480	31.90 1.256	70	0.040	1	SPMT 0808-BM	
40.0 1.575	12	10CC	2 SSTPR10CCX12	0.50 .020	32.00 1.260	10.00 .394	21.00 .827	14.20 .559	42.00 1.654	70	0.080	1	SPMT 1210-BM	



104



289



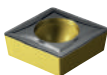
282

CoroBore® cartridge for boring

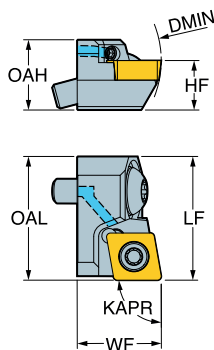
No adjustment

KAPR

90°



- CCMT, CCGT
CCGX, CCET
- CCMW



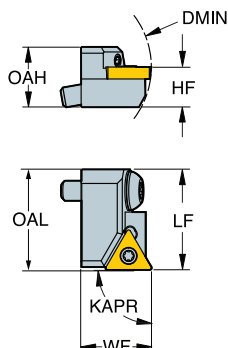
		Dimensions, mm, inch											
DMIN ₁		CZC _{MS}	CNSC	Ordering code	LF	HF	WF	OAH	OAL	BAR	KG	CICT	MIID
20.0	06	06CD	2	SCFCR06CDX06	16.00	6.00	11.00	10.20	16.00	70	0.020	1	CCMT 06 02 04
.787					.630	.236	.433	.402	.630	1015			
25.0	06	08CD	2	SCFCR08CDX06	20.00	8.00	14.00	12.00	20.00	70	0.030	1	CCMT 06 02 04
.984					.787	.315	.551	.472	.787	1015			
40.0	09	10CD	2	SCFCR10CDX09	25.00	10.00	17.00	14.20	25.00	70	0.050	1	CCMT 09 T3 08
1.575					.984	.394	.669	.559	.984	1015			
50.0	12	12CD	2	SCFCR12CDX12	30.00	12.00	20.00	16.20	30.00	70	0.070	1	CCMT 12 04 08
1.969					1.181	.472	.787	.638	1.181	1015			

KAPR

90°



- TCMT, TCMX,
TCGT, TCGX
TCEX
- TCMW



		Dimensions, mm, inch											
DMIN ₁		CZC _{MS}	CNSC	Ordering code	LF	HF	WF	OAH	OAL	BAR	KG	CICT	MIID
20.0	06	06CD	2	STFCR06CDX06	16.00	6.00	11.00	10.20	16.00	70	0.020	1	TCMT 06 T1 02
.787					.630	.236	.433	.402	.630	1015			
25.0	09	08CD	2	STFCR08CDX09	20.00	8.00	14.00	12.20	20.00	70	0.030	1	TCMT 09 02 04
.984					.787	.315	.551	.480	.787	1015			
40.0	11	10CD	2	STFCR10CDX11	25.00	10.00	17.00	14.20	25.00	70	0.050	1	TCMT 11 03 04
1.575					.984	.394	.669	.559	.984	1015			
50.0	16	12CD	2	STFCR12CDX16	30.00	12.00	20.00	16.20	30.00	70	0.070	1	TCMT 16 T3 08
1.969					1.181	.472	.787	.638	1.181	1015			

For inserts, see Turning tools catalogue



289



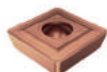
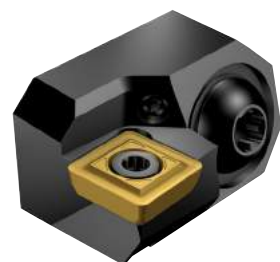
282

CoroBore® cartridge for boring

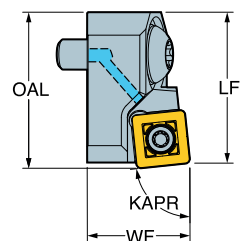
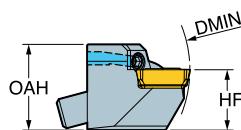
No adjustment

KAPR

84°



SPMT



				Dimensions, mm, inch											
DMIN _i	CZC _{MS}	CNSC	Ordering code	LF	HF	WF	OAH	OAL	BAR	KG	CICT	MIID			
20.0 .787	06 06CD	2	SSYPR06CDX06	16.00 .630	6.00 .236	11.00 .433	10.20 .402	16.60 .654	70	0.020	1	SPMT 0606-BM			
25.0 .984	08 08CD	2	SSYPR08CDX08	20.00 .787	8.00 .315	14.00 .551	12.20 .480	20.80 .819	70	0.030	1	SPMT 0808-BM			
40.0 1.575	08 10CD	2	SSYPR10CDX08	25.00 .984	10.00 .394	17.00 .669	14.00 .551	25.80 1.016	70	0.050	1	SPMT 0808-BM			
50.0 1.969	12 12CD	2	SSYPR12CDX12	30.00 1.181	12.00 .472	20.00 .787	16.20 .638	31.20 1.228	70	0.070	1	SPMT 1210-BM			



104

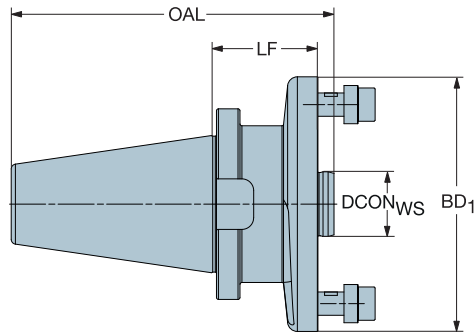


289



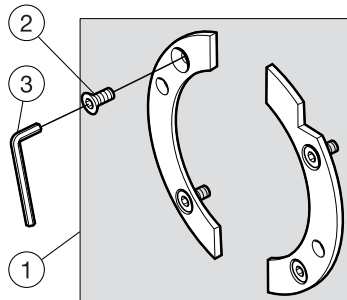
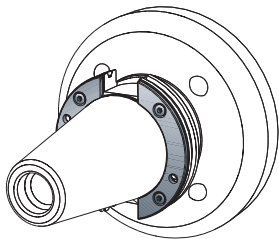
282

Corobore® XL pre measuring unit



				Dimensions, mm, inch				
CZC _{MS}	CZC _{WS}	CNSC	Ordering code	OAL	DCON	LF	BD ₁	KG
50	33	0	150-PMU-A33	178.30	33	50.0	130.0	5.59
				7.019	1.299	1.969	5.118	

Shim set

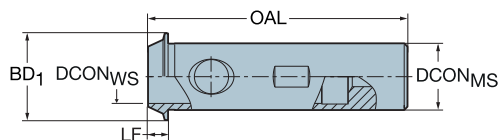


1	2	3
Shim set	Screw	Key
5549 128-50	3213 011-256	3021 010-025 (2.5)



Sleeve for fine boring head

ENG



					Dimensions, mm, inch									
CZC _{MS}	CZC _{WS}	CNSC	CXSC	Ordering code	DCON _{MS}	DCON _{WS}	BD	LSC	OAL	LF	BAF PSI	KG		
20	16	1	1	393.37A-20 16 072	20	16	26	72.0	78	6	20	0.114		
					.787	.630	1.024	2.835	3.071	.236	290			

To be used with R429U/R429.90 boring bars



Code key for CoroBore® Kits

B	R	2	0	D	-	36	CC	09	F	-	C	3	L
1	2	3	4	5		6	7	8	9		10	11	12

<p>1 Product group</p> <p>B= Boring</p>	<p>2 Type of product</p> <p>R= Rough boring</p> <p>F= Fine boring</p>	<p>3 Product family</p> <p>1= Back boring (single-edge)</p> <p>2= Twin-edge boring</p> <p>3= Multi-edge boring (3 or more cutting edges)</p>	<p>4 Version</p>
<p>5 Product attribute</p> <p>D= Damped</p>	<p>6 Max cutting diameter (mm)</p>	<p>7 Insert type</p>	<p>8 Insert size</p>
<p>9 Entering angle</p> <p>F= 90°</p> <p>Y= 84°</p>	<p>10 Coupling type</p> <p>C= Coromant Capto®</p> <p>EH= Coromant EH</p>	<p>11 Coupling size</p>	<p>12 Length version</p> <p>S= Small</p> <p>M= Medium</p> <p>L= Long</p>

Code key for CoroBore® Kits

820	D	-	51	CC	09	-	C	5	HP
1	2		3	4	5		6	7	8

1	Product family

2	Product attribute
D= Damped	
L= Lightweight	

3	Max cutting diameter (mm)

4	Insert type

5	Insert size

6	Coupling type

7	Coupling size

8	Product attribute

Code key for CoroBore® 111 inserts

S	P	M	T	08	08	-	BM	4325
1	2	3	4	5	6		7	8

1	Insert shape

2	Insert clearance angle

3	Tolerances, metric

4	Insert type

5	Cutting edge length
06=	6.00
08=	8.91
12=	12.66
18=	18.61

6	Nose radius, RE mm
06=	RE 0.6
08=	RE 0.8
12=	RE 1.0
18=	RE 1.2

7	Geometry
BR=	Boring Rough
BM=	Boring Medium

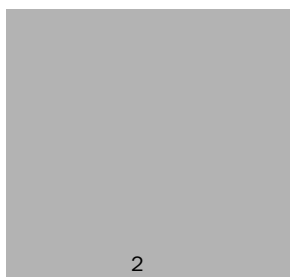
8	Grade

CoroBore® BR20

Operations



1



2

1. Twin-edge boring
 - Increased feed rate is applicable.
2. Twin-edge step boring
 - High cutting depth is applicable.
 - Built in functionality in slide

Insert choice



Entering angle
Lead angle

90°
0°

84°
6°

90°
0°

CoroTurn® 107 screw clamping

For applications that require lower cutting forces



84°
6°

CoroBore® 111 screw clamping

Dedicated rough boring insert with optimized grade selection for P,M,K,S

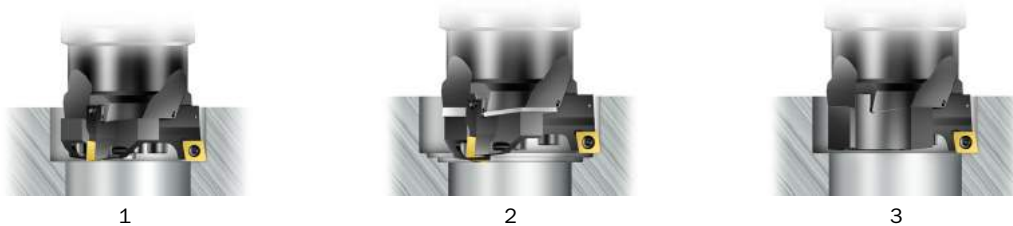
Maximum cutting speed, V_c max:

BR20: 1200 m/min (3937 ft/min)

BR20 Damped: 900 m/min (2953 ft/min)

CoroBore® BR30

Operations



1. Multi-edge boring
 - Increased feed rate is applicable.

2. Multi-edge step boring
 - High cutting depth is applicable.
 - Shim-set is required, to be ordered separately. LF-dimension when using shim set increases 1-2 mm (.039-.079 inch).
 - Slides of R820x-AR... and R820x-BR... with kappa 90 degree can be combined



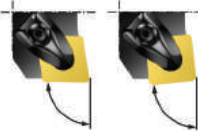
3. Single-edge boring:
 - Two covers are required, to be ordered separately.

Shim-set and cover - CoroBore® BR30

Adaptor size	Shim set	Thickness		Cover
		mm	inch	
A	R820A-AS00B	0.5+1	.020+.039	R820A-AC10B
B	R820B-AS00B	0.5+1	.020+.039	R820B-AC11B
C	R820C-AS00B	0.5+1	.020+.039	R820C-AC15B
D	R820D-AS00B	0.5+1	.020+.039	R820D-AC17A
E	R820E-AS00B	0.8+1.6	.031+.063	R820E-AC20A
F	R820F-AS00B	0.8+1.6	.031+.063	R820F-AC22A
G	R820G-AS00B	0.8+1.6	.031+.063	R820G-AC22A
H	R820H-AS00B	1+2	.039+.079	R820H-BC24A

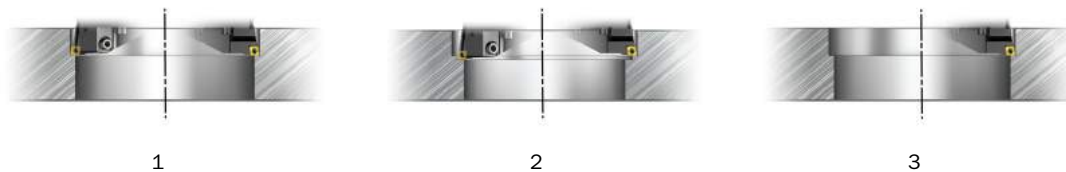
Maximum cutting speed, Vc max: Conventional: Vc 1200 m/min (3937 ft/min)

Insert choice

			
Entering angle	90°	84°	90° 84°
Lead angle	0°	6°	0° 6°
	CoroTurn® 107 screw clamping For applications that require lower cutting forces	CoroBore® 111 screw clamping Dedicated rough boring insert with optimized grade selection for P,M,K,S	T-Max® P, CoroTurn® RC rigid clamping For applications that require strong inserts in stable conditions

CoroBore® 820 XL

Operations



1. Twin-edge boring
 - Increased feed rate is applicable.

2. Twin-edge step boring
 - High cutting depth is applicable.
 - Axially adjustable cartridges +1.5 mm (.059 inch).
 - Cartridges with Kappa 90° (0°) entering angle (lead angle) should be used when step-boring.

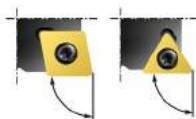
3. Single-edge boring:
 - Adjust unused cutting edge to a smaller diameter and use it as a counterweight.

Holders for CoroBore XL, diameter 150–1275 mm (5.906–50.197 inch)

Must be bought separately. Available interfaces: C8,C10, HSK-A 100, HSK-A 125, CAT-V 50, ISO 7388/1 50, MAS BT 50

Maximum cutting speed, V_c max: Conventional: 1200 m/min (3937 ft/min), Light weight: 600 m/min (1969 ft/min)

Insert choice



Entering angle
Lead angle

90° 90°
0° 0°

CoroTurn® 107 screw clamping

- For applications that require lower cutting forces



90° 84°
0° 6°

CoroBore® 111 screw clamping

- Dedicated rough boring insert with optimized grade selection for PM,K,S



90° 84°
0° 6°

T-Max® P, CoroTurn® RC rigid clamping

- For applications that require strong inserts in stable conditions

CoroBore® 825

Operations



Conventional:

The geometrical restriction (LU) is only valid when boring diameter (DC) is smaller than the coupling diameter (DCON_{MS}). Maximum recommended hole depth (for forward boring) when the boring diameter (DC) is larger than the coupling diameter (DCON_{MS})

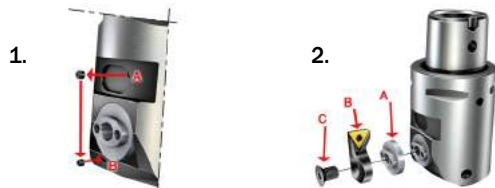
CoroBore® 825 EH:

The single cutting-edge position will be correct when using cylindrical or conical EH holders (available in steel, solid carbide, heavy metal) as it is possible to rotate the assembly in the chuck (using a CoroChuck 930, shrink fit, collet chuck) to find the single edge cutting position.

Backboring with CoroBore® 825 (Conventional)

1. Remove grub screw from coolant duct A and screw it into coolant duct B.
2. Lock A (if used) + B + C with correct torque.
3. Change spindle direction to counter clockwise (M04).

Backboring for CoroBore® 825D (Damped)



Diameter mm inch	Slide extension	Thickness mm inch	Diameter extension mm inch
19-36 .748-1.417	825A-030A	3 .118	+6 +.236
35-56 1.378-2.205	825B-036A	3.6 .142	+7.2 +.283
55-1275 2.165-50.197	825C-048A	4.8 .189	+9.6 +.378

Diameter range, forward boring mm inch	Diameter range, back boring mm inch	Back boring cartridge kit (1pcs cartridge, 1pcs slide extension)	Back boring cartridge	Slide extension
19-36 .748-1.417	31-48 1.220-1.890	825A-TC06U-BW	L825A-AF11STUC06T1	825A-030A
35-56 1.378-2.205	48-69 1.890-2.717	825B-TC06U-BW	L825B-AF15STUC06T1	825B-036A
55-167 2.165-6.575	69-181 2.717-7.126	825C-TC09U-BW	L825C-AF20STUC0902	825C-048A

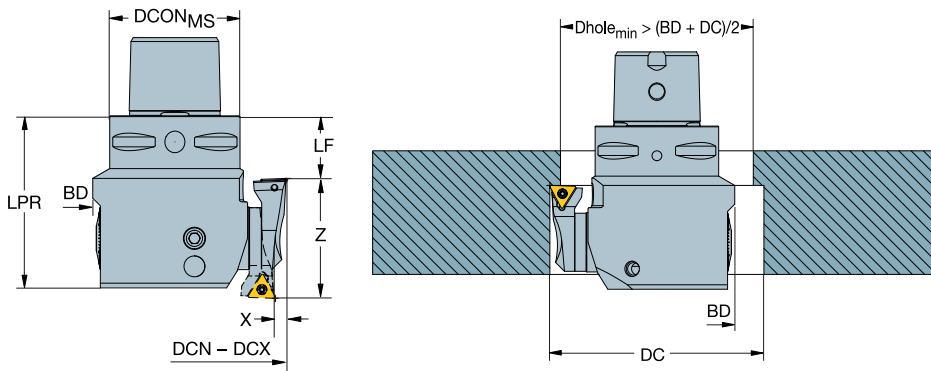
Maximum cutting speed, V_c max: **Conventional:** V_c 1200 m/min (3937 ft/min), **Light weight:** V_c 600 m/min (1969 ft/min) **Damped:** V_c 900m/min (2953 ft/min)

Insert choice

CoroTurn® 107 inserts



Backboring with CoroBore® 825 (Conventional)



Cartridge size	Z	Z	X	X
	mm	inch	mm	inch
A	22	.866	3.0	.118
B	34	1.339	3.6	.142
C	46	1.811	4.8	.189

Backboring for CoroBore® 825

In case of backboring, LF will be reduced by twice LF of cartridge. That means:

- LF – 22 mm (.866 inch) for Size A (e.g. R825A-AF11STUC06T1A)
- LF – 34 mm (1.417 inch) for Size B (e.g. R825B-AF17STUC0902A)
- LF – 46 mm (1.811 inch) for Size C (e.g. R825C-AF23STUC1103A)
- Attention change rotation direction -> left hand!

DC will be increased by twice WF of slide extension. That means:

- $2 \times 3.0 (.118) = 6.0 \text{ mm } (.236 \text{ inch})$ for Size A (825A-030A)
- $2 \times 3.6 (.141) = 7.2 \text{ mm } (.282 \text{ inch})$ for Size B (825B-036A)
- $2 \times 4.8 (.189) = 9.6 \text{ mm } (.378 \text{ inch})$ for Size C (825C-048A)
- Calculation of minimum possible hole diameter: $D_{\text{hole}_{\text{min}}} = (BD+DC)/2+1$

Backboring for CoroBore® 825XL

In case of backboring, LF will be reduced by twice LF of cartridge. That means:

- LF – 46 mm (1.811 inch) for Size C (e.g. R825C-AF23STUC1103A)
- Attention change rotation direction -> left hand!

DC will be increased by twice WF of slide extension. That means:

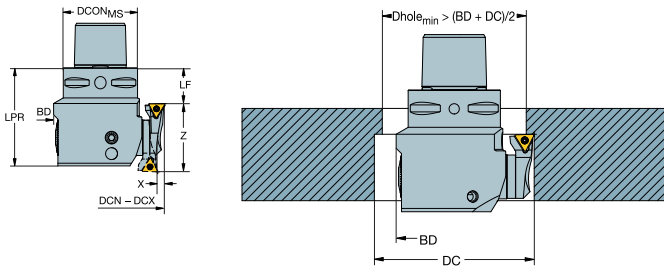
- $2 \times 4.8 (.189) = 9.6 \text{ mm } (.378 \text{ inch})$ for Size C (825C-048A)
- Calculation of minimum possible hole diameter: $D_{\text{hole}_{\text{min}}} > (DC+DC-26)/2$

Additionally it is necessary to adjust A34 fine boring head to maximum.

Example: Diameter range for 825-215TC11-C6

- **DCN (backboring)** = (DCN(forward))+(2x A34-R825 stroke)+(2x slide extension) = 148 mm (5.827 inch)+15 mm (.591 inch)+9,6 mm (.378 inch) = **172,6 mm (6.795 inch)**
- **DCX (backboring)** = (DCX(forward))+(2x slide extension) = 215 mm (8.465 inch)+9,6 mm (.378 inch) = **224,6 mm (8.843 inch)**

Backboring for CoroBore® 825D (Damped)



Cartridge

Slide extension

Size	Cartridge				Slide extension									
	LF		WF		LF		WF		WF		X		Z	
	mm	inch	mm	inch	mm	inch	mm	inch	mm	inch	mm	inch	mm	inch
A	11	.433	5	.197	11	.433	8.0	.315	3.0	.118	6.0	.236	22	.866
B	17	.669	7	.276	15	.591	9.9	.390	3.6	.142	6.5	.256	32	1.260

Backboring for CoroBore® 825D

In case of backboring, LF will be reduced by the LF forward + LF backward. That means:

- LF – 22 mm (.866 inch) for Size A
- LF – 32 mm (1.260 inch) for Size B
- LF – 43 mm (1.693 inch) for Size C
- Attention: rotation direction will stay right hand!

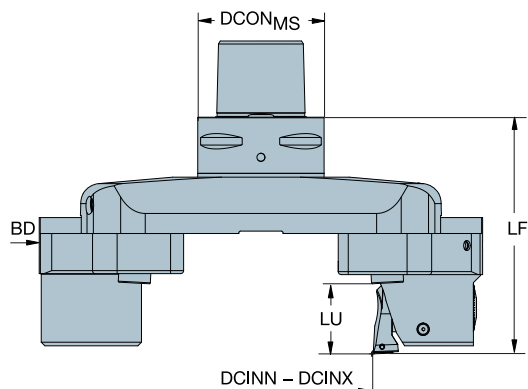
DC will be increased by twice the WF of slide extension - WF forward + WF backward. That means:

- $DC + 2 \times (3.0 - 5.0 + 8.0) = 12.0 \text{ mm}$ for Size A
 $DC + 2 \times (.118 - .197 + .315) = .472 \text{ inch}$ for Size A
- $DC + 2 \times (3.6 - 7.0 + 9.9) = 13.0 \text{ mm}$ for Size B
 $DC + 2 \times (.142 - .276 + .390) = .512 \text{ inch}$ for Size B
- $DC + 2 \times (4.8 - 10.0 + 12.2) = 14.0 \text{ mm}$ for Size C
 $DC + 2 \times (.189 - .394 + .480) = .551 \text{ inch}$ for Size C
- Calculation of minimum possible hole diameter: $D_{hole_{min}} = (BD+DC)/2+1$

Note! Backboring is only valid for CoroBore® 825D and not CoroBore® 825D XL or CoroBore® 825



External boring



External boring for CoroBore® 825XL

In case of external boring, LF will remain the same.

Example: Diameter range for 825-215TC11-C6

- **DCN (external)** = $DCN(\text{forward}) - (2 \times DMIN \text{ A34-R825}) - (2 \times \text{A34-R825 stroke}) = 148 \text{ mm (5.827 inch)} - 110 \text{ mm (4.331 inch)} - 15 \text{ mm (.591 inch)} = \underline{\underline{23 \text{ mm (.906 inch)}}}$
- **DCX (external)** = $DCX(\text{forward}) - (2 \times DMIN \text{ A34-R825}) - (2 \times \text{A34-R825 stroke}) = 215 \text{ mm (8.465 inch)} - 110 \text{ mm (4.331 inch)} - 15 \text{ mm (.591 inch)} = \underline{\underline{90 \text{ mm (3.543 inch)}}}$
- Attention change rotation direction -> left hand!

The usable length for external boring at diameter 23 mm (.906 inch) to 190 mm (7.480 inch) (Forward boring: 148 mm (5.827 inch) to 315 mm (12.402 inch)) is 34 mm (1.339 inch).

The usable length for external at diameter 173 mm (6.811 inch) to 1150 mm (45.276 inch) (Forward boring: 298 mm (11.732 inch) to 1275 mm (50.197 inch)) is 28 mm (1.102 inch).

External boring for CoroBore® 826XL

In case of external boring, LF will remain the same.

Example: Diameter range for 826-200TC11-C6

- **DCN (external)** = $DCN(\text{forward}) - (2 \times DMIN \text{ A34-R825}) = 148 \text{ mm (5.827 inch)} - 110 \text{ mm (4.331 inch)} = \underline{\underline{38 \text{ mm (1.496 inch)}}}$
- **DCX (external)** = $DCX(\text{forward}) - (2 \times DMIN \text{ A34-R825}) = 200 \text{ mm (7.874 inch)} - 110 \text{ mm (4.331 inch)} = \underline{\underline{90 \text{ mm (3.543 inch)}}}$
- Attention change rotation direction -> left hand!

The usable length for external boring at diameter 38 mm (1.496 inch) to 190 mm (7.480 inch) (Forward boring: 148 mm (5.827 inch) to 300 mm (11.811 inch)) is 34 mm (1.339 inch).

The usable length for external at diameter 188 mm (7.402 inch) to 1150 mm (45.276 inch) (Forward boring: 298 mm (11.732 inch) to 1260 mm (49.606 inch)) is 28 mm (1.102 inch).

CoroBore® 826 HP

Operations



Boring



- Use the High precision coolant for improved chip breaking



- Feel the microns! Every diameter increment of 0.002 mm (.000079 inch) can be felt with a click



- The CB826 cartridge is rotated 90 degrees compared to CB825 cartridge!

Maximum cutting speed, V_c max: V_c 1200 m/min (3937 ft/min)

Insert choice

CoroTurn® 107 inserts



Entering angle
Lead angle

92°
-2°



CoroTurn® 107:
TC.. 1103

CoroBore® 825 XL/CoroBore® 826 XL

Operations



Boring



Back boring



External operations

Holders for CoroBore XL

Must be bought separately. Available interfaces: C8, C10, HSK-A 100, HSK-A 125, CAT-V 50, ISO 7388/1 50, MAS BT 50

Back boring (not for CoroBore® 826HP and 825 SL)

1. Remove grub screw from coolant duct A and screw it into coolant duct B.
2. Lock A (if used) + B + C with correct torque.
3. Change spindle direction to counter clockwise (M04).

1.



2.



Diameter mm <i>inch</i>	Slide extension (A)	Thickness mm <i>inch</i>	Diameter extension mm <i>inch</i>
55-1275 <i>2.165-50.197</i>	825C-048A	+4.8 <i>+.189</i>	+9.6 <i>+.378</i>

Maximum cutting speed, V_c max:

Conventional: V_c 1200 m/min (3937 ft/min), **Light weight:** V_c 600 m/min (1968 ft/min), **Damped:** V_c 600 m/min (1968 ft/min)

Insert choice

CoroTurn® 107 inserts



Entering angle
Lead angle

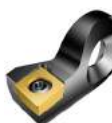
92°
-2°



95°
-5°



CoroTurn® 107
TCMT1103
(TCMT 22)



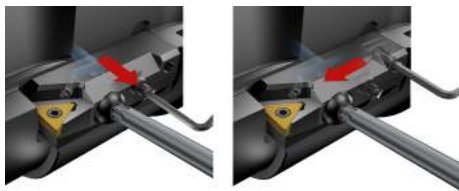
CoroTurn® 107:
CCMT 09
(CCMT3 (2.5))



CoroTurn® 107:
TC.. 1103

CoroBore®

Built-in cartridges - CB, CC and CD



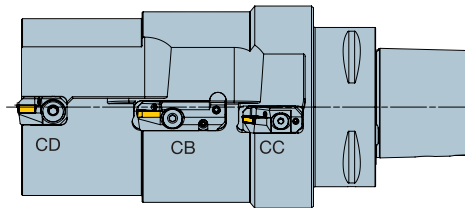
CB - Boring axial and radial adjustment



CC - Chamfer axial adjustment



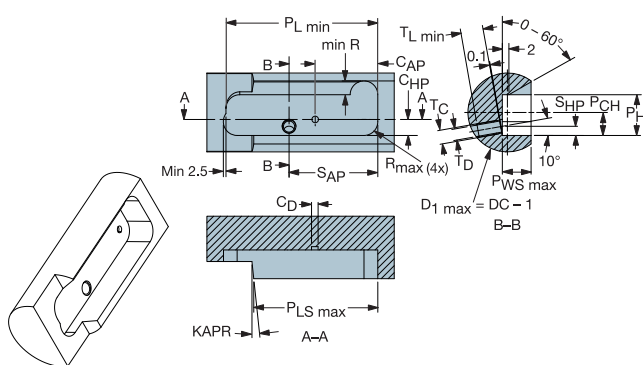
CD - Fixed, no adjustment



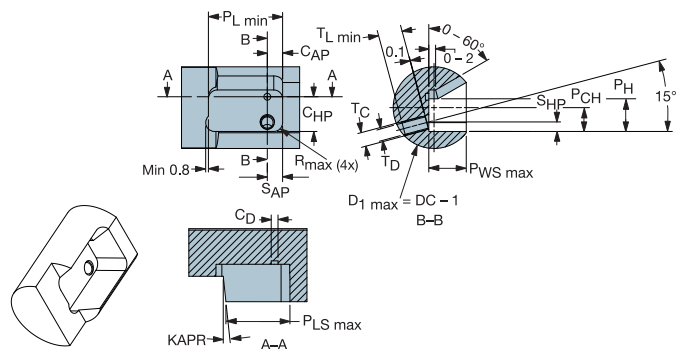
Size/type	Clamping set	Clamping torque		Key size
		Nm	In-lbs	
06CB	5519 201-01	4.8	42.5	15IP
10CB	5519 201-02	9.0	79.7	20IP
12CB	5519 201-03	16.0	141.6	25IP
06CC	5519 202-01	3.2	28.3	10IP
08CC	5519 202-02	4.8	42.5	15IP
10CC	5519 202-04	16.0	141.6	25IP
06CD	5519 202-01	3.2	28.3	10IP
08CD	5519 202-02	4.8	42.5	15IP
10CD	5519 202-03	16.0	141.6	25IP
12CD	5519 202-04	16.0	141.6	25IP

Parameter	Description
P _L min	Pocket length min
P _{CH}	Pocket center height
P _H	Pocket height
P _{LS} max	Pocket length support max
KAPR	Tool cutting edge angle
P _{WS} max	Pocket width support max
R _{max}	Radius max
S _{AP}	Screw axial position
S _{HP}	Screw height position
T _D	Thread size
T _C	Thread counterbore dia
T _L min	Thread length min
C _{AP}	Coolant axial position
C _{HP}	Coolant height position
C _D	Coolant hole dia

Type CB



Type CC and CD



CoroBore® BC

Combination Boring Tools

Create your customized tool and combine the different options in the way that best suits your production. To order contact your local Sandvik Coromant representative.

Tailored to your needs: Unique design-automated customized solutions with possibility to build on tool for multiple operations.

Flexibility: Offers true flexibility with considerably shorter lead times compared to engineered tools.

Program: Instant quotation including price, delivery time and proposal drawings

Application

- Semi-finishing boring
- Chamfering boring

ISO application area:



Program range

Operations

Choose up to four operations in one customized tool, with maximum two cutting edges per operation.

Cutting diameter and tool length

Diameter range: 25-200 mm (0.984-7.87 inch)

Maximum tool length: 400 mm (15.7 inch)

Machine interface

Coromant Capto® : C3, C4, C5, C6, C8, C10

HSK form A: 32, 40, 50, 63, 80, 100

Additional features

ISO 6987 ID chips, individually balanced and rotated polygon 90/180/270 degrees



Cartridges

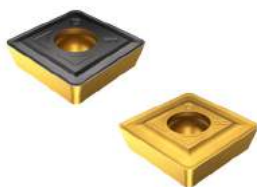
Three types of cartridges available with different degree of adjustability:

- CB: radial and axial adjustment
- CC: only axial adjustment (chamfer)
- CD: Non adjustable

Unrelated and related chamfer: Possibility to create both

Stocked standard inserts

Available with both ISO inserts as well as CoroBore® 111 inserts with an optimized grade selection for boring operations.



High precision coolant

High precision nozzles on the cartridges give an exact coolant flow through the tool to the cutting edge. CoroBore® cartridges handle up to 80 bar (1160 PSI) with nozzle precision, increasing tool life and enabling excellent chip breaking control even at lower pressure.



Tightening torque

Coromant Capto®

Coromant Capto® size	NM	FT/LBS
C3	40-50	30-37
C4	50-60	37-44
C5	90-100	67-74
C6-C8	160-180	118-133
C10	380	283

Insert screw

Insert	NM	FT/LBS
TC05 / TC06 / TP06	0.6	0.4
TC09 / TP09 / SP06	0.8	0.6
TC1103 / TP1103 / CC06	0.9	0.7
SP08	1.7	1.25
SP12	2	1.5
CC09 / CC12 / SC09 / SC12 / TC16 / TC22 / SP18	3	2.2
CN12 / SN12	3.9	2.9
CN16 / SN15 / RC16	6.4	4.7

Coromant EH coupling

Size	NM	FT/LBS
16	30	22
20	50	37
25	65	48

CoroBore® BR10

Size	DCN mm	DCX mm	Insert				Screw size
			ISO	ANSI	NM	FT/LBS	
90°							
A	32	38	CC06	CC2(1.5)	4.8	3.5	M4
B	37	45	CC06	CC2(1.5)	4.8	3.5	M4
C	44	54	CC06	CC2(1.5)	9	6.6	M5
D	53	65	CC06	CC2(1.5)	16	11.8	M6
DX	64	76	CC09	CC3(2.5)	16	11.8	M6
E	75	91	CC12	CC43	38	28	M8
F	90	110	CC12	CC43	75	55.3	M10
G	109	136	CC12	CC43	75	55.3	M10
H	135	170	CC12	CC43	75	55.3	M10

CoroBore® BR20



Size	DCN mm	DCX mm	Insert								
			90°				84°				
ISO	ANSI	NM	FT/LBS	Screw size	Coromant standard	NM	FT/LBS	Screw size			
A	23	29	CC06	CC2(1.5)	4.8	3.5	M4	SP06	4.8	3.5	M4
B	28	36	CC06	CC2(1.5)	4.8	3.5	M4	SP06	4.8	3.5	M4
C	35	45	CC09	CC3(2.5)	9	6.6	M5	SP08	9	6.6	M5
D	44	56	CC09	CC3(2.5)	16	11.8	M6	SP08	16	11.8	M6
E	55	71	CC12	CC43	38	28	M8	SP12	38	28	M8
F	70	90	CC12	CC43	75	55	M10	SP12	75	55	M10
G	89	116	CC12	CC43	75	55	M10	SP12	75	55	M10
H	115	150	CC12	CC43	75	55	M10	SP12	75	55	M10

CoroBore® BR30



Size	DCN mm	DCX mm	Insert										
			90°						84°				
ISO	ANSI	NM	FT/LBS	Screw size	ISO	ANSI	Coromant standard	NM	FT/LBS	Screw size			
A	35	40.5	CC06	CC2(1.5)	4.8	3.5	M4						
	39.5	45	CC06	CC2(1.5)	4.8	3.5	M4						
B	44	50.5	CC06	CC2(1.5)	9	6.6	M4						
	49.5	56	CC06;CC09	CC2(1.5);CC3(2.5)	9	6.6	M5						
C	55	63	CC09	CC3(2.5)	16	11.8	M6						
	62	70	CC09;CC12	CC3(2.5);CC43	16	11.8	M6						
D	69	78.5	CC12	CC43	16	11.8	M6						
	77.5	87	CC12	CC43	16	11.8	M6						
E	86	97	CC12	CC43	38	28	M8						
	96	107	CC12	CC43	38	28	M8						
F	106	122	CC12	CC43	75	55.3	M10	SN12	SN43	SP13	75	55.3	M10
	121	137	CC12	CC43	75	55.3	M10	SN13	SN44	SP14	75	55.3	M10
G	136	152	CC12	CC43	75	55.3	M10	SN14	SN45	SP15	75	55.3	M10
	151	167	CC12	CC43	75	55.3	M10	SN15	SN46	SP16	75	55.3	M10
H	166	191	CC12;CN16	CC43;CN54	75; 120	55.3; 88.5	M10; M12	SN15	SN54	SP17	75; 120	55.3; 88.5	M10; M12
	189	214	CC12;CN16	CC43;CN54	75; 120	55.3; 88.5	M10; M12	SN16	SN55	SP18	75; 120	55.3; 88.5	M10; M12
I	212	237	CC12;CN16	CC43;CN54	75; 120	55.3; 88.5	M10; M12	SN17	SN56	SP19	75; 120	55.3; 88.5	M10; M12
	235	260	CC12;CN16	CC43;CN54	75; 120	55.3; 88.5	M10; M12	SN18	SN57	SP20	75; 120	55.3; 88.5	M10; M12
IX	258	283	CC12;CN16	CC43;CN54	75; 120	55.3; 88.5	M10; M12	SN19	SN58	SP21	75; 120	55.3; 88.5	M10; M12
	281	306	CC12;CN16	CC43;CN54	75; 120	55.3; 88.5	M10; M12	SN20	SN59	SP22	75; 120	55.3; 88.5	M10; M12

Tightening torque



CoroBore® 820 XL / 820L XL

Diameter range, mm (inch)	 	
148-300 (5.512-11.811)		
Bridge	100	74
Slide	60	44
Cartridge	60	44



CoroBore® 820 XL

Diameter range, mm (inch)	 	
298-1260 (11.732-49.606)		
Bridge	200	148
Bridge extension	100	74
Slide	60	44
Cartridge	60	44



CoroBore® 825 XL / 826 XL / 825D XL / 826D XL / 825L XL / 826L XL

Diameter range, mm (inch)	 	
825: 148-315 (5.866-12.402)		
826: 148-300 (5.866-11.810)		
Bridge	100	74
Slide	60	44
Counterweight	60	44
Fine boring head	14	10
Locking screw	6	4.4
Cartridge screw	6	4.4



CoroBore® 825 XL / 826 XL

Diameter range, mm (inch)	 	
825: 298-1275 (11.732-50.197)		
826: 298-1260 (11.732-49.606)		
Bridge	200	148
Bridge extension	100	74
Slide	60	44
Counterweight	60	44
Fine boring head	14	10
Locking screw	6	4.4
Cartridge screw	6	4.4



CoroBore® 825 and 825D

Diameter range, mm (inch)	 	
Cartridge screw		
19-36 (0.748-1.417)	1.2	0.9
35-56 (1.378-2.205)	3.1	2.3
55-167 (2.165-6.575)	5.8	4.3
Locking screw		
19-29 (0.748-1.142)	0.9	0.7
28-36 (1.102-1.417)	1.2	0.9
35-56 (1.378-2.205)	4.0	2.9
55-167 (2.165-6.575)	8.0	5.9



CoroBore® 824 XS

Diameter range, mm (inch)	 	
1-20 (0.039-0.787)		
Locking screw / Boring bar (Insert) screw		
Size		
XS04	1.2	0.9
XS06	1.2	0.9
XS08	3	2.2
XS10	3	2.2



CoroBore® 825 SL

Diameter range, mm (inch)	 	
47-150 (1.850-5.905)		
Face grooving head (S20)	14	10
Locking screw	8	6
Counterweight	8	6
Blade	9	6.6

CoroBore® 825 SL XL

Diameter range, mm (inch)	 	
150-1275 (5.905-50.197)		
Face grooving head (A34)	14	10
Locking screw	12	6
Blade	9	6.6
Other components, see CoroBore® 825XL		

Fine boring head, 391.37A / 391.37B / Boring bars

Diameter mm (inch)	 	
Screw for boring bar:		
12 (.472)	10	7
16 (.630)	10	7
20 (.787)	18	13
Locking screw:		
12 (.472)	8	6
16 (.630)	8	6
20 (.787)	12	9

Cutting data

- Cutting speed must be reduced when working with long overhangs. Silent Tools can be used to achieve higher cutting speeds at certain overhangs.

Rough boring

- Maximum recommended starting value for cutting speed is 200 m/min (656 ft/min) for rough boring to ensure proper chip evacuation and to secure a stable process.

CoroBore® 111		Feed rate (f_n), mm/r, inch/r			Cutting depth (a_p), mm, inch			Cutting speed v_c m/min (ft/min)		
Grade	Ordering code	Min	Max	Rec	Min	Max	Rec	Min	Max	Rec
4325	SPMT0606-BR	0.10 (.004)	0.25 (.010)	0.20 (.008)	0.6 (.024)	4.5 (.177)	2.0 (.079)	365 (1197)	460 (1509)	395 (1295)
	SPMT0808-BR	0.15 (.006)	0.35 (.014)	0.20 (.008)	0.8 (.031)	6.5 (.256)	2.5 (.098)	325 (1066)	425 (1394)	395 (1295)
	SPMT1212-BR	0.15 (.006)	0.40 (.016)	0.25 (.010)	1.2 (.047)	9.0 (.254)	3.0 (.118)	305 (1000)	425 (1394)	365 (1197)
	SPMT1812-BR	0.20 (.008)	0.40 (.016)	0.30 (.012)	1.2 (.047)	12.0 (.472)	3.8 (.150)	305 (1000)	395 (1295)	345 (1135)
2025	SPMT0606-BM	0.10 (.004)	0.15 (.006)	0.10 (.004)	0.6 (.024)	4.5 (.177)	1.8 (.071)	260 (853)	265 (869)	265 (869)
	SPMT0808-BM	0.10 (.004)	0.25 (.010)	0.20 (.008)	0.8 (.031)	6.5 (.256)	2.2 (.087)	225 (738)	265 (869)	240 (787)
	SPMT1210-BM	0.10 (.004)	0.30 (.012)	0.20 (.008)	1.0 (.039)	9.0 (.354)	2.5 (.098)	205 (672)	265 (869)	240 (787)
	SPMT1810-BM	0.20 (.008)	0.30 (.012)	0.25 (.010)	1.0 (.039)	12.0 (.472)	3.0 (.118)	205 (672)	240 (787)	225 (738)
3210	SPMT0606-BR	0.15 (.006)	0.30 (.012)	0.25 (.010)	0.6 (.024)	4.5 (.177)	2.0 (.079)	285 (935)	330 (1082)	300 (984)
	SPMT0808-BR	0.20 (.008)	0.50 (.020)	0.30 (.012)	0.8 (.031)	6.5 (.256)	2.5 (.098)	235 (770)	315 (1033)	285 (935)
	SPMT1212-BR	0.20 (.008)	0.50 (.020)	0.30 (.012)	1.2 (.047)	9.0 (.354)	3.0 (.118)	235 (770)	315 (1033)	285 (935)
	SPMT1812-BR	0.25 (.010)	0.50 (.020)	0.30 (.012)	1.2 (.047)	12.0 (.472)	3.8 (.150)	235 (770)	300 (984)	285 (935)
1145	SPMT0606-BM	0.10 (.004)	0.15 (.006)	0.10 (.004)	0.6 (.024)	4.5 (.177)	1.8 (.071)	15 (49)	20 (65)	20 (65)
	SPMT0808-BM	0.10 (.004)	0.15 (.006)	0.10 (.004)	0.8 (.031)	6.5 (.256)	2.2 (.087)	15 (49)	20 (65)	20 (65)
	SPMT1210-BM	0.10 (.004)	0.20 (.008)	0.15 (.006)	1.0 (.039)	9.0 (.354)	2.5 (.098)	10 (32)	20 (65)	15 (49)
	SPMT1810-BM	0.10 (.004)	0.20 (.008)	0.15 (.006)	1.0 (.039)	12.0 (.472)	3.0 (.118)	10 (32)	20 (65)	15 (49)

Fine boring

- Maximum recommended starting value for cutting speed is 240 m/min (787 ft/min) for fine boring, to ensure proper chip evacuation and to secure a stable process.
- The recommended starting value for cutting speed for fine boring head 391.37A with steel or carbide bars with inserts is 90-120 m/min (295-394 ft/min, use lower values for long steel bars). Recommended starting value for ground carbide bars is 60 m/min (197 ft/min).
- See below matrix for selection of geometry and grade depending on your fine boring application.
- Maximum recommended depth of cut for fine boring is 0.5 mm (0.020 inch). If the tool is adjusted to the minimum possible diameter, chip evacuation will be more critical and a reduction of cutting depth might be necessary.
- Maximum feed in fine boring is limited by desired surface finish. The possibility to influence chip form is therefore limited. By using a wiper insert, the surface finish can be retained at higher feeds. However, the wiper inserts exert more radial pressure, increasing the risk for an unstable process.

These start recommendations are general. For more detailed information, please visit CoroPlus ToolGuide on www.sandvik.coromant.com

Fine boring												
AP	Nose radius	Max feed for required surface		Material								
		Ra 1.6	Ra 0.8	P		M		K	N	S (nickel)		S (titanium)
0.1-0.15	02	0.08	0.05	PF 5015	L-K 1515	MF-1115	L-K 1515	PF 1515	AL H10	MF 1115	L-K 1115	AL H10
0.15-0.3	04	0.12	0.07	PF 5015	L-K 1515	MF 2015	L-K 1515	PF 4215	AL H10	MF 1115	L-K 1115	AL H10
0.3-0.5	08	0.15	0.10	PF 5015		MF 2015		PF 4215	AL H10	MF 1115	L-K 1115	AL H10

Face grooving

First choice is the CoroCut 2-system insert.

Use -TF geometry for low feed, -CM geometry for medium feed and -RM geometry for radial bottom face grooving.

The -TF and -CM geometries have positive geometries that eliminate the risk of built-up edge. The -TF geometry gives good chip control and generates high surface finish due to the Wiper design. The -GF enables larger widths to be selected.

Depending on chosen nose radius:

- Choose -CM for smaller nose radius (0.2)
- Choose -TF for larger nose radius (>0.3)
- Recommended start feed: 0.15 mm/rev (0.006 inch/rev)
- If grooves with tighter tolerance are required, choose -GF
- Recommended start feed: 0.10 mm/rev (0.004 inch/rev)

To improve chip control:

- increase feed rate
- increase cutting speed

General information

For the sake of the environment

Get into the Sandvik Coromant Recycling Concept (CRC) now!

The Sandvik Coromant Recycling Concept (CRC) is a comprehensive service for used carbide inserts and solid carbide tools offered by Sandvik Coromant to all its customers.

In the light of increasing consumption of non-renewable raw materials, the economic management of dwindling resources is a duty owed by all manufacturers.

Sandvik Coromant is playing its part by offering to collect used carbide inserts and solid carbide tools and recycle them in the most environmentally friendly way.

All used carbide inserts are collected in the collection box at the workplace.

When the collection box is sufficiently full, its contents are transferred to the transport box.

The full transport box is then sent to the nearest Sandvik Coromant office or to your Sandvik Coromant dealer who can also give you more information.

The benefits of the CRC speak for themselves

- A worldwide ISO and OHAS certified recycling system.
- Open to all Sandvik Coromant customers.
- Simple procedure with collection and transport boxes.
- Less waste, easing the burden on the environment.
- Better utilisation of resources.
- Other manufacturers' carbide inserts are also accepted.



Order collection boxes for each lathe, milling machine, drill or for your machining centre. We recommend one collection box for inserts and one separate box for solid carbide tools for each cutting workplace.

For detailed instructions on how to sell your used cemented carbide, please visit www.sandvik.coromant.com and select your market.

Collection box:	Order numbers
Transport box for solid carbide tools (plywood):	91617
Transport box inserts (plywood):	92994
	92995

Safety information in connection with grinding of cemented carbide

Material composition

Most metal products contain tungsten carbide and cobalt. Other substances that may be present in hard metal are titanium carbide, tantalum carbide, niobium carbide, chromium carbide, molybdenum carbide or vanadium carbide. Some grades contain titanium carbonitride and/or nickel.

Routes of exposure

Grinding or heating of hard metal blanks or hard metal products will produce products that give off dangerous dust and fumes. Avoiding ingestion and contact with skin or eyes is very important.

Acute toxicity

Intake of the aforementioned substances is toxic. Inhalation may cause irritation and inflammation of the airways. Significantly higher acute inhalation toxicity has been reported during simultaneous inhalation of cobalt and tungsten carbide compared to inhalation of cobalt alone.

Skin contact can cause irritation and rash. Sensitive individuals may even experience an allergic reaction.

Chronic toxicity

Repeated inhalation of aerosols containing cobalt may cause obstruction of the airways. Prolonged exposure to increased concentrations may cause lung fibrosis or lung cancer. Epidemiological studies indicate that workers previously exposed to high concentrations of tungsten carbide/cobalt carried an increased risk of developing lung cancer.

Cobalt and nickel are potent skin sensitizers. Repeated or prolonged contact can cause irritation and sensitization.

Risk phrases

Toxic: danger of serious damage to health by prolonged exposure through inhalation

Toxic when inhaled

Limited evidence of a carcinogenic effect.

May cause sensitization by inhalation and skin contact

Preventive measures

Avoid formation and inhalation of dust. Use adequate local exhaust ventilation to keep personal exposure well below nationally authorised limits.

If ventilation is not available or adequate, use respirators appropriately approved for the purpose.

Use safety goggles or glasses with side shields when necessary.

Avoid repeated skin contact. Wear suitable gloves. Wash skin thoroughly after handling.

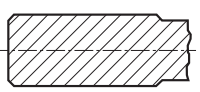
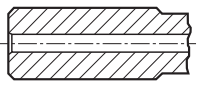
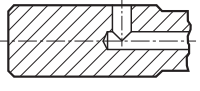
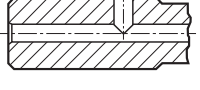
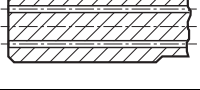
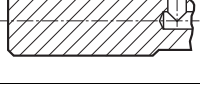
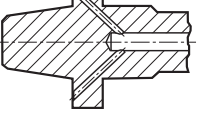
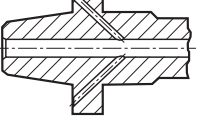
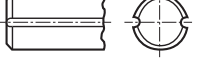
Use suitable protective clothing. Launder clothing if needed.

Do not eat, drink or smoke in the working area. Wash skin thoroughly before eating, drinking or smoking.



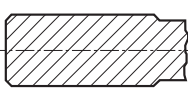
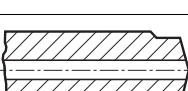
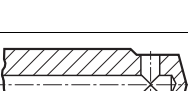

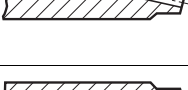

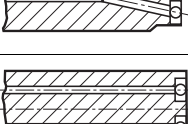
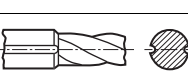
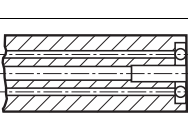
CNSC

Coolant entry style code

Code	Description	Image
0	Without coolant	
1	Axial concentric entry	
2	Radial entry	
3	Axial concentric and radial entry	
4	Axial concentric entry on circle	
5	Radial entry before adaptor	
6	Decentral over flange	
7	Decentral over flange and axial	
8	Decentral over slots on the shank	

CXSC

Coolant exit style code

Code	Description	Image
0	No coolant exit	
1	Axial concentric exit	
2	Radial exit	
3	Axial inclined exit	
4	Axial concentric on circle	
5	Axial inclined exit with nozzle, adjustable	
6	Decentral exit with nozzle, adjustable	
7	Decentral over slots on the shank	
8	Axial or decentral with nozzle, adjustable	

Conversion table

Metric to imperial

Distance

1 meter = 39.370 inch
 1 meter = 3.281 feet
 1 millimeter = 0.039 inch

Weight

1 kilogram = 2.205 pounds
 1 kilogram = 35.274 ounces

Torque

1 Newton meter (Nm) = 0.738 pound-force feet (ft-lbs)
 1 Newton meter (Nm) = 8.851 pound-force inches (in-lbs)

Imperial to metric

Distance

1 inch = 25.4 millimeter
 1 foot = 0.3 meter
 1 foot = 304.8 millimeter

Weight

1 pound = 0.45 kilogram
 1 ounce = 28,35 gram

Torque

1 pound-force foot (ft-lbf) = 1.4 Newton meter (Nm)
 1 pound-force inch (in-lbf) = 0.1 Newton meter (Nm)

Formulas and definitions:

v_c = cutting speed

n = spindle speed

v_f = table feed

z_n = total number of cutting edges

z_c = number of effective cutting edges

f_z = feed per tooth

f_n = feed per revolution

h_{ex} = maximum thickness

a_p = cutting depth

l_a = insert width

a_e = cutting width

a_e/D_c % = Radial immersion

T = machining time

Q = metal removal rate

nap = number of passes

TPI = threads per inch

k_c = specific cutting force

R_a = surface roughness

Metric

m/min (meter/minute)

rpm (revolution per minute)

mm/min

mm/z

mm/rev

mm

mm

mm

mm

%

min

cm³/min

N/mm²

μm

Imperial

ft/min (feet/minute)

inch/min

inch/z

inch/rev

inch

inch

inch

inch

%

min

inch³/min

lbs/in²

μin

Insert size

iC = inscribed circle in inch

 = cutting edge length in mm

Material cross reference list

ISO	MC	CMC	Country										
			Europe	Germany	Great Britain	Sweden	USA	France	Italy	Spain	Japan		
			Standard										
			DIN EN	W.-nr.	BS	EN	SS	AISI/SAE/ASTM	AFNOR	UNI	UNE	JIS	
P	Unalloyed steel												
	P1.1.Z.AN	01.1	S235JR G2	1.0038	4360 40 C	-	1311	A570.36	E 24-2 Ne	-	-	STKM 12A;C	
	P1.1.Z.AN	01.1	S235J2 G3	1.0116	4360 40 B	-	1312	A573-81 65	E 24-U	Fe37-3	-	-	
	P1.1.Z.AN	01.1	C15	1.0401	080M15	-	1350	1015	CC12	C15C16	F.111	-	
	P1.1.Z.AN	01.1	C22	1.0402	050A20	2C/2D	1450	1020	CC20	C20C21	F.112	-	
	P1.1.Z.AN	01.1	C15E	1.1141	080M15	32C	1370	1015	XC12	C16	C15K	S15C	
	P1.1.Z.AN	01.1	C25E	1.1158	-	-	-	1025	-	-	-	S25C	
	P1.1.Z.AN	01.1	S380N	1.8900	4360 55 E	-	2145	A572-60	-	FeE390KG	-	-	
	P1.1.Z.AN	01.1	17MnV7	1.0870	4360 55 E	-	2142	A572-60	NFA 35-501	-	-	-	
	P1.1.Z.AN	02.1	55Si7	1.0904	250A53	45	2085	9255	55S7	55Si8	56Si7	-	
	P1.1.Z.AN	02.2	-	-	-	-	2090	9255	55S7	-	-	-	
	P1.2.Z.AN	01.2	C35	1.0501	060A35	-	1550	1035	CC35	C35	F.113	-	
	P1.2.Z.AN	01.2	C45	1.0503	080M46	-	1650	1045	CC45	C45	F.114	-	
	P1.2.Z.AN	01.2	40Mn4	1.1157	150M36	15	-	1039	35M5	-	-	-	
	P1.2.Z.AN	01.2	36Mn5	1.1167	-	-	2120	1335	40M5	-	36Mn5	SMn438(H)	
	P1.2.Z.AN	01.2	28Mn6	1.1170	150M28	14A	-	1330	20M5	C28Mn	-	SCMn1	
	P1.2.Z.AN	01.2	C35G	1.1183	060A35	-	1572	1035	XC38TS	C36	-	S35C	
	P1.2.Z.AN	01.2	C45E	1.1191	080M46	-	1672	1045	XC42	C45	C45K	S45C	
	P1.2.Z.AN	01.2	C53G	1.1213	060A52	-	1674	1050	XC48TS	C53	-	S50C	
	P1.2.Z.AN	01.3	C55	1.0535	070M55	-	1655	1055	-	C55	-	-	
	P1.2.Z.AN	01.3	C55E	1.1203	070M55	-	-	1055	XC55	C50	C55K	S55C	
	P1.2.Z.AN	02.1	S275J2G3	1.0144	4360 43C	-	1412	A573-81	E 28-3	-	-	SM 400A;B;C	
	P1.2.Z.AN	02.1	S355J2G3+C2	1.0570	4360 50B	-	2132	-	E36-3	Fe52BFN/Fe52CFN	-	SM490A;B;C;YA;YB	
	P1.2.Z.AN	02.1	S355J2G3	1.0841	150 M 19	-	2172	5120	20 MC 5	Fe52	F-431	-	
	P1.3.Z.AN	01.3	C60E	1.0601	080A62	43D	-	1060	CC55	C60	-	-	
	P1.3.Z.AN	01.3	C60E	1.1221	080A62	43D	1678	1060	XC60	C60	-	S58C	
	P1.3.Z.AN	01.4	C101E	1.1274	060 A 96	-	1870	1095	XC 100	-	F-5117	-	
	P1.3.Z.AN	01.4	C101u	1.1545	BW 1A	-	1880	W 1	Y105	C36KU	F-5118	SK 3	
	P1.3.Z.AN	01.4	C105W1	-	BW2	-	2900	W210	Y120	C120KU	F.515	SUP4	
	P1.3.Z.AN	02.1	S340 MGC	1.0961	-	-	-	9262	60SC7	60SiCr8	60SiCr8	-	
	P1.4.Z.AN	01.1	11SMn30	1.0715	230M07	-	1912	1213	S250	CF9SMn28	11SMn28	SUM22	
	P1.4.Z.AN	01.1	11SMnPb30	1.0718	-	-	1914	12L13	S250Pb	CF9SMnPb28	11SMnPb28	SUM22L	
	P1.4.Z.AN	01.1	10SPb20	1.0722	-	-	-	-	10PbF2	CF10SPb20	10SPb20	-	
	P1.4.Z.AN	01.1	11SMn37	1.0736	240M07	1B	-	1215	S 300	CF9SMn36	12SMn35	-	
	P1.4.Z.AN	01.1	11SMnPb37	1.0737	-	-	1926	12L14	S300Pb	CF9SMnPb36	12SMnP35	-	
	P1.4.Z.AN	01.2	35S20	1.0726	212M36	8M	1957	1140	35MF4	-	F210G	-	
	P1.5.C.UT	01.1	GC16E	1.1142	030A04	1A	1325	1115	-	-	-	-	
	Steel	Low-alloy steel											
		P2.1.Z.AN	02.1	16Mo3	1.5415	1501-240	-	2912	A204Gr.A	15D3	16Mo3KW	16Mo3	-
		P2.1.Z.AN	02.1	14Ni6	1.5622	-	-	-	A350LF5	16N6	14Ni6	15Ni6	-
		P2.1.Z.AN	02.1	21NiCrMo2	1.6523	805M20	362	2506	8620	20NCD2	20NiCrMo2	20NiCrMo2	SNCM220(H)
		P2.1.Z.AN	02.1	17CrNiMo6	1.6587	820A16	-	-	-	18NCD6	-	14NiCrMo13	-
		P2.1.Z.AN	02.1	15Cr3	1.7015	523M15	-	-	5015	12C3	-	-	SCR415(H)
		P2.1.Z.AN	02.1	55Cr3	1.7176	527A60	48	-	5155	55C3	-	-	SUP9(A)
		P2.1.Z.AN	02.1	15CrMo5	1.7262	-	-	2216	-	12CD4	-	12CrMo4	SCM415(H)
		P2.1.Z.AN	02.1	13CrMo4-5	1.7335	1501-620Gr27	-	-	A182 F11;F12	15CD3.5	14CrMo4 5	14CrMo45	-
		P2.1.Z.AN	02.1	10CrMo9 10	1.7380	1501-622 Gr.31;45	-	2218	A182 F.22	12CD9, 10	12CrMo9, 10	TU.H	-
		P2.1.Z.AN	02.1	14MoV6 3	1.7715	1503-660-440	-	-	-	-	-	13MoCrV6	-
		P2.1.Z.AN	02.1	50CoMo4	1.7228	823M30	33	2512	-	-	653M31	-	-
		P2.1.Z.AN	02.2	14NiCr10	1.5732	-	-	-	3415	14NC11	16NiCr11	15NiCr11	SNC415(H)
		P2.1.Z.AN	02.2	14NiCr14	1.5752	655M13; A12	36A	-	3415;3310	12NC15	-	-	SNC815(H)
		P2.1.Z.AN	02.1/02.2	16MnCr5	1.7131	(527M20)	-	2511	5115	16MC5	16MnCr5	16MnCr5	-
P2.1.Z.AN		02.1/02.2	34CrMo4	1.7220	708A37	19B	2234	4137;4135	35CD4	35CrMo4	34CrMo4	SCM432;SCCRM3	
P2.1.Z.AN		02.1/02.2	41CrMo4	1.7223	708M40	19A	2244	4140;4142	42CD4TS	41CrMo4	42CrMo4	SCM 440	
P2.1.Z.AN		02.1/02.2	42CrMo4	1.7225	708M40	19A	2244	4140	42CD4	42CrMo4	42CrMo4	SCM440(H)	
P2.1.Z.AN		03.11	14NiCrMo134	1.6657	832M13	36C	-	-	-	15NiCrMo13	14NiCrMo131	-	
P2.2.Z.AN		02.1	31CrMo12	1.8515	722 M 24	-	2240	-	30 CD 12	30CrMo12	F-1712	-	
P2.2.Z.AN		02.1	39CrMoV13 9	1.8523	897M39	40C	-	-	-	36CrMoV12	-	-	
P2.2.Z.AN		02.1	41CrS4	1.7039	524A14	-	2092	L1	-	105WCR 5	-	-	
P2.2.Z.AN		02.1	50NiCr13	1.2721	-	-	2550	L6	55NCV6	-	F-528	-	
P2.2.Z.AN		03.11	45WCrV7	1.2542	BS1	-	2710	S1	-	45WCrV8KU	45WCrSi8	-	
P2.2.Z.AN/P2.5.Z.HT		02.1/02.2	36CrNiMo4	1.6511	816M40	110	-	9840	40NCD3	38NiCrMo4(KB)	35NiCrMo4	-	
P2.2.Z.AN/P2.5.Z.HT		02.1/02.2	34CrNiMo6	1.6582	817M40	24	2541	4340	35NCD6	35NiCrMo6(KB)	-	-	
P2.2.Z.AN/P2.5.Z.HT		02.1/02.2	34Cr4	1.7033	530A32	18B	-	5132	32C4	34Cr4(KB)	35Cr4	SCR430(H)	
P2.2.Z.AN/P2.5.Z.HT		02.1/02.2	41Cr4	1.7035	530A40	18	-	5140	42C4	41Cr4	42Cr4	SCR440(H)	
P2.2.Z.AN/P2.5.Z.HT		02.1/02.2	32CrMo12	1.7361	722M24	40B	2240	-	30CD12	32CrMo12	F.124.A	-	
P2.2.Z.AN/P2.5.Z.HT		02.1/02.2	51CrV4	1.8159	735A50	47	2230	6150	50CV4	50CrV4	51CrV4	SUP10	
P2.2.Z.AN/P2.5.Z.HT		02.1/02.2	41CrAlMo7	1.8509	905M39	41B	2940	-	40CAD6, 12	41CrAlMo7	41CrAlMo7	-	
P2.3.Z.AN		02.1	100Cr6	1.3505	534A99	31	2258	52100	100C6	100Cr6	F.131	SUJ2	

Material cross reference list

ISO	MC	CMC	Country										
			Europe	Germany	Great Britain	Sweden	USA	France	Italy	Spain	Japan		
			Standard										
			DIN EN	W.-nr.	BS	EN	SS	AISI/SAE/ASTM	AFNOR	UNI	UNE	JIS	
P	P2.3.Z.AN/H1.2.Z.HA	02.1/02.2	105WCr6	1.2419	-	-	2140	-	105WC13	10WCr6	105WCr5	SKS31	
	P2.3.Z.AN/H1.2.Z.HA	-	-	-	-	-	-	-	-	107WCr5KU	-	SKS2, SKS3	
	P2.3.Z.AN/H1.2.Z.HA	02.1/02.2	-	1.2714	-	-	-	L6	55NCDV7	-	F.520.S	SKT4	
	P2.3.Z.AN/H1.3.Z.HA	02.1/02.2	100Cr6	1.2067	BL3	-	-	L3	Y100C6	-	100Cr6	-	
	P2.4.Z.AN	02.1	16MnCr5	1.7139	-	-	2127	-	-	-	-	-	
	P2.5.Z.HT	02.1	16Mo5	1.5423	1503-245-420	-	-	4520	-	16Mo5	16Mo5	-	
	P2.5.Z.HT	02.1	40NiCrMo8-4	1.6562	311-Type 7	-	-	8740	-	40NiCrMo2(KB)	40NiCrMo2	SNCM240	
	P2.5.Z.HT	02.1	42Cr4	1.7045	-	-	2245	5140	-	-	42Cr4	SCr440	
	P2.5.Z.HT	02.1	31NiCrMo14	1.5755	830 M 31	-	2534	-	-	-	F-1270	-	
	P2.5.Z.HT	02.2	36NiCr6	1.5710	640A35	111A	-	3135	35NC6	-	-	SNC236	
	P2.6.C.UT	02.1	22Mo4	1.5419	605A32	-	2108	8620	-	-	F520.S	-	
	P2.6.C.UT	02.1/02.2	25CrMo4	1.7218	1717CDS110	-	2225	4130	25CD4	25CrMo4(KB)	AM26CrMo4	SCM420,SCM430	
	P2.6.C.UT	06.2	-	-	-	-	2223	-	-	-	-	-	
	High-alloy steel												
	P3.0.Z.AN	03.11	X210Cr12	1.2080	BD3	-	-	D3	Z200C12	X210Cr13KU	X210Cr12	SKD1	
	P3.0.Z.AN	03.11	X43Cr13	1.2083	-	-	2314	-	-	-	X250Cr12KU	-	
	P3.0.Z.AN	03.11	X40CrMoV5 1	1.2344	BH13	-	2242	H13	Z40CDV5	X35CrMoV05KU	X40CrMoV5	SKD61	
	P3.0.Z.AN	03.11	X100CrMoV5 1	1.2363	BA2	-	2260	A2	Z100CDV5	X40CrMoV511KU	X100CrMoV5	SKD12	
	P3.0.Z.AN	03.11	X210CrW12	1.2436	-	-	2312	-	-	X100CrMoV51KU	X210CrW12	SKD2	
P3.0.Z.AN	03.11	X30WCv9 3	1.2581	BH21	-	-	H21	Z30WCV9	X28W09KU	X30WCv9	SKD5		
P3.0.Z.AN	03.11	X165CrMoV 12	1.2601	-	-	2310	-	-	X30WCv9 3KU	X160CrMoV12	-		
P3.0.Z.AN	03.21	X155CrMoV12-1	1.2379	-	-	2736	HNV3	-	X165CrMoV12KU	-	-		
P3.0.Z.HT	03.11	X8Ni9	1.5662	1501-509;510	-	-	ASTM A353	-	X10Ni9	XBNi09	-		
P3.0.Z.HT	03.11	12Ni19	1.5680	-	-	-	2515	Z18N5	-	-	-		
P3.1.Z.AN	03.11	S6-5-2	1.3343	4959BA2	-	2715	D3	Z40CSD10	15NiCrMo13	-	SUH3		
P3.1.Z.AN	03.13	-	-	BM 2	-	2722	M 2	Z85WDCV	HS 6-5-2-2	F-5603.	SKH 51		
P3.1.Z.AN	03.13	HS 6-5-2-5	1.3243	BM 35	-	2723	M 35	6-5-2-5	HS 6-5-2-5	F-5613	SKH 55		
P3.1.Z.AN	03.13	HS 2-9-2	1.3348	HS 2-9-2	-	2782	M 7	-	HS 2-9-2	F-5607	-		
P3.2.C.AQ	06.33	G-X120Mn12	1.3401	Z120M12	-	2183	L3	Z120M12	XG120Mn12	X120Mn12	SCMnH/1		
Ferritic/martensitic stainless steel													
Steel	P5.0.Z.AN	05.11/	X10CrAL13	1.4724	403S17	-	-	405	Z10C13	X10CrAl12	F.311	SUS405	
	P5.0.Z.AN	05.11/	X10CrAL18	1.4742	430S15	60	-	430	Z10CAS18	X8Cr17	F.3113	SUS430	
	P5.0.Z.AN	05.11/	X10CrAL2-4	1.4762	-	-	2322	446	Z10CAS24	X16Cr26	-	SUH446	
	P5.0.Z.AN	05.11/	X1CrMoTi18-2	1.4521	-	-	2326	S44400	-	-	-	-	
	P5.0.Z.AN/P5.0.Z.HT	05.11/	X6Cr13	1.4000	403S17	-	2301	403	Z6C13	X6Cr13	F.3110	SUS403	
	P5.0.Z.AN/P5.0.Z.HT	-	X7Cr14	1.4001	-	-	-	-	-	-	F.8401	-	
	P5.0.Z.AN/P5.0.Z.HT	05.11/	X10Cr13	1.4006	410S21	56A	2302	410	Z10C14	X12Cr13	F.3401	SUS410	
	P5.0.Z.AN/P5.0.Z.HT	05.11/	X6Cr17	1.4016	430S15	960	2320	430	Z8C17	X8Cr17	F3113	SUS430	
	P5.0.Z.AN/P5.0.Z.HT	05.11/	X6CrAL13	1.4002	405S17	-	-	405	Z8CA12	X6CrAl13	-	-	
	P5.0.Z.AN/P5.0.Z.HT	05.11/	X20Cr13	1.4021	420S37	-	2303	420	Z20C13	X20Cr13	-	-	
	P5.0.Z.AN/P5.0.Z.HT	05.11/	X6CrMo17-1	1.4113	434S17	-	2325	434	Z8CD17.01	X8CrMo17	-	SUS434	
	P5.0.Z.HT	03.11	X45CrS9-3-1	1.4718	401S45	52	-	HW3	Z45CS9	X45GrSi8	F322	SUH1	
	P5.0.Z.HT	05.11/	X85CrMoV18-2	1.4748	443S65	59	-	HNV6	Z80CSN20.0	X80CrSiNi20	F.320B	SUH4	
	P5.0.Z.HT	05.11/	X20CrMoV12-1	1.4922	-	-	2317	-	-	X20CrMoNi 12.01	-	-	
	P5.0.Z.PH	05.11/	X12CrS13	1.4005	416 S 21	-	2380	416	Z11CF13	X12 CrS 13	F-3411	SUS 416	
	P5.0.Z.PH	05.11/	X46Cr13	1.4034	420S45	56D	2304	-	Z40CM	X40Cr14	F.3405	SUS420J2	
	P5.0.Z.PH	05.11/	X19CrNi17-2	1.4057	431S29	57	2321	431	Z15CNI6.02	X16CrNi16	F.3427	SUS431	
	P5.0.Z.PH	05.12/	X5CrNiCuNb16-4	1.4542 1.4548	-	-	-	630	Z7CNU17-04	-	-	-	
	P5.0.Z.PH	15.21	X4 CrNiMo16-5	1.4418	-	-	2387	-	Z6CND16-	-	-	-	
	P5.1.Z.AN/P5.0.Z.HT	05.11/	X14CrMoS17	1.4104	-	-	2383	430F	Z10CF17	X10CrS17	F.3117	SUS430F	
P2.1.Z.AN	02.1												
P2.2.Z.AN	02.1			1.0045									
P2.2.Z.AN	02.1												
P2.5.Z.HT	02.2												
P1.2.Z.AN													
P1.2.Z.AN													
P1.2.Z.AN													
P2.5.Z.HT													
P2.5.Z.HT	02.2												
P2.5.Z.HT	02.2												
P2.5.Z.HT													
P2.5.Z.HT													

Material cross reference list

ISO	MC	CMC	Country									
			Europe	Germany	Great Britain	Sweden	USA	France	Italy	Spain	Japan	
			Standard									
DIN EN	W.-nr.	BS	EN	SS	AISI/SAE/ASTM	AFNOR	UNI	UNE	JIS			
M	Austenitic stainless steel											
	M1.0.Z.AQ	05.11/15.11	X3CrNiMo13-4	1.4313	425C11	-	2385	CA6-NM	Z4CND13.4M	(G)X6CrNi304	-	SCS5
	M1.0.Z.AQ/M1.0.C.UT	05.11/15.11	X53CrMnNiN21-9	1.4871	349S54	-	-	EV8	Z52CMN21.09	X53CrMnNiN21 9	-	SUH35, SUH36
	M1.0.Z.AQ/M1.0.C.UT	05.21/15.21	X2CrNiN18-10	1.4311	304S62	-	2371	304LN	Z2CN18.10	-	-	SUS304LN
	M1.0.Z.AQ/M1.0.C.UT	05.21/15.21	X2CrNiMoN17-13-3	1.4429	-	-	2375	316LN	Z2CND17.13	-	-	SUS316LN
	M1.0.Z.AQ/M1.0.C.UT	05.21/15.21	X2CrNiMo17-12-2	1.4404	316S13	-	2348	316L	Z2CND17-12	X2CrNiMo1712	-	-
	M1.0.Z.AQ/M1.0.C.UT	05.21/15.21	X2CrNiMo18-14-3	1.4435	316S13	-	2353	316L	Z2CND17.12	X2CrNiMo17 12	-	SCS16, SUS316L
	M1.0.Z.AQ/M1.0.C.UT	05.21/15.21	X3CrNiMo17-3-3	1.4436	316S33	-	2343,	316	Z6CND18-12-03	X8CrNiMo1713	-	-
	M1.0.Z.AQ/M1.0.C.UT	05.21/15.21	X2CrNiMo18-15-4	1.4438	317S12	-	2367	317L	Z2CND19.15	X2CrNiMo18 16	-	SUS317L
	M1.0.Z.AQ/M1.0.C.UT	05.21/15.21	X6CrNiN18-10	1.4550	347S17	58F	2338	347	Z6CNNb18.10	X6CrNiN18 11	F.3552 F.3524	SUS347
	M1.0.Z.AQ/M1.0.C.UT	05.21/15.21	X6CrNiMoTi17-12-2	1.4571	320S17	58J	2350	316Ti	Z6NDT17.12	X6CrNiMoTi17 12	F.3535	-
	M1.0.Z.AQ/M1.0.C.UT	05.21/15.21	X10CrNiMoNb 18-12	1.4583	-	-	-	318	Z6CNDNb17 13B	X6CrNiMoNb17 13	-	-
	M1.0.Z.AQ/M1.0.C.UT	05.21/15.21	X15CrNiSi20-12	1.4828	309S24	-	-	309	Z15CNS20.12	-	-	SUH309
	M1.0.Z.AQ/M1.0.C.UT	05.21/15.21	X2CrNiMoN17-11-2	1.4406	301S21	58C	2370	308	Z1NCDU25.20	-	F.8414	SCS17
	M1.0.Z.AQ	05.21/15.21	X1CrNiMoCuN20-18-7	1.4547	-	-	2378	S31254	Z1CNDU20-18-06AZ	-	-	-
	M1.0.Z.AQ/M1.0.C.UT	05.21/15.21	X9CrNi18-8	1.4310	-	-	2331	301	Z12CN17.07	X12CrNi17 07	F.3517	SUS301
	M1.0.Z.PH	05.22/15.22	X7CrNiAl17-7	1.4568	1.4504	316S111	-	-	17-7PH	Z8CNA17-07	-	-
	M1.0.Z.AQ/M1.0.C.UT	05.21/15.21	X2CrNi19-11	1.4306	304S11	-	2352	304L	Z2CN18-10	X2CrNi18 11	-	-
	M1.1.Z.AQ	05.21/15.21	-	-	304S12	-	-	-	-	-	-	-
	M1.1.Z.AQ	05.21/15.21	X5CrNi18-10	1.4301	304S31	58E	2332,	304	Z6CN18.09	X5CrNi18 10	F.3504 F.3541	SUS304
	M1.1.Z.AQ	05.21/15.21	X5CrNi18-10	1.4301	304S15	58E	2332	304	Z6CN18.09	X5CrNi18 10	F.3551	SUS304
	M1.1.Z.AQ	05.21/15.21	X5CrNiMo17-2-2	1.4401	316S16	58J	2347	316	Z6CND17.11	X5CrNiMo17 12	F.3543	SUS316
	M1.1.Z.AQ	05.21/15.21	X6CrNiTi18-10	1.4541	321S12	58B	2337	321	Z6CNT18.10	X6CrNiTi18 11	F.3553 F.3523	SUS321
	M1.2.Z.AQ	05.21/15.21	X8CrNiSi18-9	1.4305	303S21	58M	2346	303	Z10CNF 18.09	X10CrNiSi 18.09	F.3508	SUS303
	Super austenitic (Ni>20%) stainless steel											
	M2.0.C.AQ	20.11	G-X40NiCrSi36-18	1.4865	330C11	-	-	-	-	XG50NiCr39 19	-	SCH15
	M2.0.Z.AQ	05.21/15.21	X1NiCrMoCu25-20-5	1.4539	-	-	2562	UNS V 0890A	Z2 NCDU25-20	-	-	-
	M2.0.Z.AQ	05.21/15.21	X8CrNi25-21	1.4845	310S24	-	2361	310S	Z12CN25 20	X6CrNi25 20	F.331	SUH310
	M2.0.Z.AQ	20.11	X12NiCrSi36 16	1.4864	-	-	-	330	Z12NCS35.16	F-3313	-	SUH330
	M2.0.Z.AQ	05.23/15.23	X1NiCrMoCu31-27-4	1.4563	-	-	2584	NO8028	Z1NCDU31-27-03	-	-	-
	Duplex (austenitic/ferritic) stainless steel											
	M3.1.Z.AQ/M3.1.C.AQ	05.51/15.51	X2CrNiN23-4	1.4362	-	-	2376	S31500	-	-	-	-
	M3.1.Z.AQ/M3.1.C.AQ	05.51/15.51	X8CrNiMo27-5	-	-	-	2324	S32900	-	-	-	-
	M3.2.Z.AQ/M3.2.C.AQ	05.52/15.52	X2CrNiN23-4	-	-	-	2327	S32304	Z2CN23-04AZ	-	-	-
	M3.2.Z.AQ/M3.2.C.AQ	05.52/15.52	-	-	-	-	2328	-	-	-	-	-
	M3.2.Z.AQ/M3.2.C.AQ	05.52/15.52	X2CrNiMoN22-53	-	-	-	2377	S31803	Z2CND22-05-03	-	-	-
	M1.1.Z.AQ	05.21/15.21						Trade names				
	M1.1.Z.AQ	05.21/15.21		1.0045				SANMAC 304 (Sandvik Steel)				
	M1.1.Z.AQ	05.21/15.21						SANMAC 304L (Sandvik Steel)				
	M1.1.Z.AQ	05.21/15.21						SANMAC 316 (Sandvik Steel)				
	M1.1.Z.AQ	05.21/15.21						SANMAC 316L (Sandvik Steel)				
	M1.0.Z.AQ	05.23/15.23						254 SMO				
	M2.0.Z.AQ	05.23/15.23						654 SMO				
	M3.2.Z.AQ	05.52/15.52						SANMAC SAF 2205 (Sandvik Steel)				
	M3.2.Z.AQ	05.52/15.52						SANMAC SAF 2507 (Sandvik Steel)				

Material cross reference list

ISO	MC	CMC	Country									
			Europe	Germany	Great Britain	Sweden	USA	France	Italy	Spain	Japan	
			Standard									
			DIN EN	W.-nr.	BS	EN	SS	AISI/SAE/ASTM	AFNOR	UNI	UNE	JIS
K	Malleable cast iron											
	K1.1.C.NS	07.1	-	-	8 290/6	-	0814	-	MN 32-8	-	-	FCMB310
	K1.1.C.NS	07.1	EN-GJMB350-10	0.8135	B 340/12	-	0815	32510	MN 35-10	-	-	FCMW330
	K1.1.C.NS	07.2	EN-GJMB450-6	0.8145	P 440/7	-	0852	40010	Mn 450	GMN 45	-	FCMW370
	K1.1.C.NS	07.2	EN-GJMB550-4	0.8155	P 510/4	-	0854	50005	MP 50-5	GMN 55	-	FCMP490
						P 570/3		0858	70003	MP 60-3		FCMP540
	K1.1.C.NS	07.2	EN-GJMB650-2	0.8165	P570/3	-	0856	A220-70003	Mn 650-3	GMN 65	-	FCMP590
	K1.1.C.NS	07.3	EN-GJMB700-2	0.8170	P690/2	-	0862	A220-80002	Mn700-2	GMN 70	-	FCMP690
	Grey cast iron											
	K2.1.C.UT	08.1	-	-	-	-	0100	-	-	-	-	-
	K2.1.C.UT	08.1	EN-GJL-100	0.6010	-	-	0110	No 20 B	Ft 10 D	-	-	FC100
	K2.1.C.UT	08.1	EN-GJL-150	0.6015	Grade 150	-	0115	No 25 B	Ft 15 D	G 15	FG 15	FC150
	K2.1.C.UT	08.1	EN-GJL-200	0.6020	Grade 220	-	0120	No 30 B	Ft 20 D	G 20	-	FC200
	K2.1.C.UT	08.2	EN-GJL-250	0.6025	Grade 260	-	0125	No 35 B	Ft 25 D	G 25	FG 25	FC250
	K2.1.C.UT	08.2	EN-JLZ	0.6040	Grade 400	-	0140	No 55 B	Ft 40 D	-	-	-
	K2.2.C.UT	08.2	EN-GJL-300	0.6030	Grade 300	-	0130	No 45 B	Ft 30 D	G 30	FG 30	FC300
	K2.2.C.UT	08.2	EN-GJL-350	0.6035	Grade 350	-	0135	No 50 B	Ft 35 D	G 35	FG 35	FC350
	K2.3.C.UT	08.3	GGL-NiCr20-2	0.6660	L-NiCuCr202	-	0523	A436 Type 2	L-NC 202	-	-	-
	Nodular cast iron											
	K3.1.C.UT	09.1	EN-GJS-400-15	0.7040	SNG 420/12	-	0717-02	60-40-18	FCS 400-12	GS 370-17	FGE 38-17	FCD400
	K3.1.C.UT	09.1	EN-GJS-400-18-LT	0.7043	SNG 370/17	-	0717-12	-	FGS 370-17	-	-	-
	K3.1.C.UT	09.1	EN-GJS-350-22-LT	0.7033	-	-	0717-15	-	-	-	-	-
	K3.1.C.UT	09.1	EN-GJS-800-7	0.7050	SNG 500/7	-	0727	80-55-06	FGS 500-7	GS 500	FGE 50-7	FCD500
	K3.2.C.UT	09.2	EN-GJS-600-3	0.7060	SNG 600/3	-	0732-03	-	FGS 600-3	-	-	FCD600
	K3.3.C.UT	09.2	EN-GJS-700-2	0.7070	SNG 700/2	-	0737-01	100-70-03	FGS 700-2	GS 700-2	FGS 70-2	FCD700
	K3.5.C.UT	-	EN-GJSA-XNiCr20-2	0.7660	Grade S6	-	0776	A43D2	S-NC 202	-	-	-
	Compacted graphite iron											
K4.1.C.UT	-	EN-GJV-300										
K4.1.C.UT	-	EN-GJV-350										
K4.2.C.UT	-	EN-GJV-400										
K4.2.C.UT	-	EN-GJV-450										
K4.2.C.UT	-	EN-GJV-500										
Austempered ductile iron												
K5.1.C.NS	-	EN-GJS-800-8	-	-	-	-	ASTM A897 No. 1	-	-	-	-	
K5.1.C.NS	-	EN-GJS-1000-5	-	-	-	-	ASTM A897 No. 2	-	-	-	-	
K5.2.C.NS	-	EN-GJS-1200-2	-	-	-	-	ASTM A897 No. 3	-	-	-	-	
K5.2.C.NS	-	EN-GJS-1400-1	-	-	-	-	ASTM A897 No. 4	-	-	-	-	
K5.3.C.NS	-	-	-	-	-	-	ASTM A897 No. 5	-	-	-	-	

Material cross reference list

ISO	MC	CMC	Country									
			Europe	Germany	Great Britain	Sweden	USA	France	Italy	Spain	Japan	
			Standard									
			DIN EN	W.-nr.	BS	EN	SS	AISI/SAE/ASTM	AFNOR	UNI	UNE	JIS
N Non-ferrous metals	Aluminium based alloys											
	N1.3.C.AG	30.21	G-AISI9MGWA	3.2373	-	-	4251	SC64D	A-S7G	-	-	C4BS
	N1.3.C.UT	30.21	G-ALMG5	-	LM5	-	4252	GD-AISI12	A-SU12	-	-	AC4A
	N1.3.C.UT/N1.3.C.AG	30.21/30.22	-	-	LM25	-	4244	356.1	-	-	-	A5052
	N1.3.C.UT	-	GD-AISI12	-	-	-	4247	A413.0	-	-	-	A6061
	N1.3.C.AG	-	GD-AISI8Cu3	-	LM24	-	4250	A380.1	-	-	-	A7075
	N1.3.C.UT	-	G-AISI12(Cu)	-	LM20	-	4260	A413.1	-	-	-	ADC12
	N1.3.C.UT	-	G-AISI12	-	LM6	-	4261	A413.2	-	-	-	-
	N1.3.C.AG	-	G-AISI10Mg(Cu)	-	LM9	-	4253	A360.2	-	-	-	-
	S Heat resistant super alloys	Nickel based alloys										
S2.0.Z.AG		20.22	S-NiCr13A16MoNb	LW2 4670	mar-46	-	-	5391	NC12AD	-	-	-
S2.0.C.UT		20.24	NiCo15Cr10MoAlTi	LW2 4674	-	-	-	AMS 5397	-	-	-	-
S2.0.Z.AG		20.22	NiFe35Cr14MoTi	LW2.4662	-	-	-	5660	ZSNCDT42	-	-	-
S2.0.Z.AG		20.22	NiCr19Fe19NbMo	LW2.4668	HR8	-	-	5383	NC19eNB	-	-	-
S2.0.Z.AG		20.22	NiCr20TiAk	2.4631	Hr401.601	-	-	-	NC20TA	-	-	-
S2.0.Z.AG		20.22	NiCr19Co11MoTi	2.4973	-	-	-	AMS 5399	NC19KDT	-	-	-
S2.0.Z.AG		20.22	NiCr19Fe19NbMo	LW2.4668	-	-	-	AMS 5544	NC20K14	-	-	-
S2.0.Z.AN		20.21	-	2.4603	-	-	-	5390A	NC22FeD	-	-	-
S2.0.Z.AN		20.21	NiCr22Mo9Nb	2.4856	-	-	-	5666	NC22FeDNB	-	-	-
S2.0.Z.AN		20.21	NiCr20Ti	2.4630	HR5.203-4	-	-	-	NC20T	-	-	-
S2.0.Z.AG		20.22	NiCu30AL3Ti	2.4375	3072-76	-	-	4676	-	-	-	-
Cobalt alloys												
-		-	CoCr20W15Ni	-	-	-	-	5537C, AMS	KC20WN	-	-	-
S3.0.Z.AG		20.32	CoCr22W14Ni	LW2.4964	-	-	-	5772	KC22WN	-	-	-
Titanium alloys												
S4.2.Z.AN		23.22	TiAl5Sn2.5	3.7115.1	TA14/17	-	-	UNS R54520	T-A5E	-	-	-
S4.2.Z.AN		23.22	TiAl6V4	3.7165.1	TA10-13/TA28	-	-	UNS R56401	UNS R56400	-	-	-
S4.3.Z.AN		23.22	TiAl5V5Mo5Cr3	-	-	-	-	-	T-A6V	-	-	-
S4.2.Z.AN		23.22	TiAl4Mo4Sn4Si0.5	3.7185	-	-	-	-	-	-	-	-
Trade names												
Iron based alloys												
S2.0.Z.UT/S2.0.Z.AN	20.11	Incoloy 800										
Nickel based alloys												
S2.0.Z.AN	20.2	Haynes 600										
S2.0.Z.AN	20.2	Nimocast PD16										
S2.0.Z.AG	20.2	Nimonic PE 13										
S2.0.Z.AG	20.2	Rene 95										
S2.0.Z.AN	20.21	Hastelloy C										
S2.0.Z.AN	20.21	Incoloy 825										
S2.0.Z.AN	20.21	Inconel 600										
S2.0.Z.AN	20.21	Monel 400										
S2.0.Z.AG	20.22	Inconel 700										
S2.0.Z.AG	S2.0.Z.AG	Inconel 718										
S2.0.Z.AG	20.22	Mar - M 432										
S2.0.Z.AG	20.22	Nimonic 901										
S2.0.Z.AG	20.22	Waspaloy										
S2.0.C.NS	20.24	Jessop G 64										
Cobalt alloys												
S3.0.Z.AG	20.3	Air Resist 213										
S3.0.Z.AG	20.3	Jetalloy 209										
H Hardened materials	Hardened materials											
	H1.2.Z.HA	04.1	X100CrMo13	1.4108	-	-	2258 08	440A	-	-	-	C4BS
	H1.3.Z.HA	04.1	X110CrMoV15	1.4111	-	-	2534 05	610	-	-	-	AC4A
	H1.2.Z.HA	04.1	X65CrMo14	-	-	-	2541 06	0-2	-	-	-	AC4A

ISO 13399 is an international standard that strives to simplify the exchange of data for cutting tools. You will notice a slight difference through the new parameters and descriptions of each tool.

For the first time ever, there is a standardized way of describing product data regarding cutting tools. When all tools in the industry share the same parameters and definitions, communicating tool information becomes very straightforward.

What does this mean to you?

Basically, it means that your systems can talk to ours, as they all speak the same language. Download product data from our web site and use it directly in your CAD/CAM software to assemble tools that you use in production. No need to look for information in catalogues and interpret data from one system to another. Imagine how much time this will save you!

Short name	Preferred Name
ADJLN	Minimum adjustment limit
ADJLX	Maximum adjustment limit
ADJRG	Adjustment range
ALP	Clearance angle axial
AN	Clearance angle major
ANN	Clearance angle minor
APMX	Depth of cut maximum
APMX_EFW	Depth of cut maximum - end feed
APMX_FFW	Depth of cut maximum - side feed
AZ	Maximum plunge depth
B	Shank width
BAWS	Body angle workpiece side
BAMS	Body angle machine side
BBD	Balanced by design
BBR	Balanced by rotational test
BCH	Corner chamfer length
BD	Body diameter
BHTA	Body half taper angle
BN	Face land width
BS	Wiper edge length
BSG	Basic standard group
BSR	Wiper edge radius
CBMD	Chip breaker manufacturer
CDX	Cutting depth maximum
CEMR	Cutting edge major radius
CF	Spot chamfer
CHBA	Chamfer body angle
CHBL	Chamfer body length
CHW	Corner chamfer width
CICT	Cutting item count
CICT _{BALL}	Cutting item count - Ball nose insert
CICT _E	Cutting item count - end position
CICT _P	Cutting item count - peripheral position
CICT _S	Cutting item count - side position
CICT _{SP}	Cutting item count - Shank protection insert
CICT _T	Cutting item count - total
CND	Coolant entry diameter
CNSC	Coolant entry style code
CNT	Coolant entry thread size
COATING	Coating
CP	Max coolant pressure
CRKS	Connection retention knob thread size
CRNT	Coolant radial entry thread size
CTPT	Operation type
CUTDIA	Work piece parting diameter maximum
CW	Cutting width
CWN	Minimum cutting width
CWTOLL	Cutting width lower tolerance
CWTOLU	Cutting width upper tolerance
CWX	Cutting width maximum
CXSC	Coolant exit style code
CZC	Connection size code
CZC _{MS}	Connection size code machine side
CZC _{WS}	Connection size code workpiece side
D1	Fixing hole diameter
DAH	Diameter access hole
DAXIN	Axial groove inside diameter minimum
DAXN	Minimum axial groove outside diameter

DAXX	Axial groove outside diameter maximum
DBC	Diameter bolt circle
DC	Cutting diameter
DCB	Connection bore diameter
DCBN	Connection bore diameter minimum
DCBX	Connection bore diameter maximum
DCF	Cutting diameter face contact
DCIN	Cutting diameter internal
DCN	Cutting diameter minimum
DCON	Connection diameter
DCON _{MS}	Connection diameter machine side
DCON _{WS}	Connection diameter workpiece side
DCONN _{WS}	Connection diameter minimum workpiece side
DCONX _{WS}	Connection diameter maximum workpiece side
DCPS	Data chip provision size
DCSF _{MS}	Contact surface diameter machine side
DCSF _{WS}	Contact surface diameter workpiece side
DCX	Cutting diameter maximum
DHUB	Hub diameter
DIX	Tool changer interference diameter maximum
DMIN	Minimum bore diameter
DMM	Shank diameter
DN	Neck diameter
DRVCT	Drive count
DSGN	Design
EPSR	Insert included angle
FHA	Flute helix angle
FLGT	Flange thickness
FTDZ	For thread diameter size
GB	Face land angle
H	Shank height
HA	Thread height theoretical
HB	Thread height difference
HBH	Head bottom offset height
HC	Thread height actual
HF	Functional height
HRY	Lowest point from reference plain
HSUP	Support height
HTB	Body height
HTH	Height
IC	Inscribed circle diameter
INSL	Insert length
INSUC	Insert usage code
IZC	Insert size code
KAPR	Tool cutting edge angle
KAPR_EFW	Tool cutting edge angle - end feed
KCH	Corner chamfer
KRINS	Major cutting edge angle
KWW	Keyway width
L	Cutting edge length
LAMS	Inclination angle
LB	Body length
LCF	Length chip flute
LCOX	Cut off length maximum
LE	Cutting edge effective length
LF	Functional length
LFN	Minimum functional length
LH	Head length
LPR	Protruding length
LS	Shank length
LSC	Clamping length
LSCN	Clamping length minimum
LSCS	Distance to clamping start
LSCX	Clamping length maximum
LSD	Dead shank length
LU	Usable length (max. recommended)
LU_BFW	Usable length - back facing
LUX	Usable length maximum
MHD	Mounting hole distance
MIID	Master insert identification
MIID _E	Master insert identification - end position
MIID _S	Master insert identification - side position
MIID _C	Master insert identification - central position
MIID _P	Master insert identification - peripheral position
MIID _I	Master insert identification - intermediate position
MMCC	Code for preset torque
MMCX	Max. cutting torque
NOF	Flute count
NT	Tooth count
OAH	Overall height
OAL	Overall length
OAW	Overall width
OH	Overhang recommended
OHN	Overhang minimum

OHX	Overhang maximum
ORDCODE	Ordercode
PCL	Peripheral cylindrical length
PDX	Profile distance ex
PDY	Profile distance ey
PHD	Premachined hole diameter
PHDX	Maximum premachined hole diameter
PL	Point length
PNA	Profile included angle
PRFRAD	Profile radius
PRSPC	Profile specification
PSIR	Tool lead angle
PSIRL	Cutting edge angle major left hand
PSIRR	Cutting edge angle major right hand
PSW	Premachined slot width
RADH	Radial body height
RADW	Radial body width
RAR	Right hand relief angle
RE	Corner radius
REEQ	Corner radius equivalent
REL	Corner radius left
RER	Corner radius right
RETOLL	Corner radius lower tolerance
RETOLU	Corner radius upper tolerance
RGL	Regrind length
RMPX	Maximum ramping angle
RPMX	Rotational speed maximum
S	Insert thickness
SDL	Step diameter length
SIG	Point angle
SPTL	Splitline
SSC	Insert seat size code
SSC _E	Insert seat size code - end position
SSC _P	Insert seat size code - peripheral position
SSC _S	Insert seat size code - side position
STA	Step included angle
STDNO	Standard number
SUBSTRATE	Substrate
TCDC	Tolerance class cutting diameter
TCDCON	Connection diameter tolerance
TCDMM	Shank diameter tolerance
TCHA	Achievable hole tolerance
TCHAL	Achievable hole tolerance lower
TCHAU	Achievable hole tolerance upper
TCT	Tolerance class tool
TCTR	Thread tolerance class
TD	Thread diameter
TDZ	Thread diameter size
TFLA	Tap floating length ahead
TFLB	Tap floating length behind
TG	Taper gradient
THBTP	Thread back taper property
THCA	Thread helix correction angle
THCHT	Threading chamfer type
THFT	Form type
THFTS	Thread form standard series
THL	Thread length
THUB	Hub thickness
TP	Thread pitch
TPI	Threads per inch
TPIN	Threads per inch minimum
TPIX	Threads per inch maximum
TPN	Thread pitch minimum
TPT	Thread profile type
TPX	Maximum thread pitch
TRMAX	Tap range max
TQ	Torque
TSYC	Tool style code
TPP	Thread type
ULDR	Usable length diameter ratio
VCX	Maximum cutting speed
W1	Insert width
WB	Body width
WF	Functional width
WFCIRP	Width to cutting item reference point
WSC	Clamping width
WT	Weight of item
ZADJ	Insert adjustable count
ZEFF	Face effective cutting edge count
ZEFP	Peripheral effective cutting edge count (ZEFP)
ZWX	Maximum number of Wiper inserts